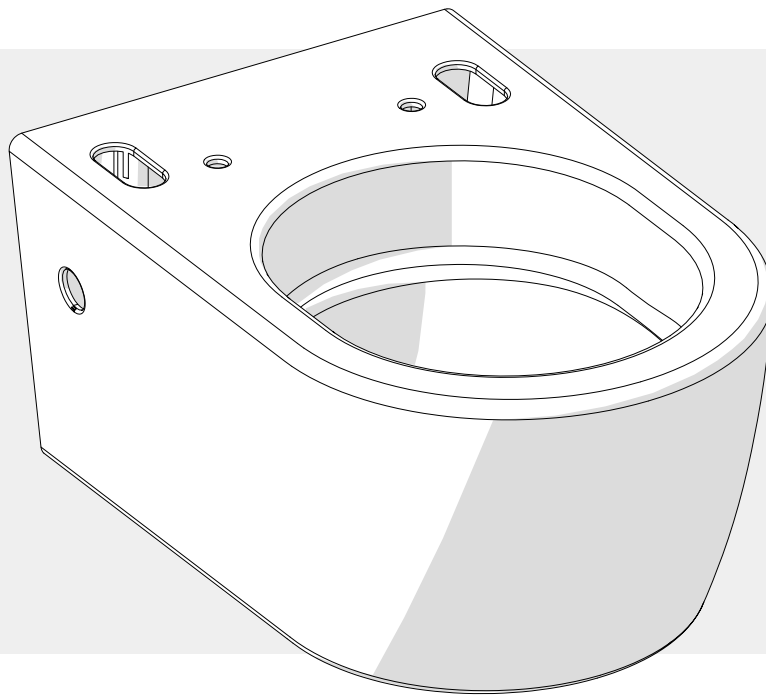


AKW
Life Made Better

Wall Hung Pan for AKW Bidet

INSTALLATION INSTRUCTIONS

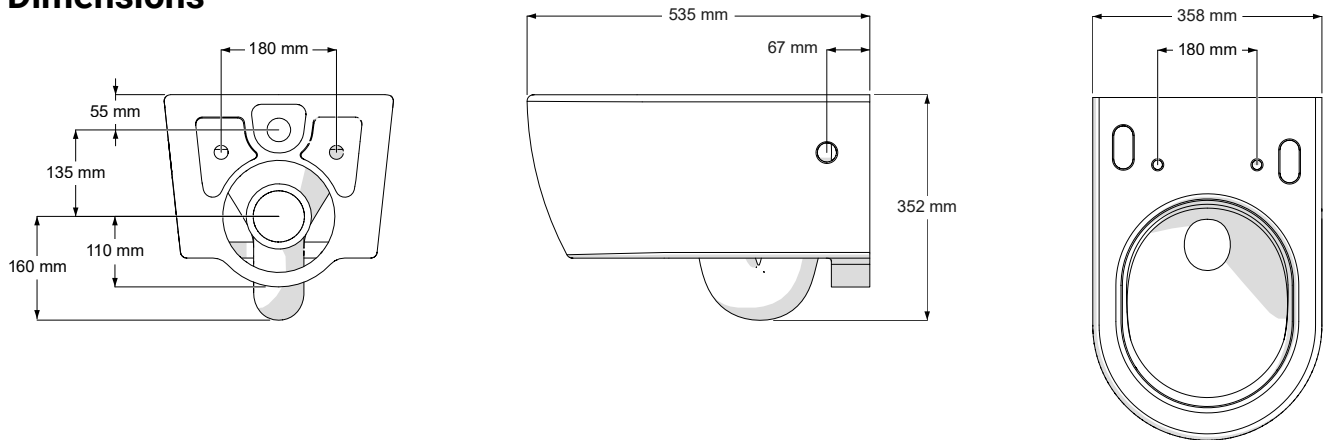


Stock Code
28405

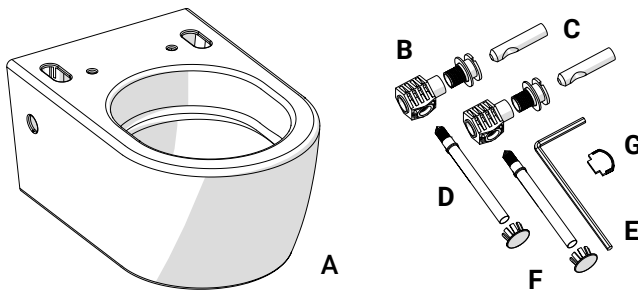
Please read all instructions before installation and leave this document with the end user for future reference as it contains important warranty information.

Important Information

Dimensions



Parts Supplied



Parts	Qty.
A Wall hung toilet pan	1
B Bracket, washer, and nut	2
C Threaded sleeve	2
D Grub screw and sleeve	2
E Hex key	1
F Blanking plug	2
G Key	1

Installation must be carried out in accordance with these instructions, and must be conducted by a qualified and competent installer.

- This product must be installed in compliance with the Water Regulations. An isolating valve should be fitted to the cold water supply.
- Access to the water supplies and fixings must be made available for future maintenance and servicing. Make sure that all fixing holes are used and do not over-tighten the fixings.
- Ensure that the water inlet, waste outlet, electric supply and mounting studs are already installed before this pan's installation. Refer to internal wall cistern installation instructions for more details about connecting the water and electrical supplies for the AKW Bidet.
- Note, water inlet and outlet pipework are not supplied.

Safety

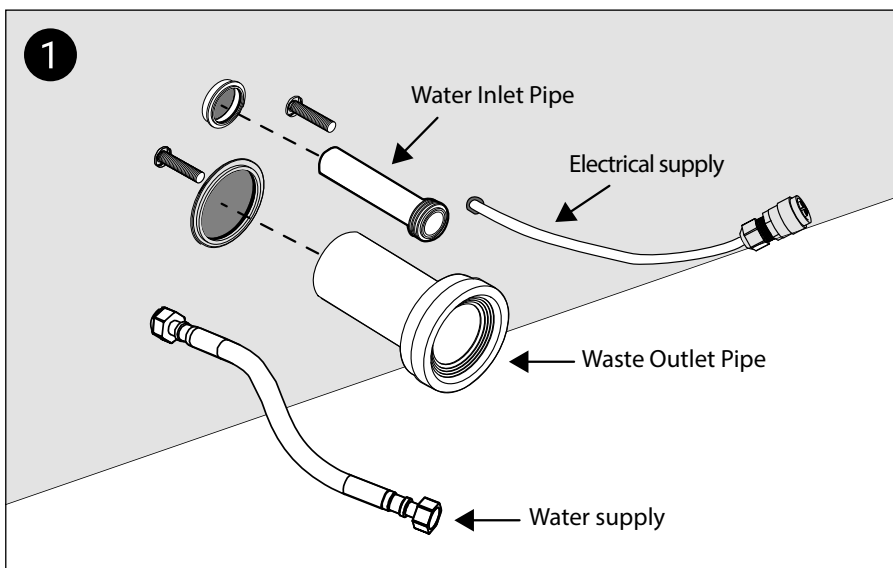
- Handle ceramics with extreme care.
- This product is heavy and may require two people to carry.
- Have the correct tools available.
- When drilling walls or floors, check first for hidden pipes and cables.
- Use safety eye wear when drilling.
- Keep small parts and packaging away from children.



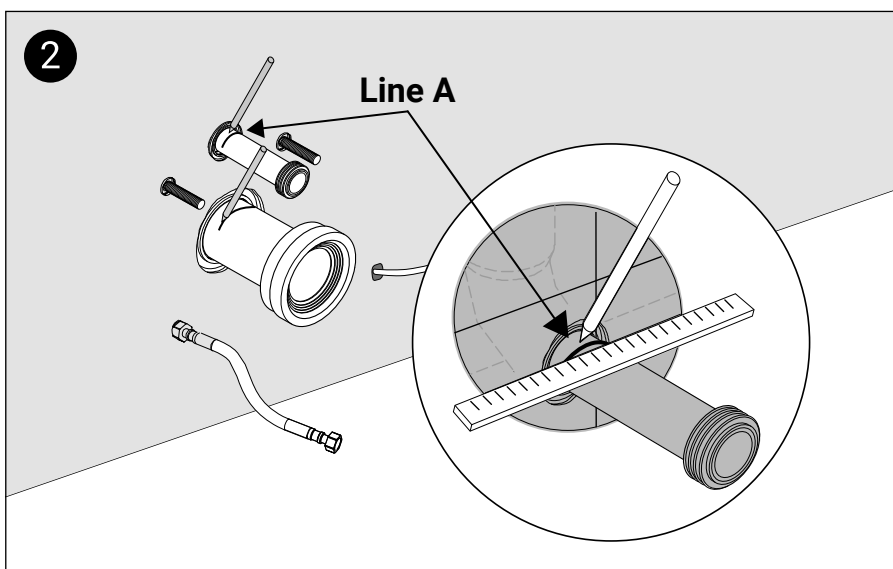
Important! Isolate the water supply before beginning installation. Ensure that the floor area is clear of anything that could damage the ceramic during installation. Carefully measure and install all necessary pipework prior to installing the toilet pan and AKW Bidet.

Before you start

Remove all protective covering and examine the product. Check that all items are present before discarding any packaging. Notify the retailer immediately of any damage or faults. The manufacturer cannot be held responsible for any installation costs that may arise from damaged or faulty products being installed and not in accordance with these instructions. Dispose of all packaging in accordance with the local recycling authorities.



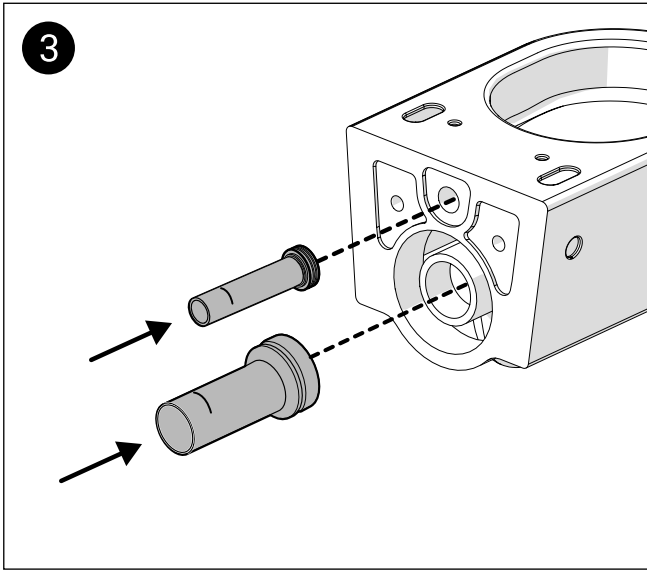
Insert the water inlet and outlet pipes into the pipe hubs in the wall and ensure a firm connection. Fit the finned rubber seal onto the water inlet pipe.



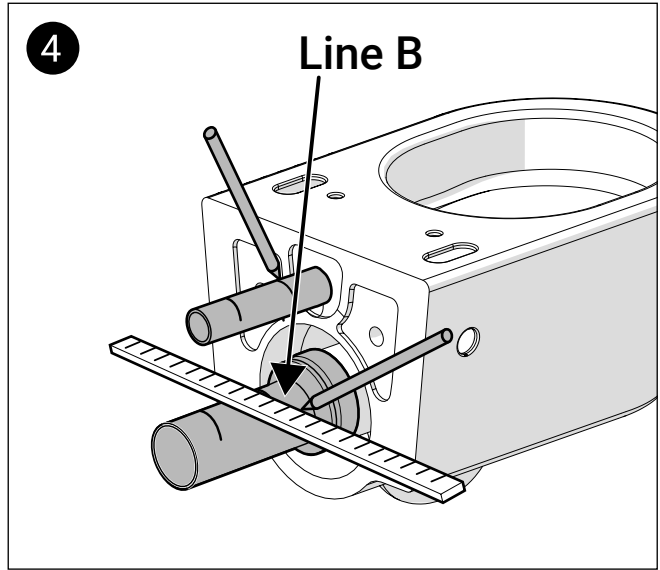
When the pipe is fully inserted, place a straight edge flush against the wall to mark Line A on both pipe connectors. Then carefully remove both pipes.



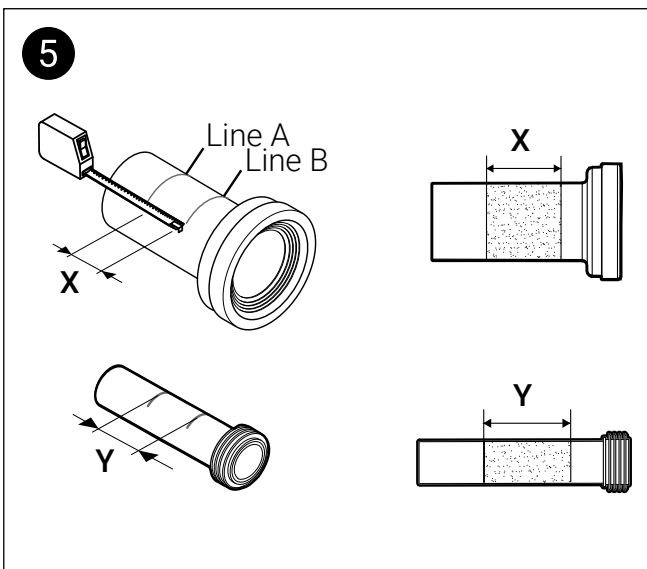
Installation



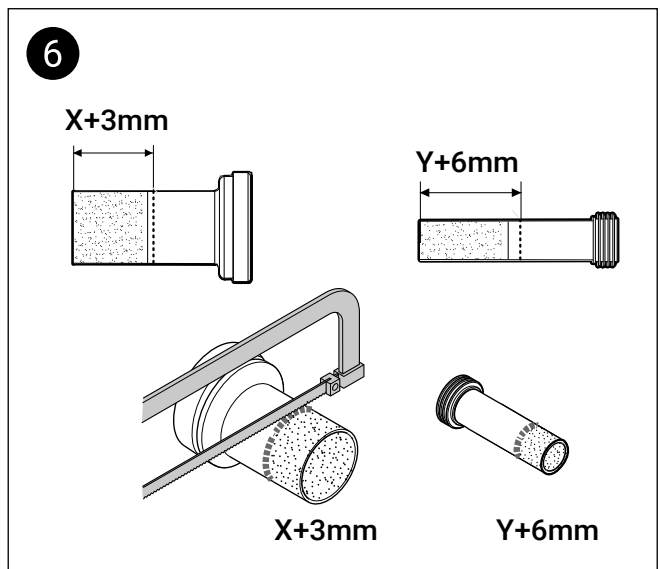
Insert the water inlet and outlet pipes into the back of the toilet pan and ensure they are fully inserted.



Use a straight edge across the back of the toilet pan to mark a new Line B on both pipes. Then carefully remove both pipes again.

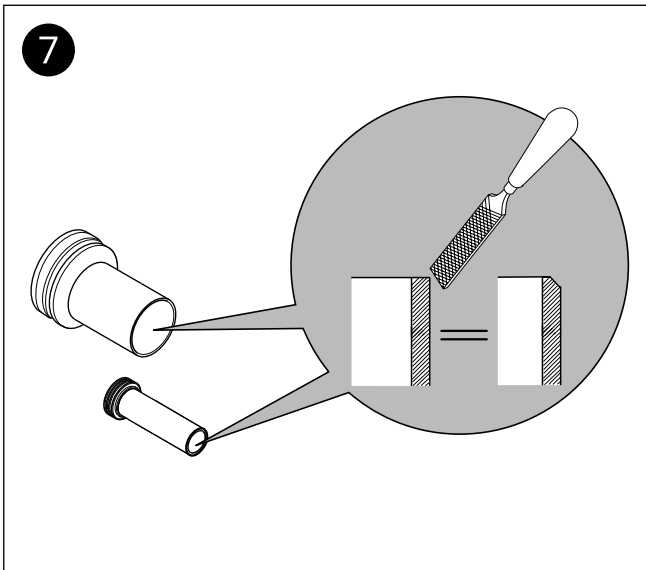


For the solid pipe connectors, measure the distance between line A and line B to make X and Y dimensions on the pipework. Flexible pipe connectors may vary.

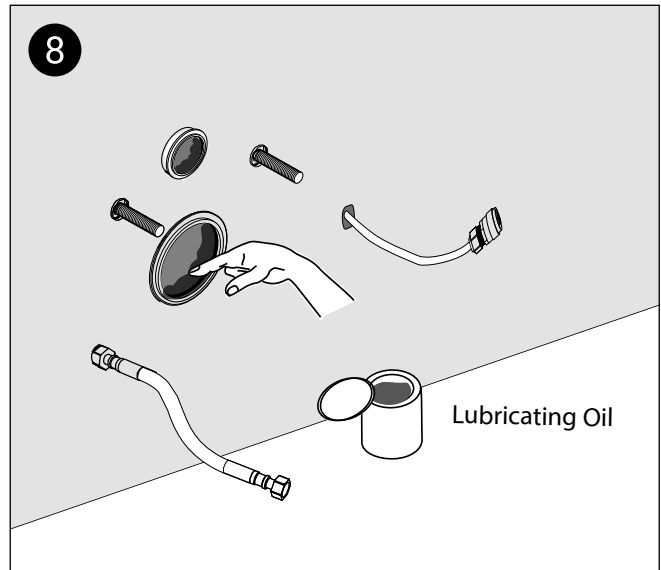


Add 3 mm to X and 6 mm to Y. Using those dimensions, mark another line from the hub side. Cut at the new line to remove the excess distance.

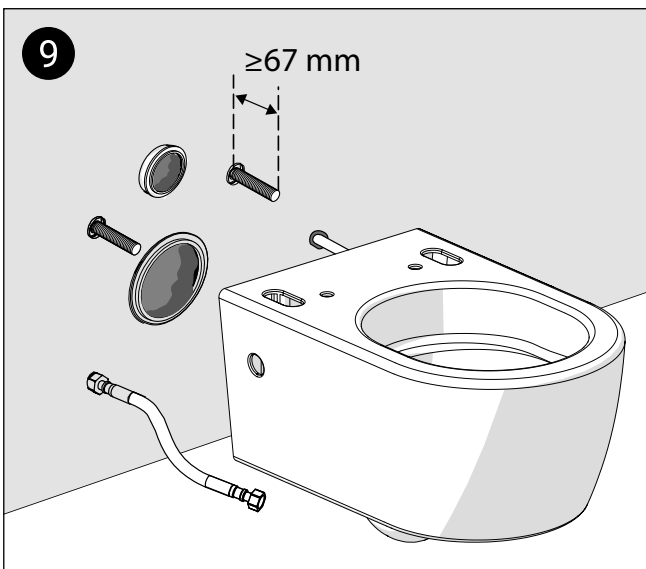




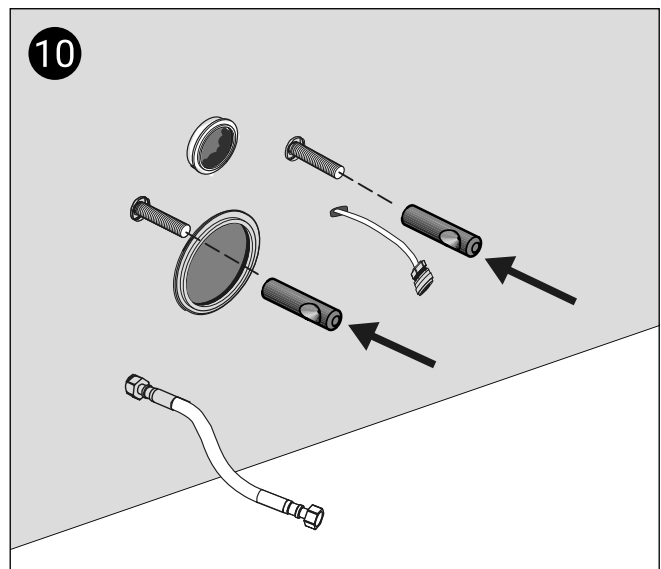
Smooth the sharp cut edges to ensure they push onto the cistern pipe hubs in the wall.



Spread lubricating oil around the inside of the hubs.

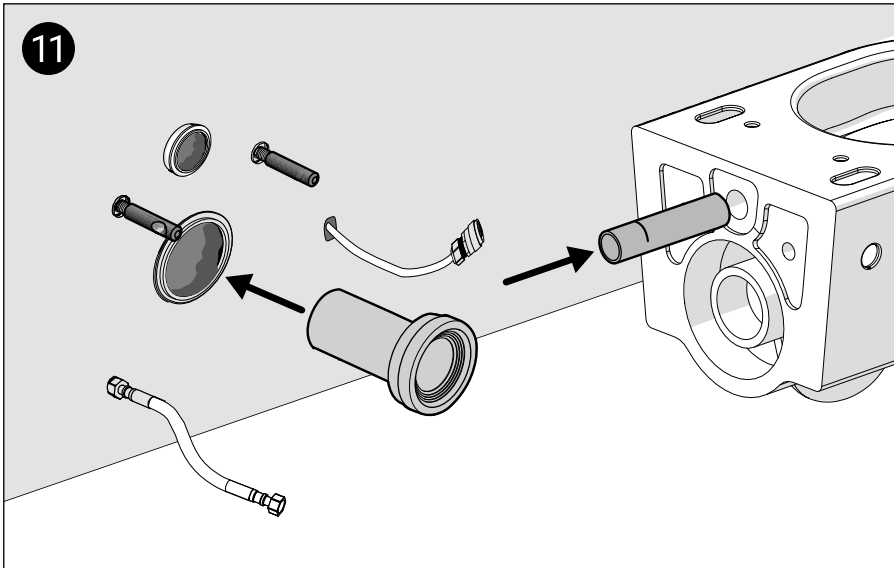


Ensure that the studs are greater than 67 mm out from the wall so that the grub screw can connect to the threaded sleeves.

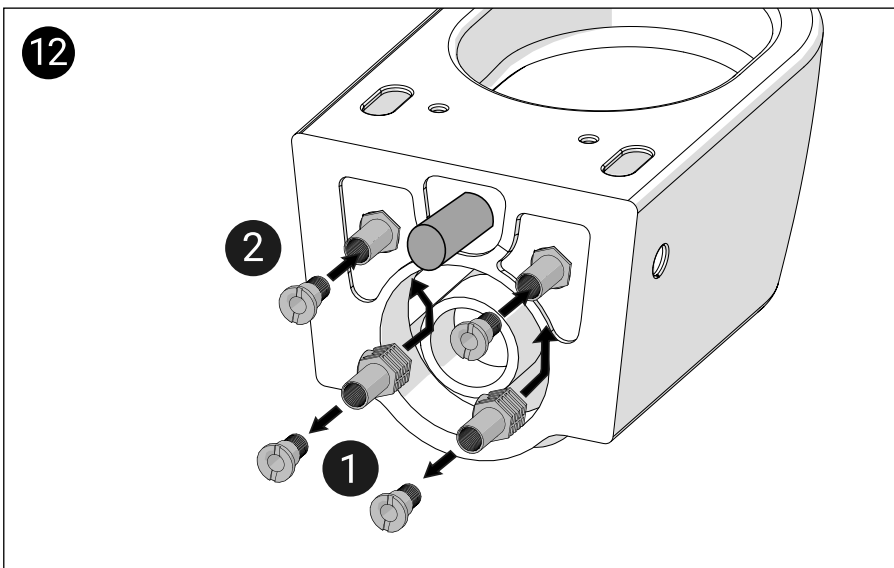


Screw the threaded sleeves (C) on to the studs.

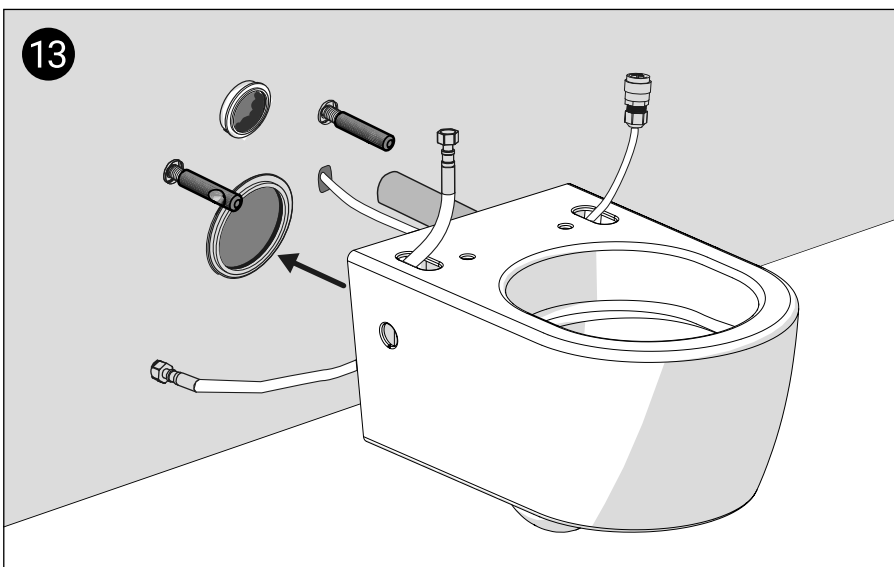




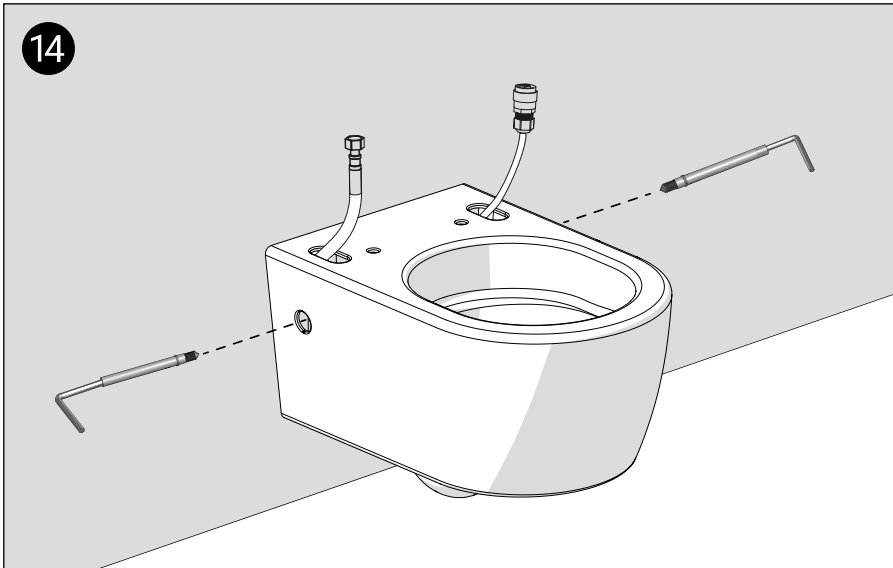
Reattach the water inlet pipe onto the pan and insert the water outlet pipe connector into the wall hub onto the outlet pipe.



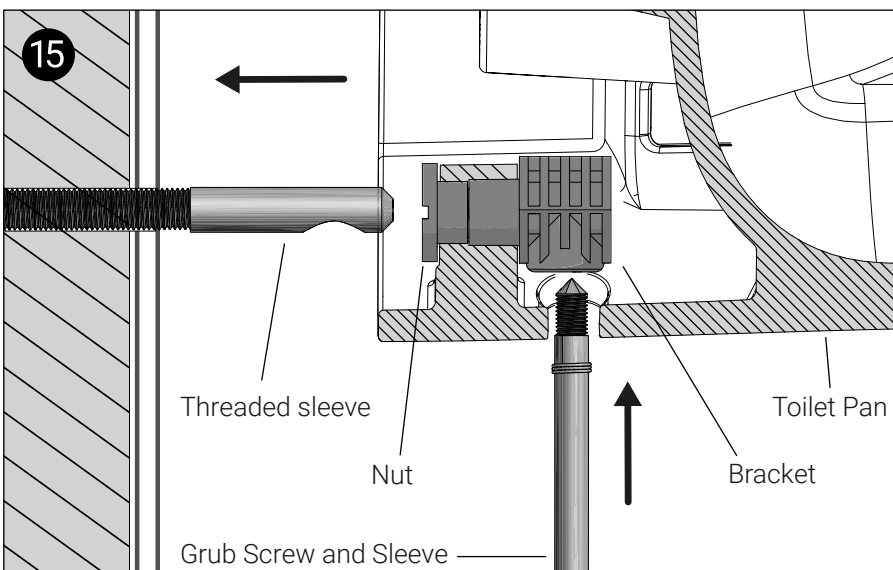
Install the nylon fixing brackets, washer and nut (B) onto the rear of the toilet pan as shown.



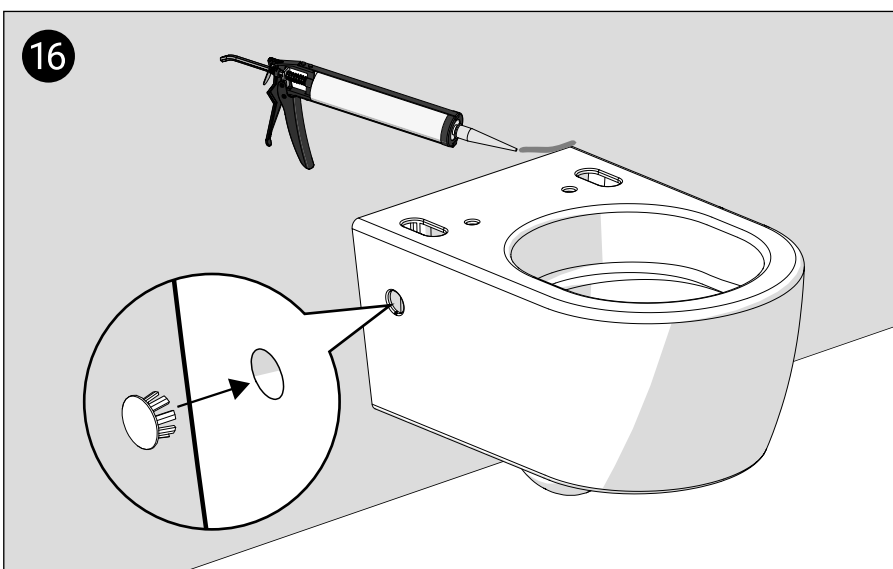
Reposition the toilet pan and check everything is aligned. Feed the flexi hose and cable through the holes in the pan. Slide the toilet pan onto the threaded sleeves (C).



Ensure that the pan is flush with the wall. Using the allen key (E) and the grub screw and sleeve (D). Insert through the holes in the side of pan.



Carefully locate the nylon bracket and securely tighten both sides evenly. Do not over tighten or damage the ceramic.



Insert the blanking plugs. Apply sealant to the edge of the pan where it meets the wall, then remove any excess.



Contact Us

AKW
Life Made Better

Orders & Quotes

01905 823 299
orders@akw-ltd.co.uk

General Enquiries

01905 823 298
sales@akw-ltd.co.uk

Technical Enquiries

01905 560 219
tech@akw-ltd.co.uk

Kitchen Enquiries

01905 823 262
kitchens@akw-ltd.co.uk

Fax

01905 823 297

AKW

Pointon Way, Hampton Lovett
Droitwich Spa, WR9 0LR

www.akw-ltd.co.uk
orders.akw-ltd.co.uk

Follow us on Social:



Warranty

Warranty applies only to manufacturing or material defects, conditional on the one-time correct installation of the product. It does not apply to:

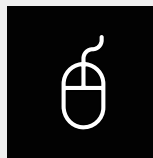
- Inappropriate use or accidental damage.
- Damage or defects that result from incorrect installation.
- Lack of maintenance including the build up of grime or damage resulting from inappropriate cleaning.
- Damage or defects that result from repairs or modifications undertaken by unauthorised persons.
- General wear and tear through usage and does not apply to surface finishes.

Warranty period starts from the date of installation. See the T&Cs on our website for further information.

Select 1 of 2 ways to activate your warranty



1. Scan using your Smart Device



2. Visit Online

akw-ltd.co.uk/warranty-information

What to do if something goes wrong?

In the event that you encounter a problem with this product, follow the trouble shooting guide if applicable, then contact your local installer. If the issue is still unresolved, contact AKW Technical Enquiries who will provide further advice and arrange for a maintenance engineer to visit if necessary. None of the foregoing affects your statutory rights.