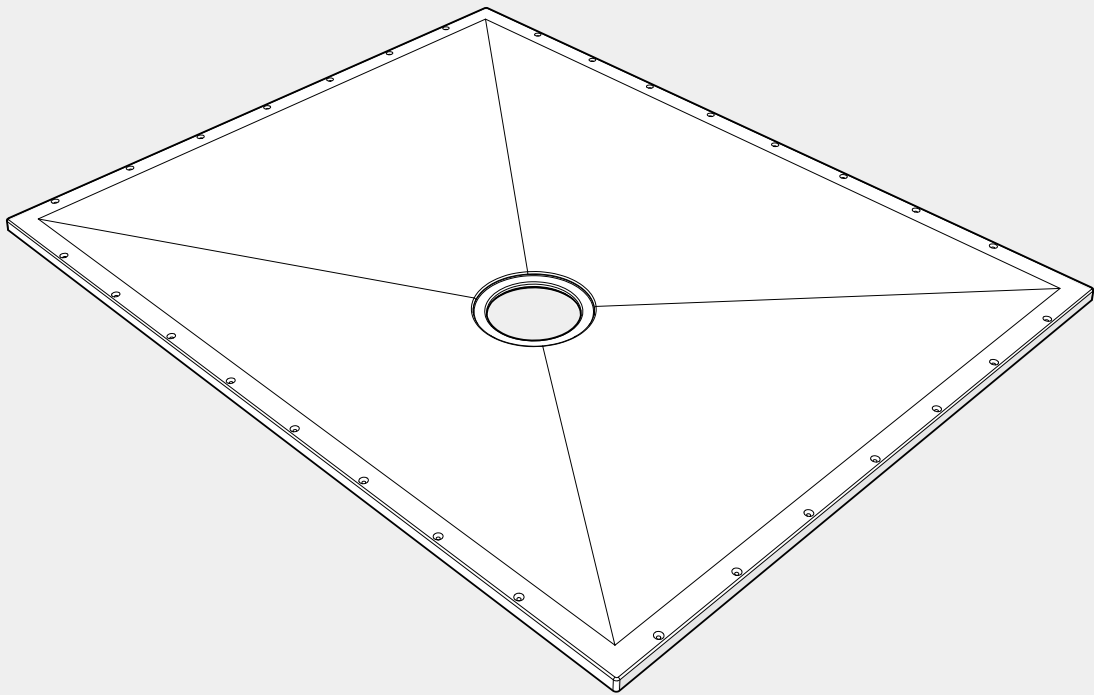




Tuff Form® Wet Room Former

INSTALLATION AND USER CARE INSTRUCTIONS



Please read all instructions before installation and leave this document with the end user for future reference as it contains important warranty information

Important Information

Features

The Tuff Form former has a maximum weight capacity of 381 kg / 840 lb / 60 stone. Do not exceed this rating.

Each side of the former can be cut down to within 150 mm of the waste area. If none of the standard sizes are suitable, a custom size can be created by trimming any of the sides.



Cut edge of the tray not to be placed at the entrance of the shower, and needs to go against a wall or solid surface.

Tuff Form formers are designed to be installed in concrete floors or in wooden floors.

Tuff Form formers can be tiled over or covered with safety flooring.

Multiple wastes options are available for both tiled and vinyl floor installs.

The formers have a non-central waste hole to avoid joists.

The thermal properties of Tuff Form formers allow for electrical underfloor heating to be installed on top of the former.

Safety

Read these instructions in full before commencing any work.

Installation not in accordance with these instructions will invalidate the warranty.

Turn the mains electricity supply off before starting any work.

Never use power tools while standing on a wet surface.

Be careful of any buried pipework or cables.

General Considerations

Observe the various positions of the waste hole relative to any joists or existing pipework or cables. Rectangular formers have two waste positions, attainable by rotating the tray by 180°. Square formers have four waste positions; rotate the tray by 90°. Determine the best position for routing the waste pipe.

For wooden floor installs, add joists/noggins as required so that:

- a) all four of the former's edges are supported, and
- b) there is a supporting beam every 350-400 mm.

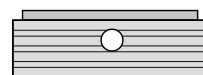
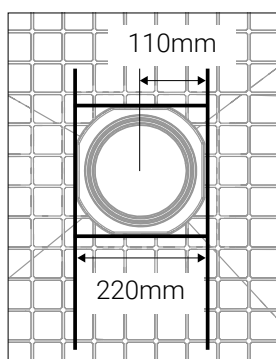
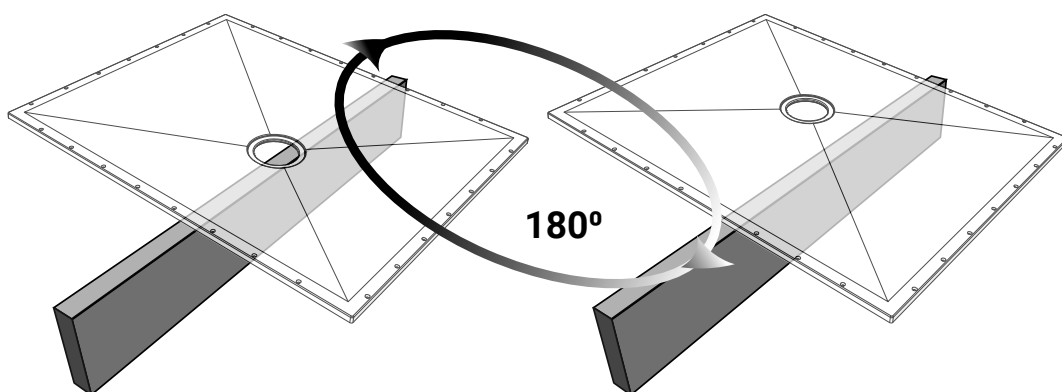
The waste area must be supported on all four sides. For wooden floors, this requires using noggins within 110 mm of the centre of the waste.

For tiled floors, a waterproofing membrane is needed to seal the interface between the wall and the former. Lightly roughen former's surface before applying the membrane.

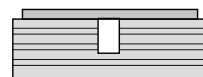
If underfloor heating is used, create a slightly deeper recess in the floor in order to account for the height of the heating elements.

If joists need to be cut in order to route the waste pipe through them, cut a hole. Do not add a notch.

Ensure that the tray is level before screwing it down. Place a level on each side to confirm this.

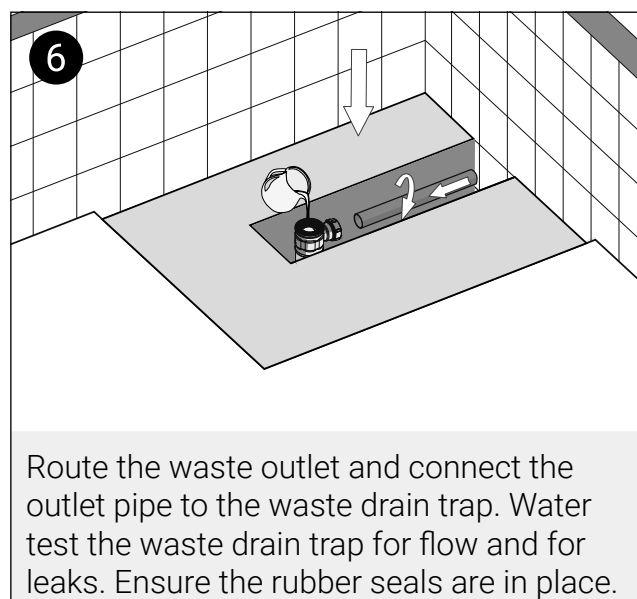
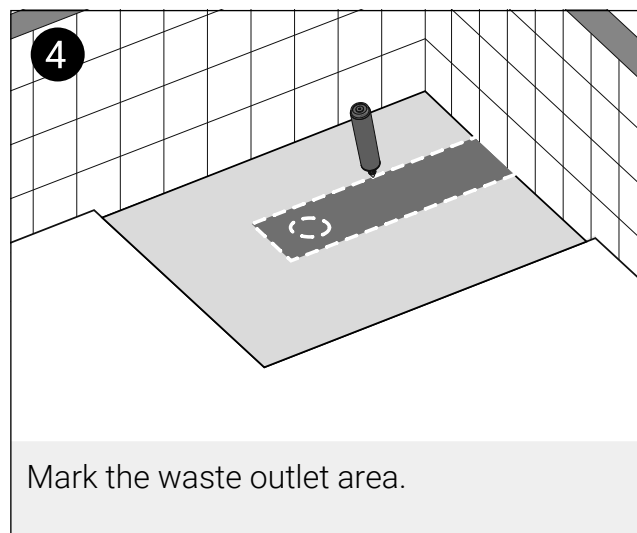
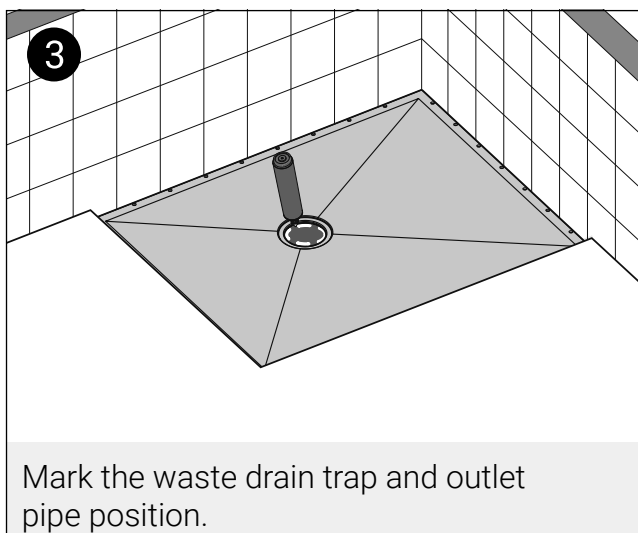
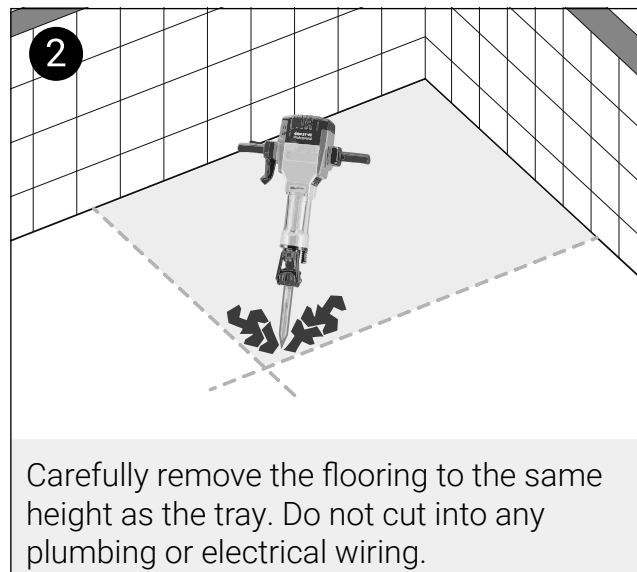
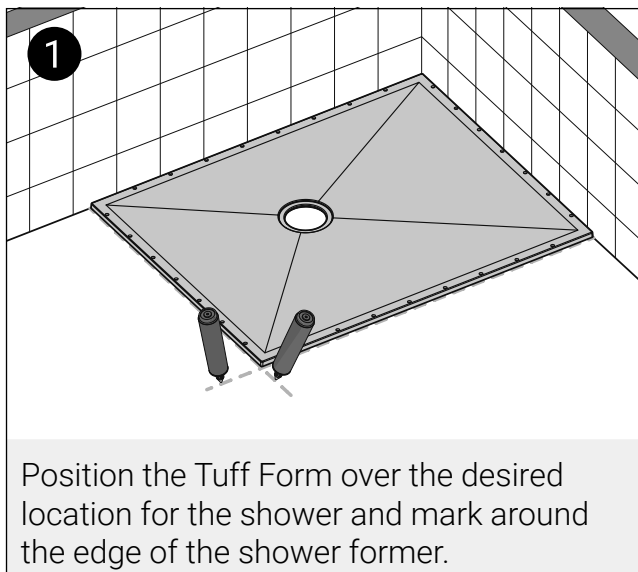


Correct

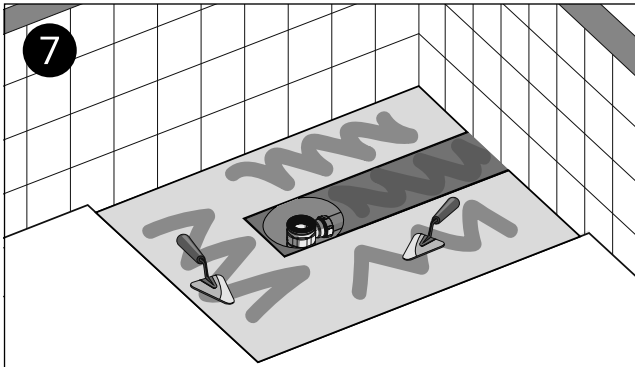


Incorrect

Screeded Floor Installation

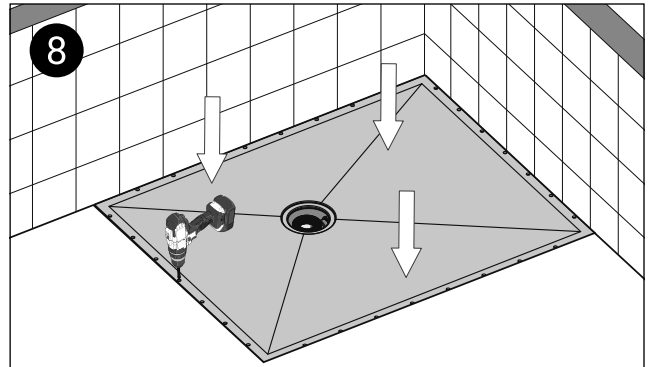


Screeded Floor Installation



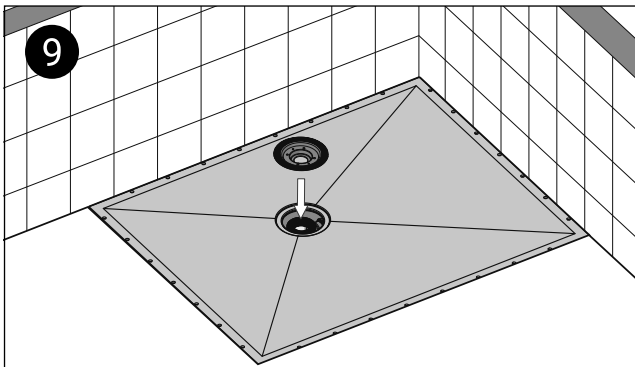
7

Add the level screeded floor, covering all of the former area. The tray must be fully supported on all edges.



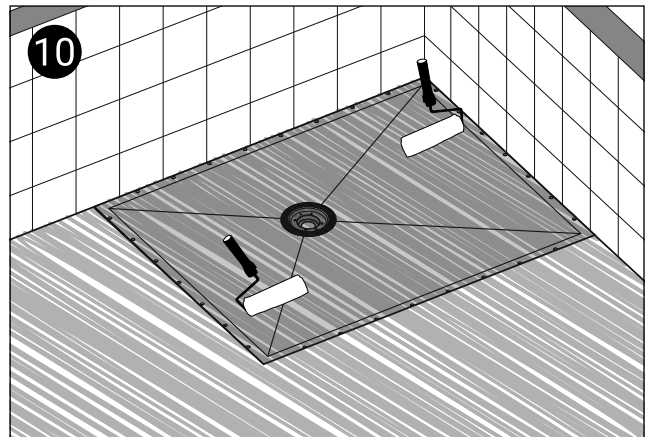
8

Lower the tray and screw to the floor. Rotate the waste drain plate to match up with the waste drain outlet position. Ensure the tray is level and fixed into place.



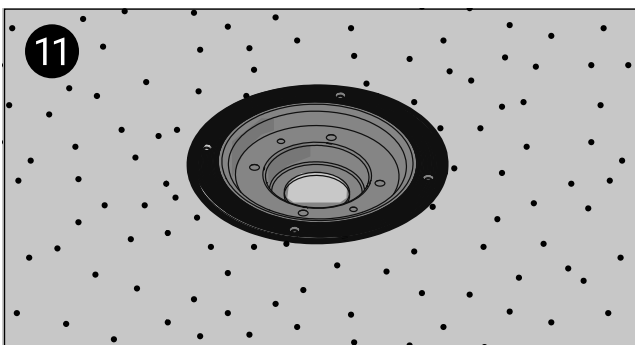
9

Screw the drain plate onto the tray and install the waste adaptor on to the drain plate, connecting to the waste trap and fix to the tray.



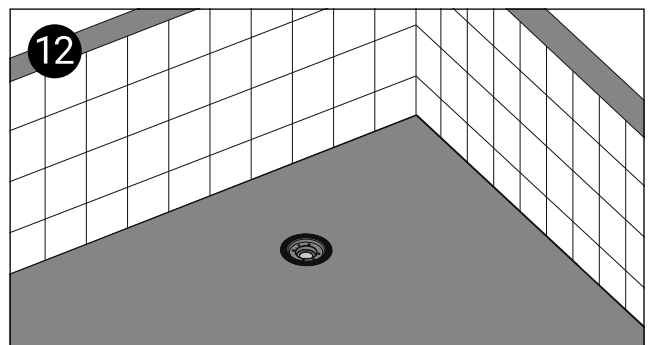
10

Cover the waste hole. Apply a waterproof tanking system to the whole showering area.



11

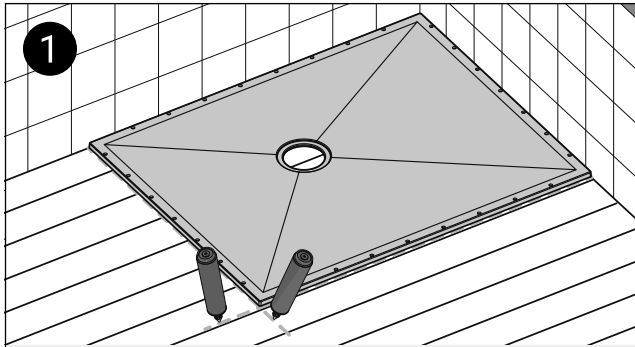
Ensure that all the edges, gaps, grooves and screw heads are filled in and level for a smooth finish.



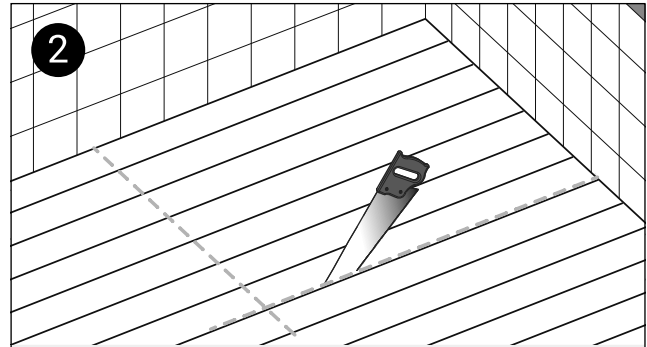
12

Install the floor covering.

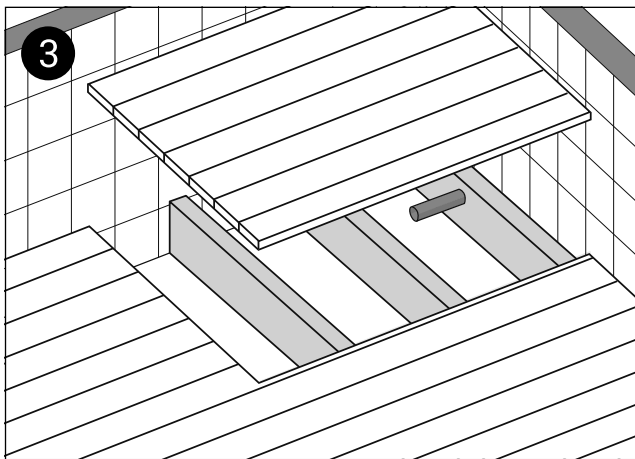
Wooden Floor Installation



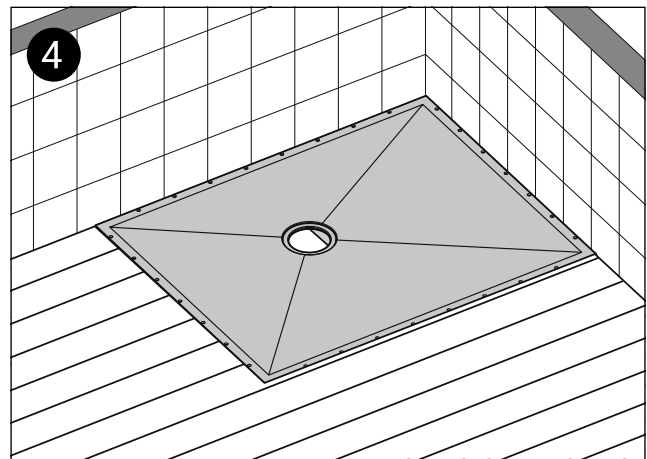
1 Position the Tuff Form over the desired location for the shower and mark around the edge of the shower former.



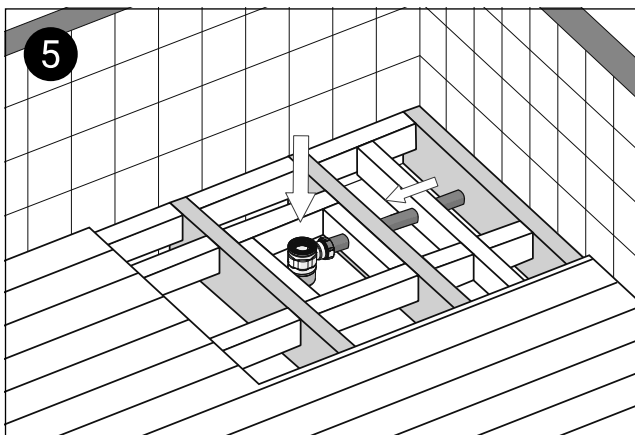
2 Cut into the flooring, taking care not to cut through supporting joists or any plumbing or electrical wiring.



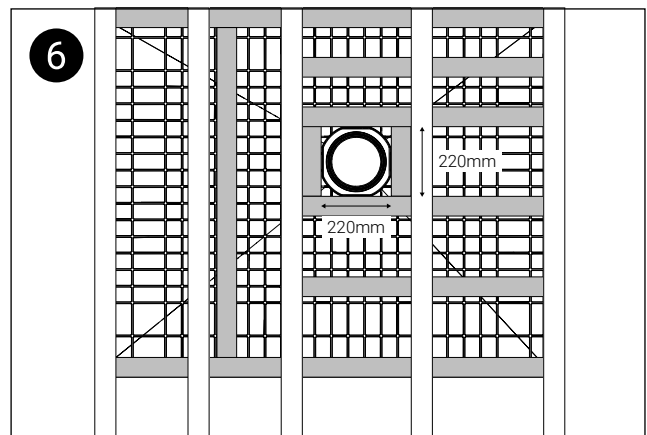
3 Carefully remove the floor boards. Locate the waste outlet pipe.



4 Remove the drain plate and determine the optimum waste outlet position. Mark and measure the waste outlet pipe.

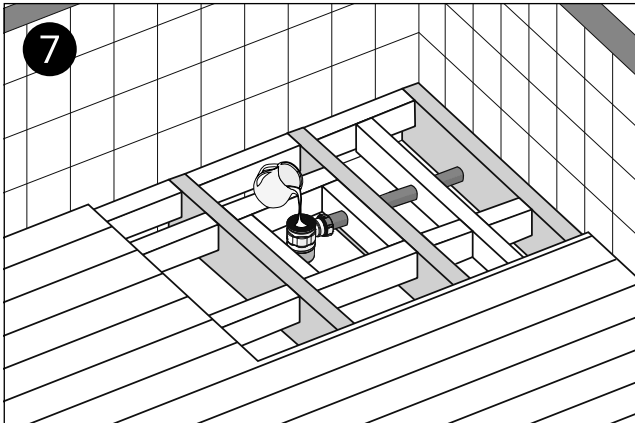


5 Do not cut into the joists, always drill through when installing the waste drain trap and waste outlet pipe.

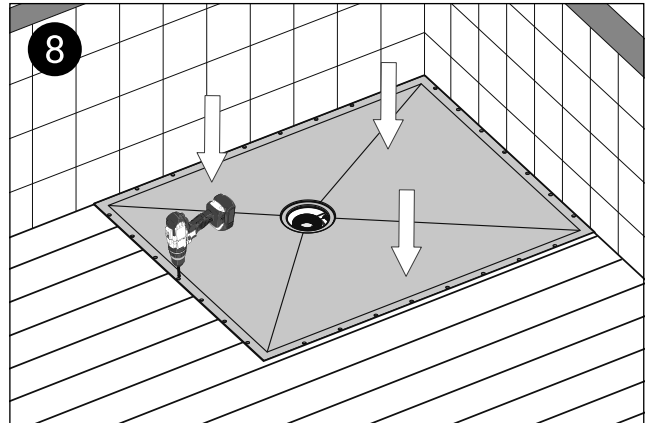


6 The drain plate area must be supported with additional noggins 220 mm around the waste and on all four external edges. Additional noggins must be used where necessary.

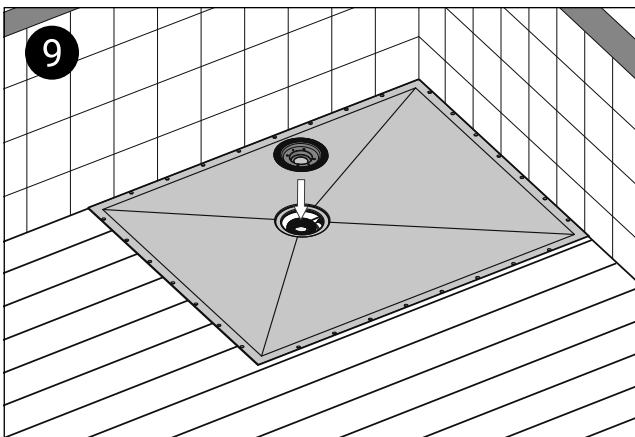
Wooden Floor Installation



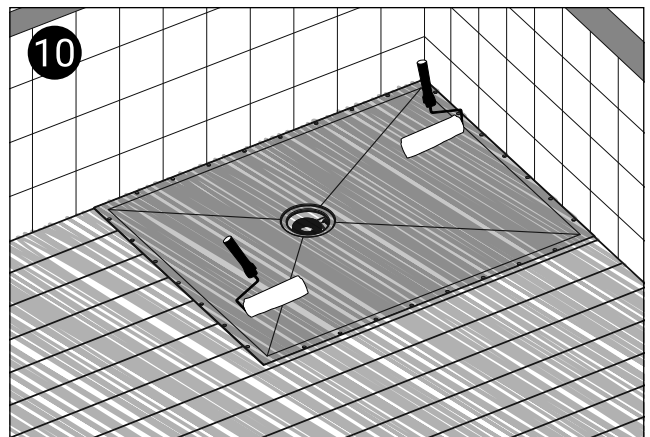
7
Water test the waste drain trap for flow and for any leaks and ensure that the rubber seals are in place.



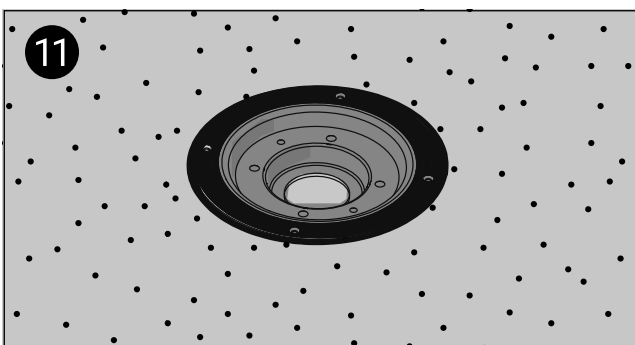
8
Lower the tray and screw to the floor. Rotate the waste drain plate to match up with the waste drain outlet position. Ensure the tray is level and fixed into place.



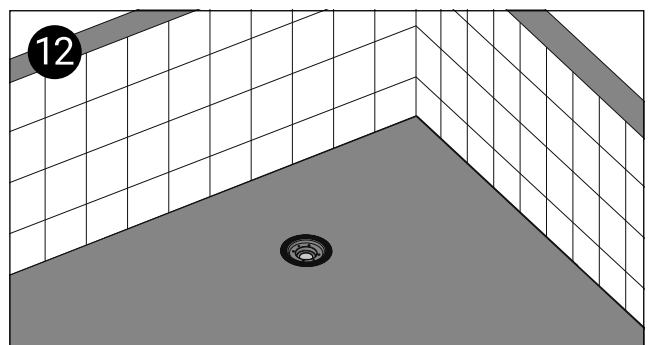
9
Screw the drain plate onto the tray and install the waste adaptor on to the drain plate, connecting to the waste trap and fix to the tray.



10
Cover the waste hole. Apply a waterproof tanking system to the whole showering area.



11
Ensure that all the edges, gaps, grooves and screw heads are filled in and level for a smooth finish.



12
Install the floor covering.

Contact Us

AKW[®]
Life Made Better

Orders & Quotes

01905 823 299
orders@akw-ltd.co.uk

General Enquiries

01905 823 298
sales@akw-ltd.co.uk

Technical Enquiries

01905 560 219
tech@akw-ltd.co.uk

Kitchen Enquiries

01905 823 262
kitchens@akw-ltd.co.uk

Fax

01905 823 297

AKW

Pointon Way, Hampton Lovett
Droitwich Spa, WR9 0LR

www.akw-ltd.co.uk
orders.akw-ltd.co.uk

Follow us on Social:



Guarantee

The life time guarantee applies only to manufacturing or material defects, conditional on the one-time correct installation of the product.

Does not apply to:

- Inappropriate use or accidental damage.
- Damage or defects that result from incorrect installation.
- Lack of maintenance including the build up of grime or damage resulting from inappropriate cleaning.
- Damage or defects that result from repairs or modifications undertaken by unauthorised persons.
- This guarantee excludes general wear and tear through usage and does not apply to surface finishes.

What to do if something goes wrong?

In the event that you should encounter a problem with this product, please contact your local installer and if this does not resolve the issue, then contact AKW technical team who will provide further advice and, if necessary, arrange for a maintenance engineer to visit and report any issues. See the T&Cs on our website or our catalogue for further information. None of the foregoing affects your statutory rights.