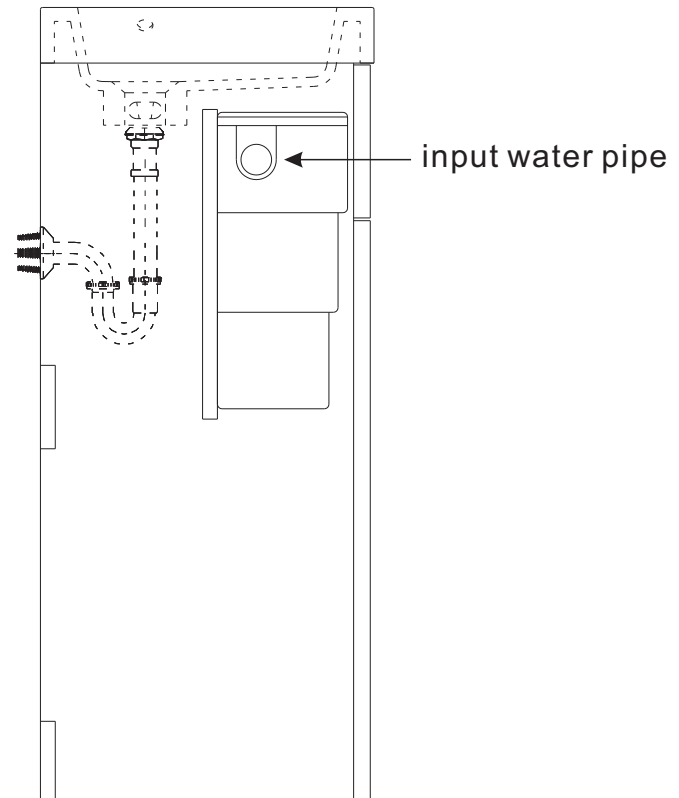
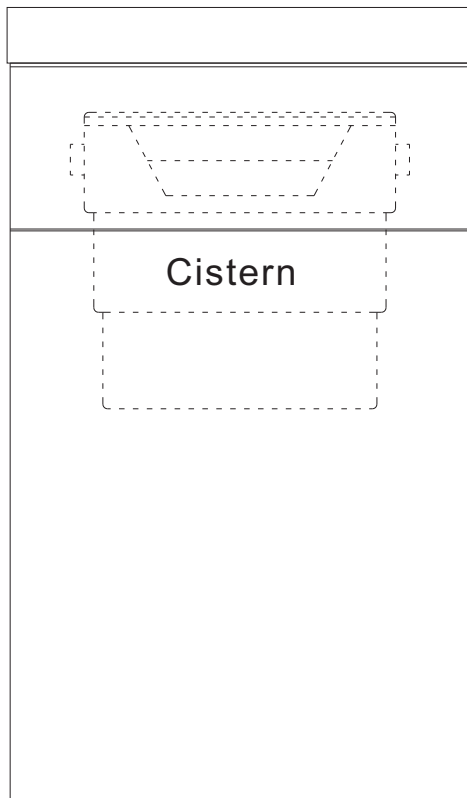
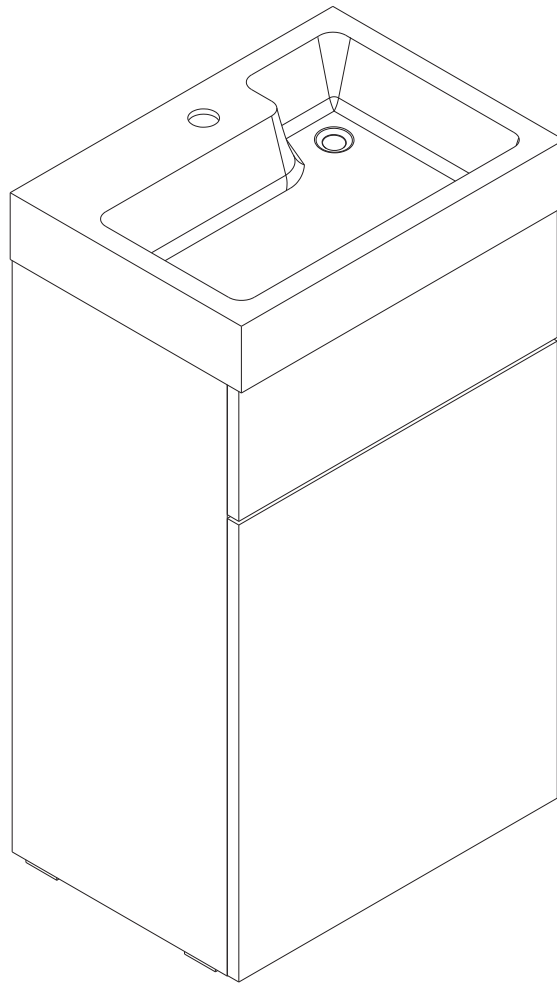
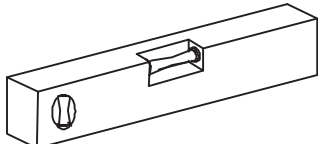
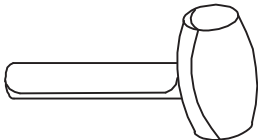
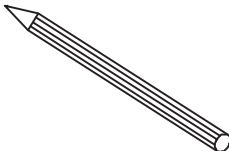
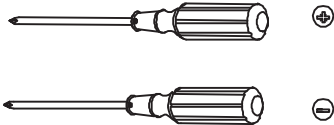
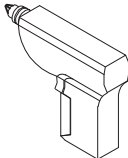
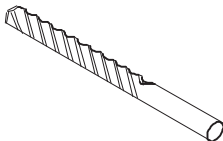
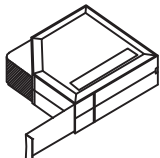
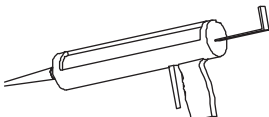
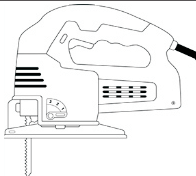


CM500



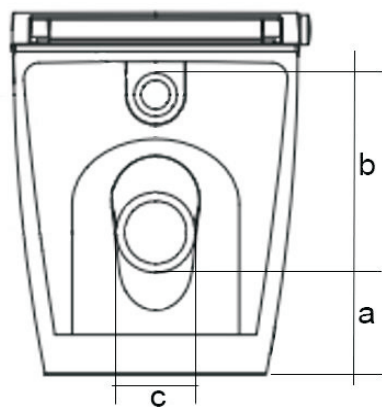
input water pipe can be Right/Left
option as valve position

Tools required for installations

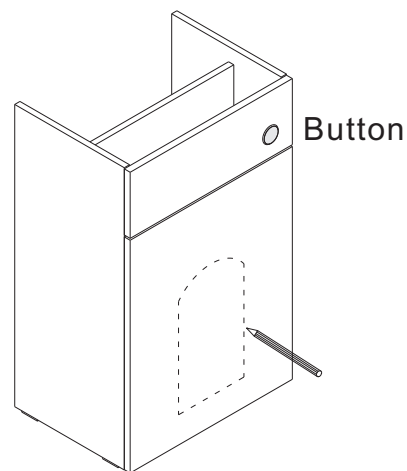
Ensure that the room is well ventilated to prevent excess moisture damage to the unit. When installing the product check for pipes and wires could be potentially damaged.

INSTALLATION INSTRUCTIONS

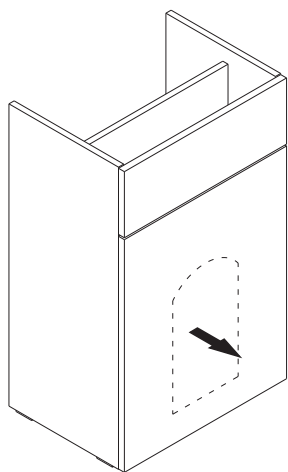


Measure the height from the floor to height a then measure height b and allow 5mm tolerance, then measure width c and allow 5mm

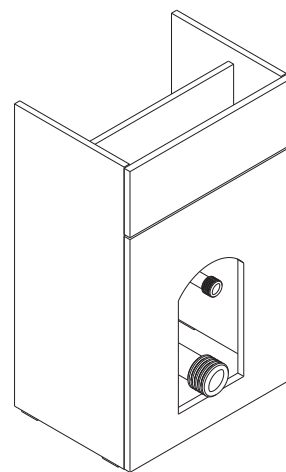
The flush button can be installed on either the left/right side



Mark these dimensions on to the front panel of the unit using a pencil



Remove the front panel from the unit and cut the hole to allow the waste pipe and flush pipe to pass from the cistern



It is recommended to seal the cut edge and bottom edge of the unit, to protect against moisture ingress

Note: For safety reasons Unit must be secured to the wall using suitable fixings (pre-drilled holes provide in back panel of unit) Please note-wall fixings are not supplied These can be purchased from a local DIY store

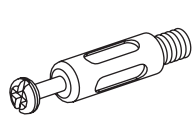
When fitting a basin to a unit, a bead of silicone should be applied to the top edge of the basin unit to seal between the basin and unit.



×16



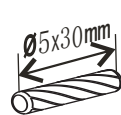
×16



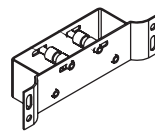
×16



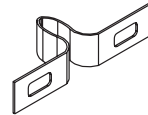
×8



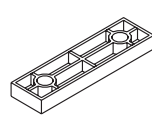
×8



×2



×2



×4

