

SM BAS C

SMILE Tap Range Smile Basin Mixer with Clicker Waste Chrome



Features:

- Everything you need in the box including flexible tails and clicker waste so nothing to buy separately.
- Long life ceramic cartridge for added durability and smooth control.
- A hard-wearing, flawless, scratch resistant chrome finish that lasts for years. Salt spray tested to ensure added durability.
- 10 year parts and 1 year labour guarantee for peace of mind.
- Co-ordinating Bathroom taps and Accessories available

Product Certifications:



WRAS Cert. Number: 2212900
WRAS Expiry Date: 31/12/2027



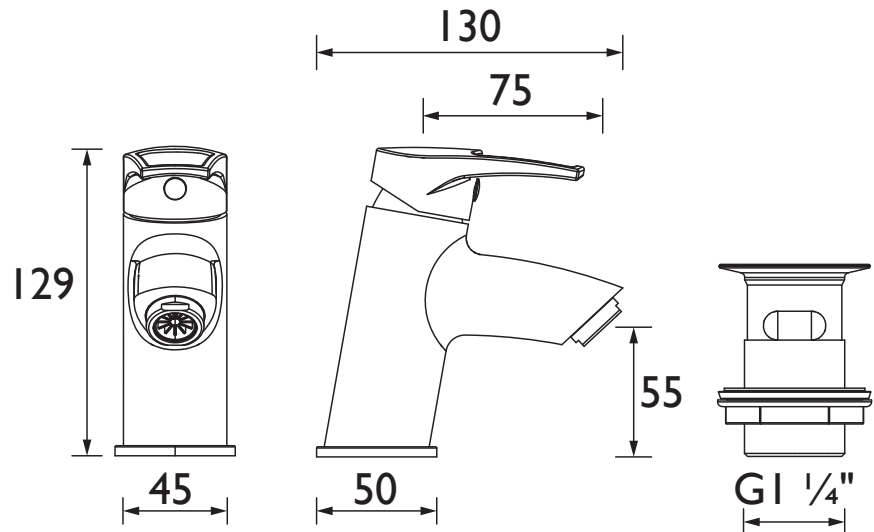
For more products, visit our website:
<http://www.bristan.com>



Specification

Product Type:	Bathroom Taps
Main Construction Material:	Brass
Mount Type:	Deck Mounted
Handle Type:	Lever Handles
Connection Inlet:	M10 x 500mm 1/2BSP Flexi Tails
Connection Outlet:	M24 Flow Straightener
Number of Tap Holes:	1
Valve/Cartridge Type:	1/4 Turn 1/2" Ceramic Disc Valve
Plumbing System Requirements:	Suitable for all plumbing systems
Minimum Dynamic Pressure (bar):	0.2 bar
Maximum Dynamic Pressure (bar):	5.0 bar
Maximum Hot Water Temperature °C:	65°C
Maximum Static Pressure (bar):	10 bar
Flow Type:	Single Flow
Isolation Included:	No

Dimensions (measurements in mm)



Flow Rates (l/min)

System Pressure (bar)	0.2	0.5	1	2	3	5
SM BAS C (mixed)	6.6	10.5	14.8	21	25.7	33.2

TECHNICAL DATA SHEET



BRISTAN

D9