

GENERAL INSTALLATION TIPS

Always remove sharp object from the area you are working as the panel may be damaged.
Cover the floor with cardboard or a sheet if this is not possible.

Pilot drill prior to fixing screws into timber to help prevent splitting.

If in doubt about any part of the installation, consult a qualified tradesman.

Double check all measurements before trimming, mistakes cannot be rectified after.

When cutting this panel, use a fine toothed saw, and a stanley knife, scoring the panel lightly several times which will allow you to snap off the excess material.

Remove all burrs with fine sand paper.

CARE INSTRUCTIONS

Wipe around the bath panel after each use, and rinse with cold water. Most soiling can be easily removed by using non-abrasive cleaners. **DO NOT** use scouring powder which is not necessary and will damage the surface of the panel.

Hair lacquer, nail lacquer remover, paint strippers and some dry cleaning agents will also damage the surface of the panel.

Naked flame and other heat sources should not be allowed to come into contact with any part of the bath or panel.

CUSTOMER GUARANTEE

We are proud of our products and guarantee them against faulty material and manufacture, provided that they have been installed and cared for and used in accordance with our instructions.

Please call us immediately for more information on (01270) 410026

This guarantee applies to products installed in the United Kingdom and the Republic of Ireland only, and does not affect your statutory rights.

Due to continuing product development we reserve the right to amend technical details without prior notice

TWYFORD BATHROOMS

Lawton Rd, Alesager, Stoke - On - Trent, ST7 2DF

Telephone:- (01270) 879777 Fax:- (01270) 873864

Form No:- ZE8718XX 5/01

SRB revision SRD

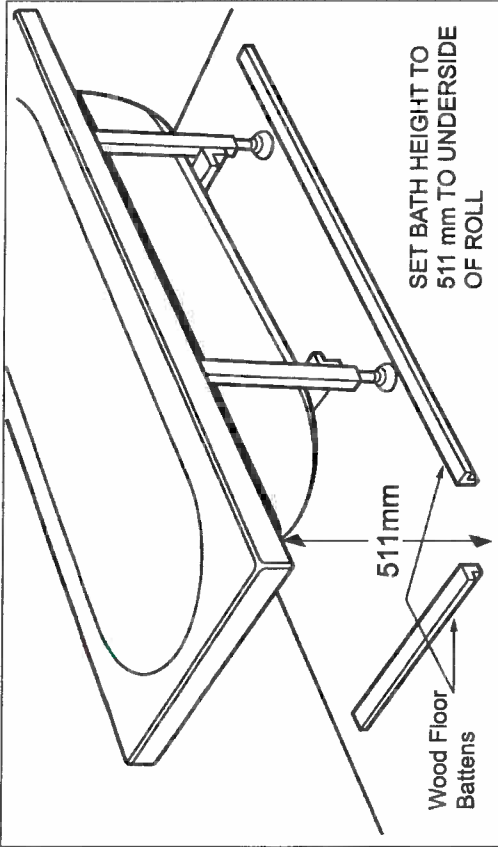
FIXING INSTRUCTIONS

BATH PANEL

NOTE 1

To assemble and install this bath panel, carefully read through this step - by - step instruction first.
Follow them throughout the assembly, making sure that the area you are working in is clear of sharp objects that may damage the panel, lay a clean cloth sheet or cardboard down first if in doubt.
Inspect the panel for damage before installation, as claims after installation will not be received.

CORNER INSTALLATION



1

a

Assemble the bath as per the bath fixing instructions and fit the plumbing connections.

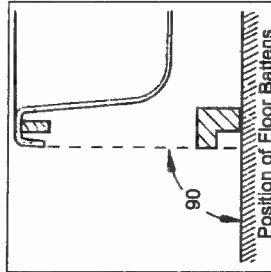
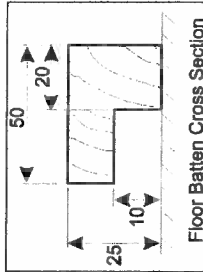
Adjust the bath to a height of 511mm to the under side of the roll.

b

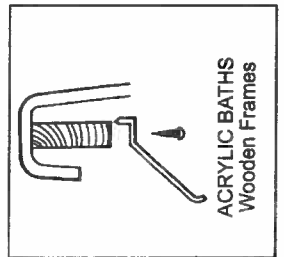
Cut two floor battens as per the cross section drawing, the first 1500mm long and the second 500mm long.

Fix the battens to the floor (position referenced to the bath as shown in this diagram). Use the best fixing type method for your floor type.

When positioning the battens, leave a gap between them and the walls, and between the battens themselves at the corners.



2



a

Assemble the panel clips to the wooden bath frame, as shown in this diagram.

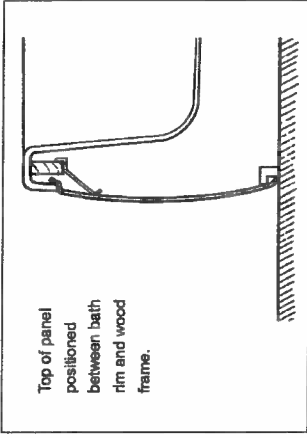
Evenly distribute them around the bath, 3 clips on the front long edge and 2 clips on the shorter end edge.

3

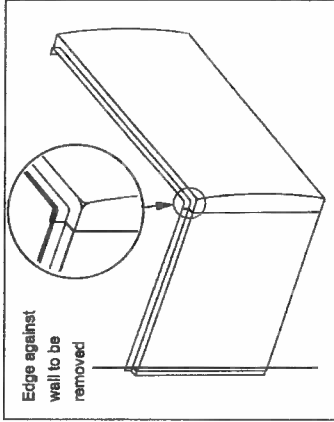
a

Assemble the front panel to the bath, as shown, with the top of the panel positioned between the bath rim and the wood frame.

The panel clip holds to panel in position.



b



When fitting the end panel, remove the return which will be against the wall.

Mark a vertical line down the panel and carefully cut the top and bottom returns with a fine toothed saw.

The flat section can be scored lightly several times with a stanley knife to create a deep cut, which can then be snapped off.

Lightly sanding the edge will create a neat finish.

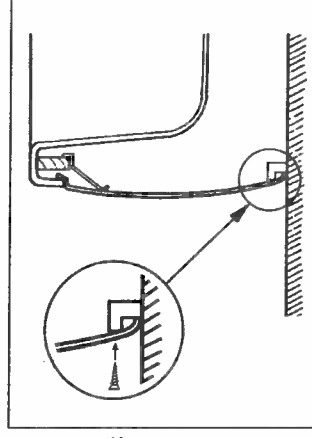
i

Note that your installation may be a mirror image of this sketch.

c

When all panels have been installed, fix the lower edge of the panels - preferably with mirror-head screws - to the wooden floor battens.

3 screws along the long side and 2 along the short side, equally spaced.



ALCOVE INSTALLATION

1

a

When assembling the front panel only, place the floor batten along the front edge only. (Batten dimensions and location relative to the bath rim as in Section 1 for Corner Installation.)

All other aspects of Front Panel installation are as for Corner installation.

You may use all five panel clips on front panel edge, if desired.

