



## FOR USE WITH COMBIMATE LIMESCALE PREVENTION DEVICE

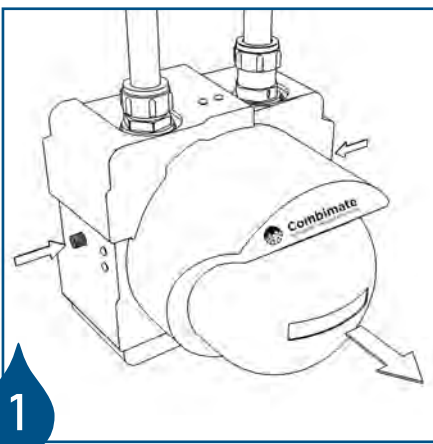
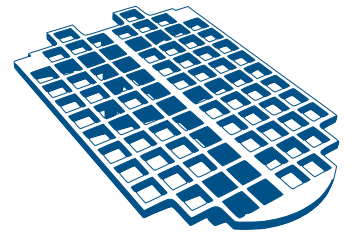
Your Combimate can be used to offer two different levels of protection, **complete system protection** or **single appliance protection**. Inside the dome is a removable **Divider Tray** which allows you to select the quantity of Combiphos that the Combimate can hold.

### Single appliance protection

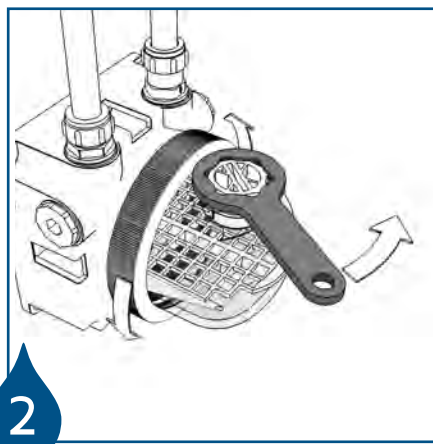
Divider Tray to remain in place (place 400g of Combiphos on to tray)

### Complete system protection

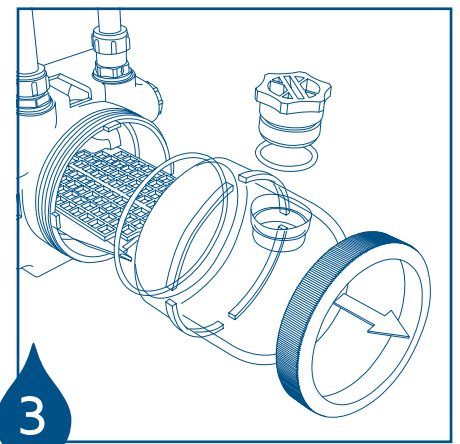
Divider Tray must be removed (fill dome with 800g of Combiphos)



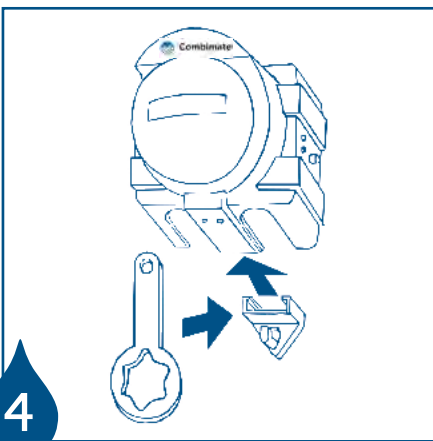
1  
Depress the two red buttons and pull the cover away from the unit (Water flow through the unit is shut off when the cover is removed).



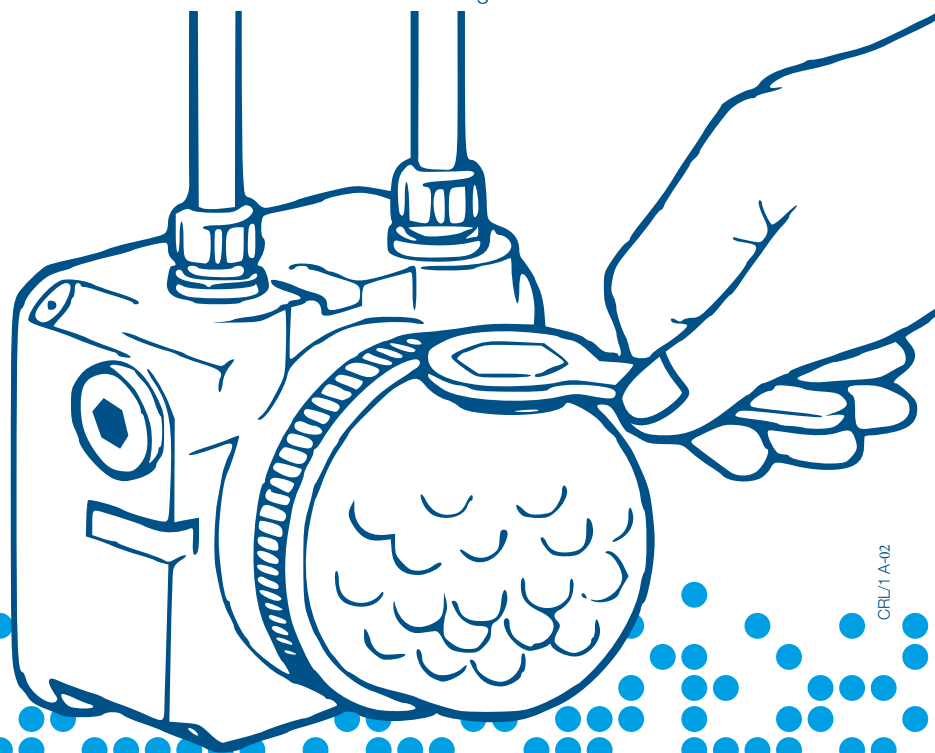
2  
Place a bowl under unit to catch any residue. Unscrew red filler plug using the spanner provided. Unscrew and remove aluminium ring.



3  
Remove dome from base, empty exhausted Combiphos and clean base. **Fit new 'O' ring seal**, refit dome and aluminium ring. Refill with new Combiphos through hole in dome.



4  
Refit red filler plug and replace front cover. Hang spanner on hook.



CRL/1 A-02