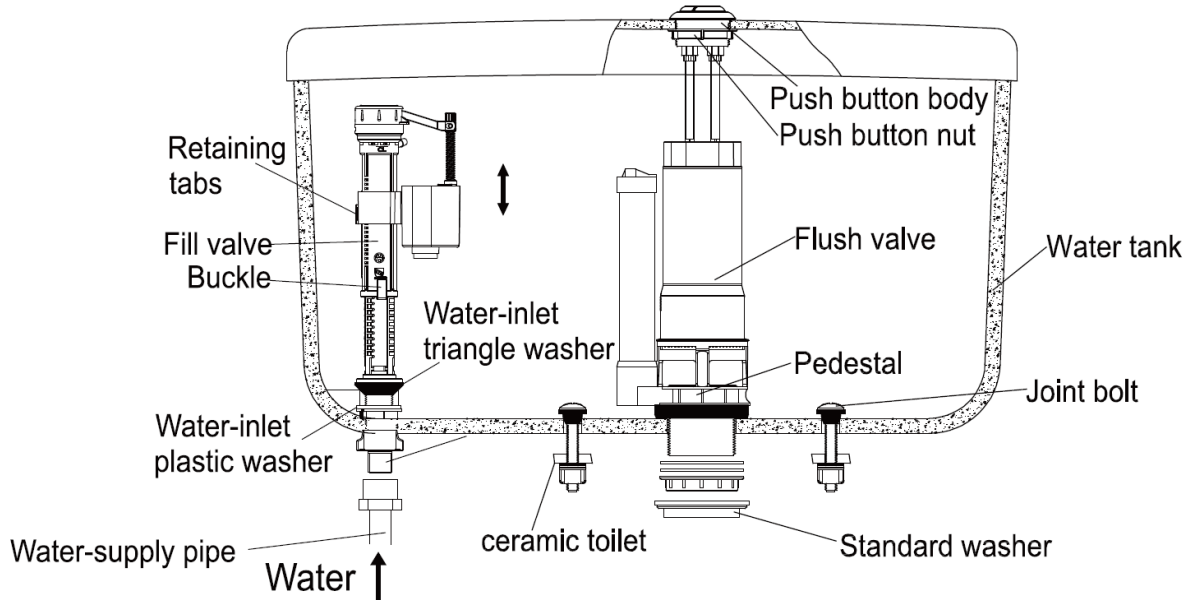


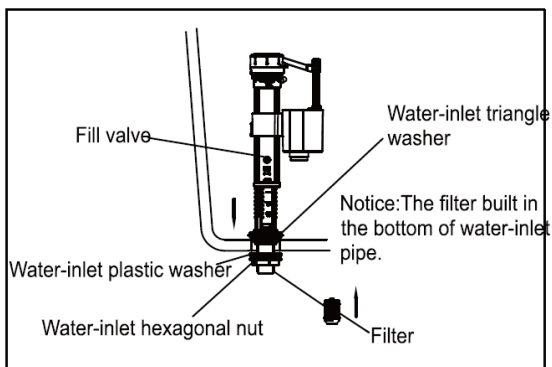
# Dual Flush Valve Instructions

## Installation Layout

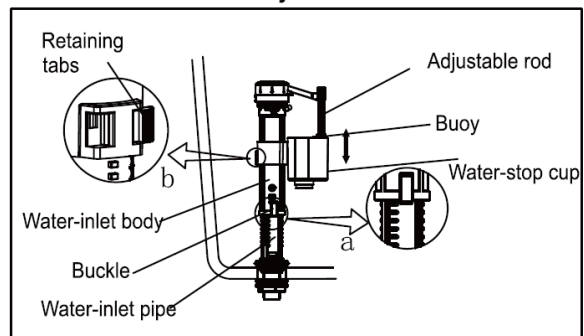


1. Please read the following installation instructions carefully. In order to avoid injury or damaging the equipment please follow the instructions step by step.
2. The instructions are compiled according to the up-to-date product information. We reserve the right to make changes to specifications, packaging and supply without prior notice.
3. When the valve is installed, the critical level mark on the fill valve (identified by the CL mark on the valve body) should be at least 1" (25.4mm) above the top of the overflow pipe.
4. We shall not be responsible for any failure of using parts from other companies.
5. Water temperature: 2°C – 45°C

## I、 Fill Valve Installation

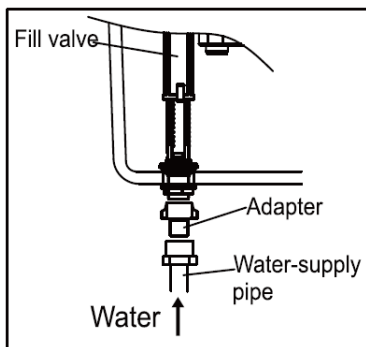


## II、 Water level adjustment



Put fill valve and water inlet triangle washer inset into water inlet hole of water tank, then, cover water inlet flat waste, plastic washer and hexagonal nut in turn from the bottom of the fill valve. Fastening water inlet hexagonal nut and make a proper adjust according to the size of water tank.

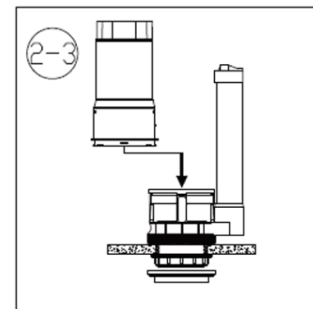
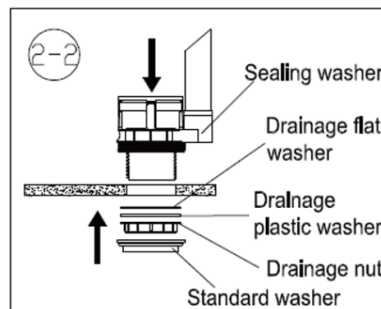
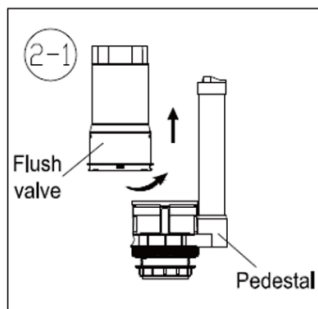
### III、Water supply pipe installation



Connect water supply pipe and built in adapter or filter according to your needs.

### IV、Flush Valve Installation (According to the actual need)

#### Two-piece flush valve installation

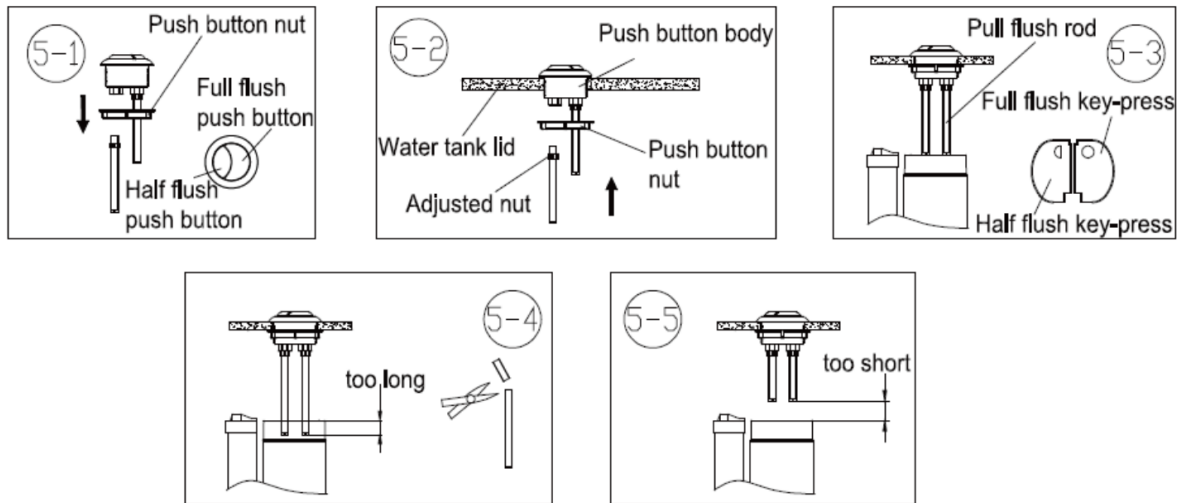


2-1 Circumrotate drainage body and remove it from the pedestal.

2-2 Let the pedestal insert into outfall from inside of water tank, cover the sealing washer, drainage plastic washer, then circumrotate drainage nut and cover the standard washer, and it can adjust the angle according to the actual size of the water tank.

2-3 Install flush valve.

## V 、 Push-button Installation



5-1 Screw off push button nut.

5-2 Let push button inset into water tank lid middle hole, screwing on push button nut from the bottom of the water tank lid, then, screwing until firm.

5-3 Please confirm pull flush rod press the flush valve key. Press to check if it is blocked or not.

5-4 Screw off pull flush rod, the cut part is upside.

5-5 Pull flush rod should aim at the full flush key press.

**Note: If the product is different from the diagrams above, please refer to actual product.**