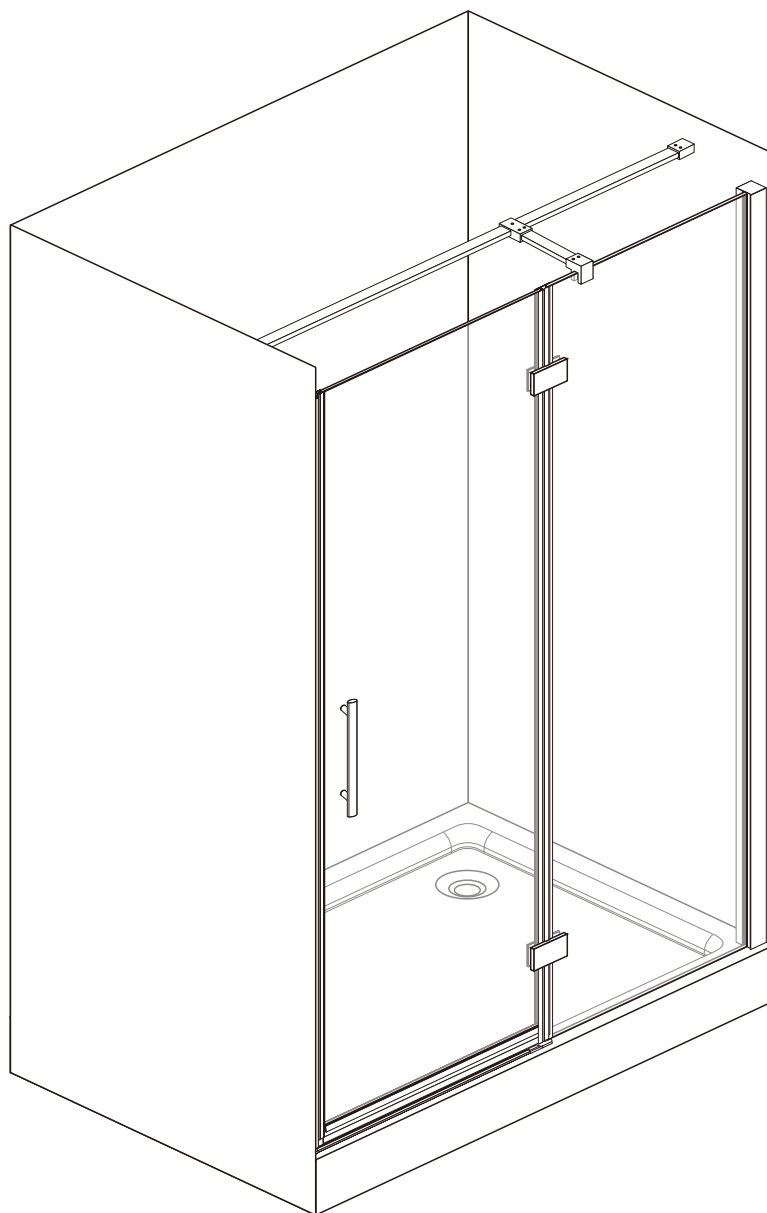


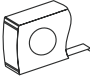


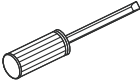
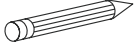
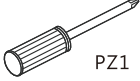

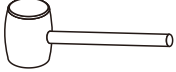
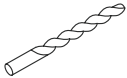



8MM FRAMELESS HINGED DOOR GUIDE




General Information

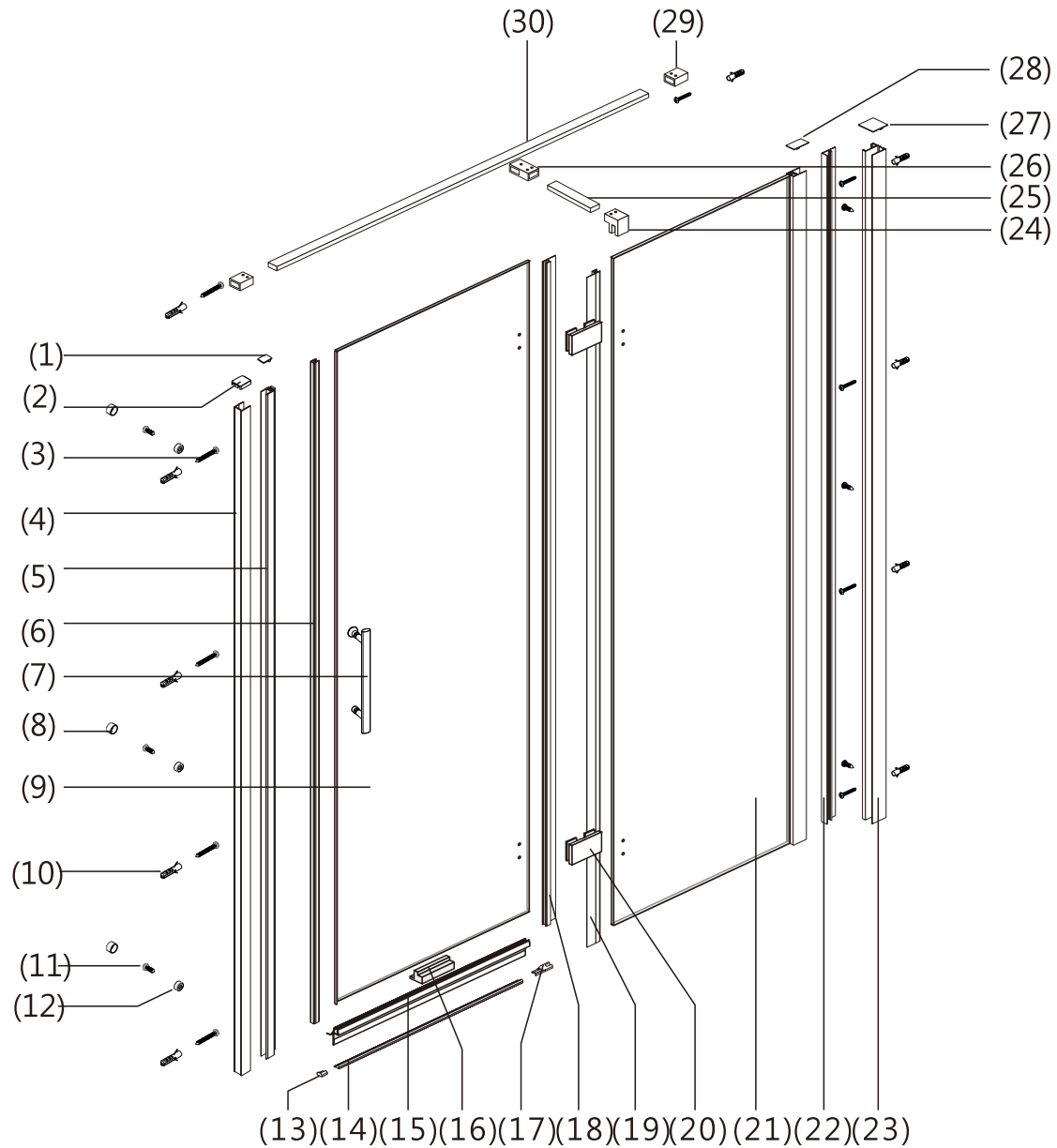
Please inspect this product upon delivery. Any missing parts or manufacturing defects must be reported immediately to the supplier. Damage or defects reported later will not be accepted. TAKE CARE WHEN HANDLING GLASS PARTS-AVOID HEAVY CONTACT BETWEEN THE GLASS EDGES AND ANY HARD SURFACE. Glass breakage claims will not be accepted after the product has been unpacked.

TOOLS REQUIRED

DESCRIPTION	PART IMAGE	DESCRIPTION	PART IMAGE
Tape measure		Drill	
Spirit level		Flat-head Screwdriver	
Pencil		Cross head Screwdriver	 PZ1
Ø6mm Drill bit		Mallet	
Ø3mm Drill bit		Silicone Sealant	
Ø4 Allen Key		Ø2 Allen Key	

 This product is heavy and may require two people to install.

ASSEMBLY INSTRUCTIONS - DRAWING



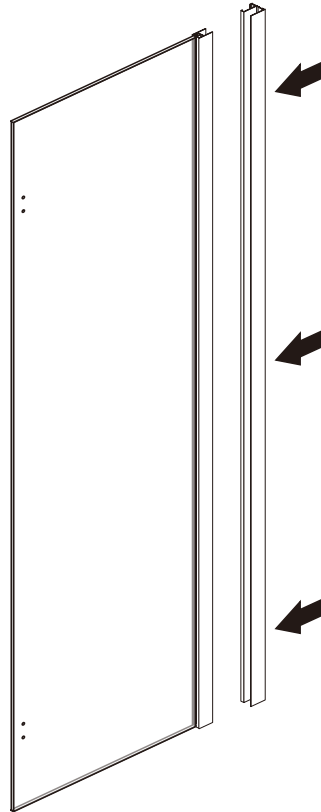
- | | |
|---|----------------------------------|
| (1) 1x Magnet Profile Top Cap | (16) 1x Support Block |
| (2) 2x Magnet Wall Profile Top Caps L&R | (17) 2x Bottom Strip Caps B L&R |
| (3) 10x Screws 4x30 | (18) 1x Moving Panel Seal |
| (4) 1x Magnet Wall Profile | (19) 1x Fixed Panel Seal |
| (5) 1x Magnet Profile | (20) 2x Hinges |
| (6) 1x Magnet Seal | (21) 1x Fixed Panel |
| (7) 1x Handle | (22) 1x Wall Profile Cover Strip |
| (8) 3x Screw Caps | (23) 1x Wall Profile |
| (9) 1x Moving Panel | (24) 1x Glass Clamp |
| (10) 10x Wall Plugs | (25) 1x Top Bar A |
| (11) 6x Screws 4x12 | (26) 1x T Piece Corner Bracket |
| (12) 3x Screw Cover Clips | (27) 2x Wall Profile Top Cap L&R |
| (13) 2x Bottom Strip Caps A L&R | (28) 1x Upright Profile Top Cap |
| (14) 1x Bottom Drip Strip | (29) 2x Wall Brackets |
| (15) 1x Bottom Seal | (30) 1x Top Bar B |

Before Installation

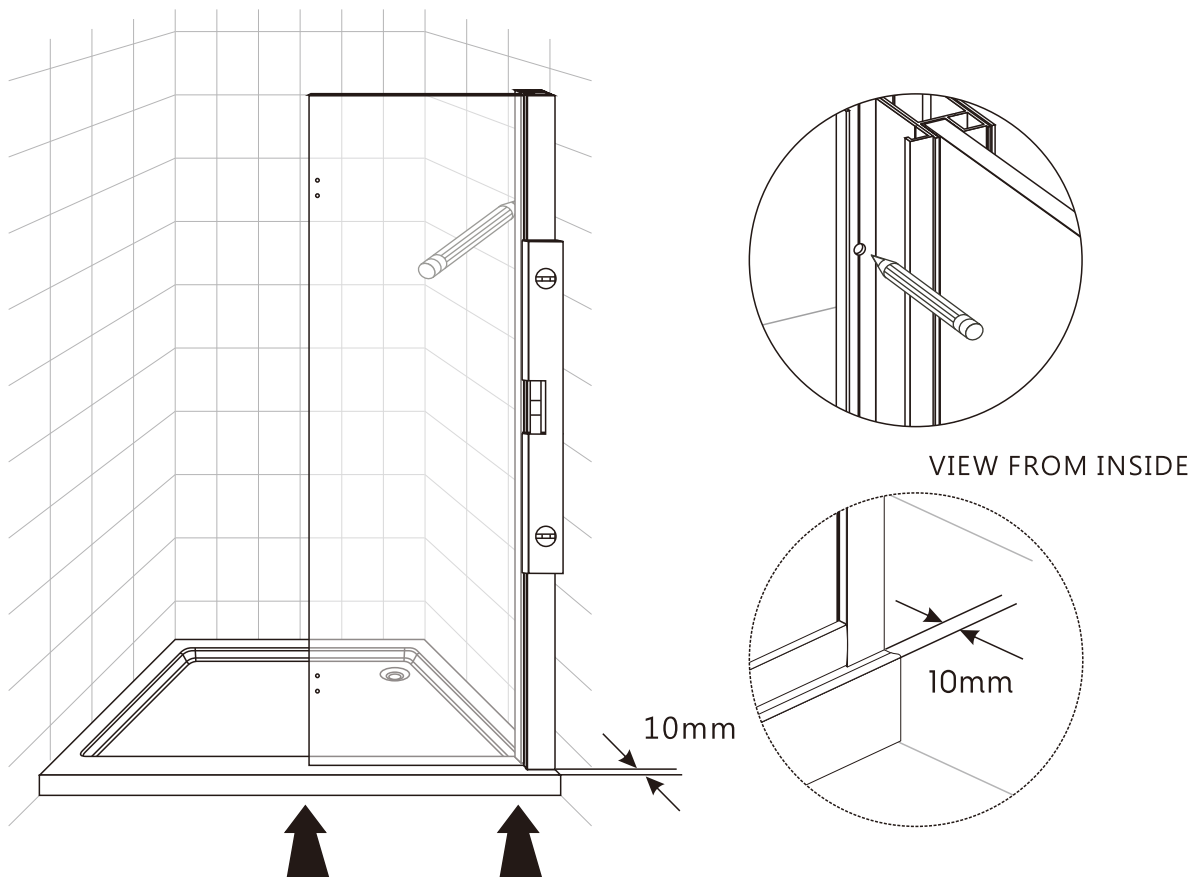
Please ensure that the shower tray is level and checked with a spirit level. The tray should be installed first. Tiles should then be tiled down to the tray. The enclosure can then be installed.

Step 1

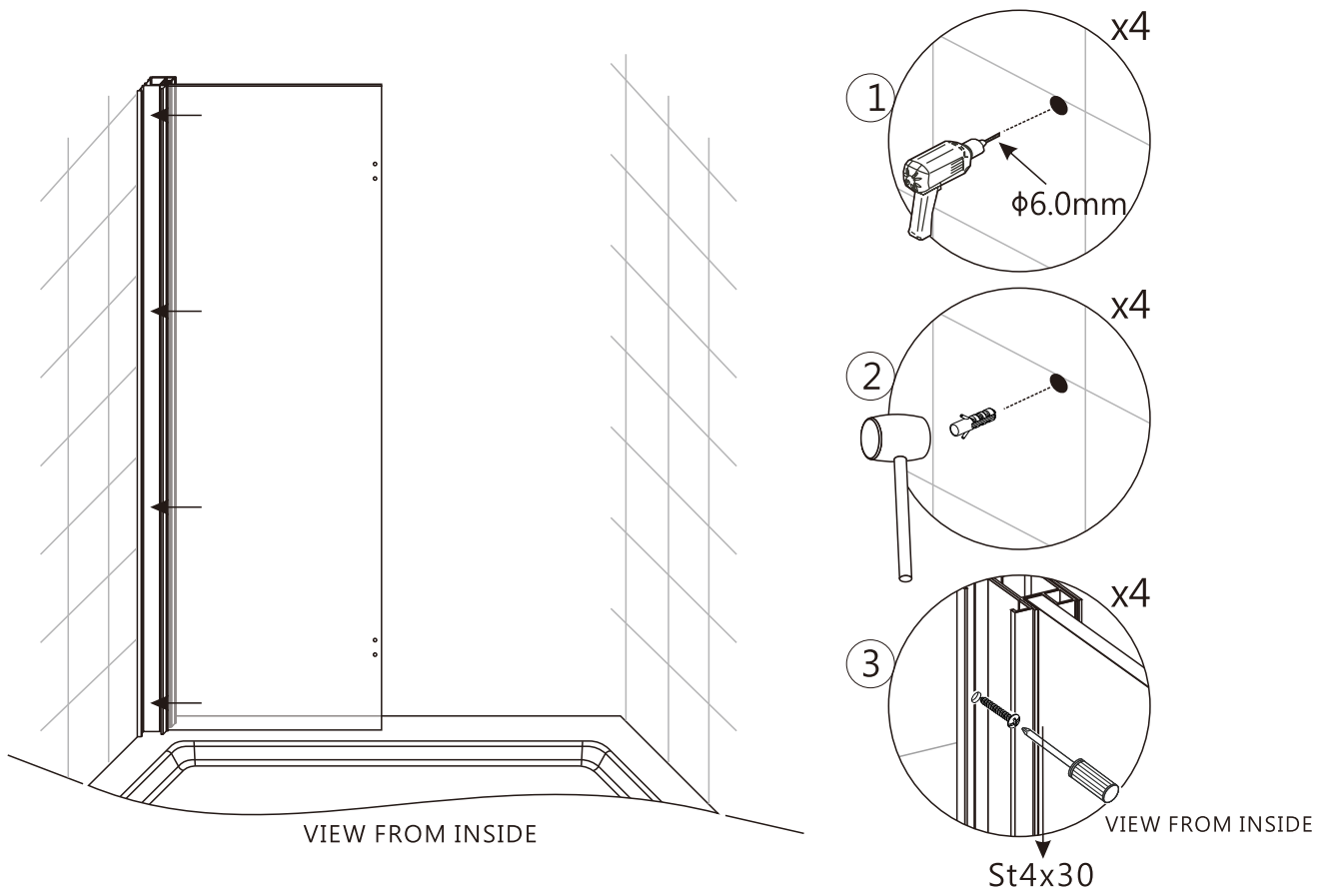
(LHD901A+LHD901B)	(LHD1201A+LHD901B)
865-890MM	1165-1190MM



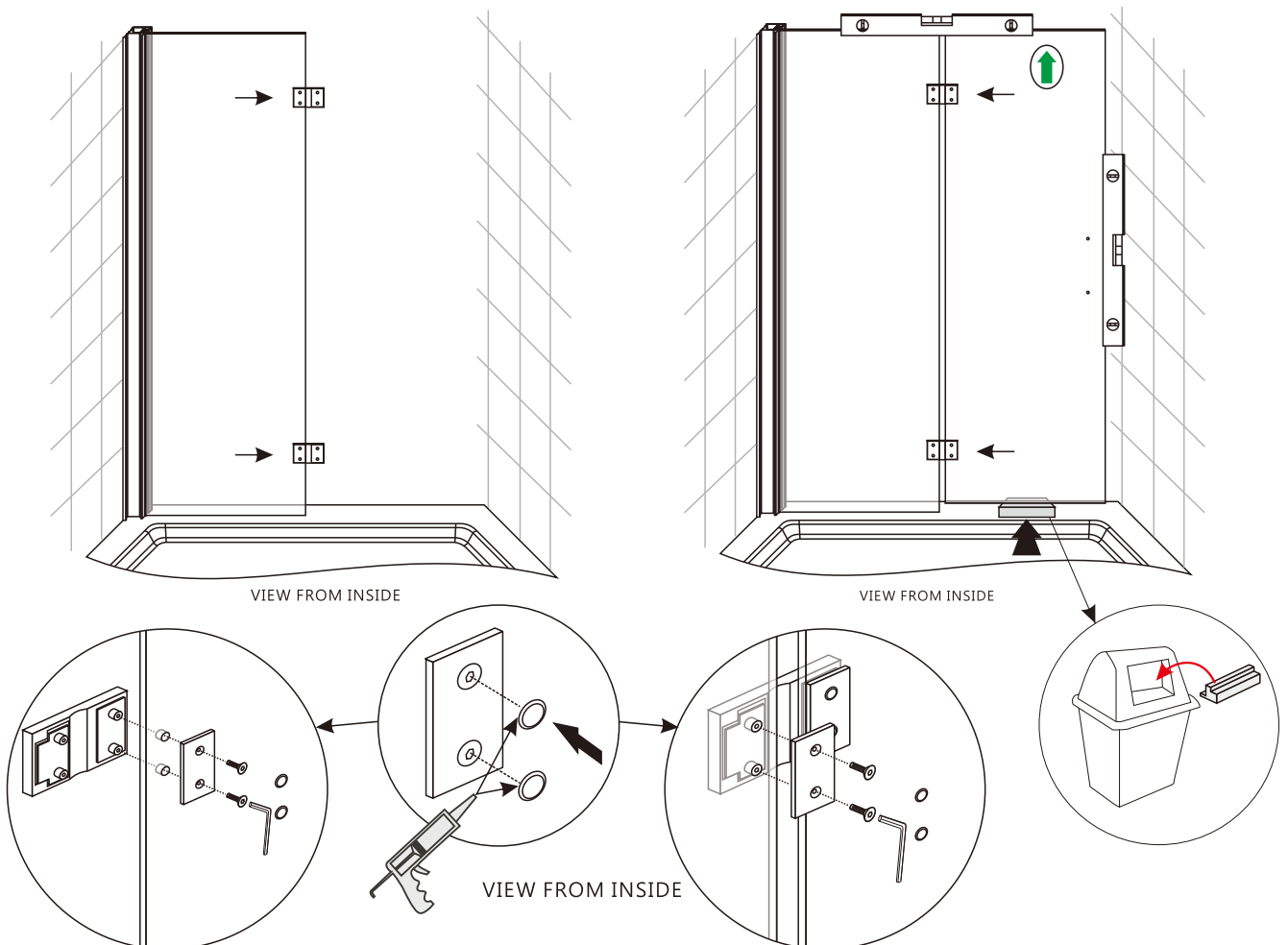
STEP 2



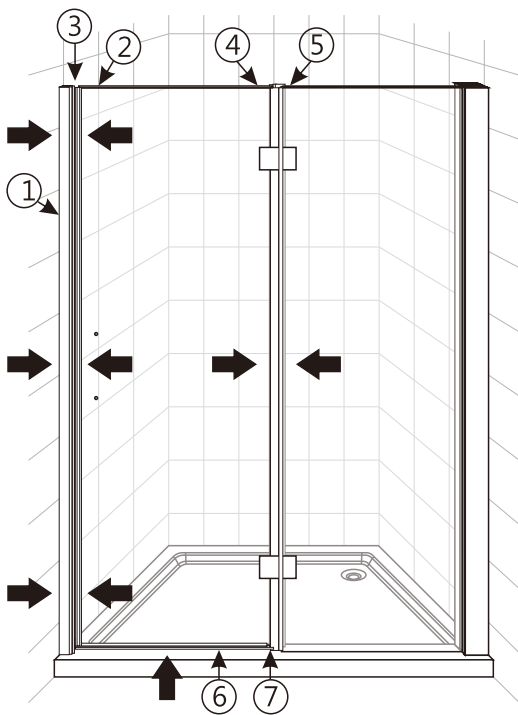
STEP 3



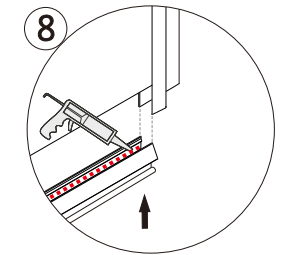
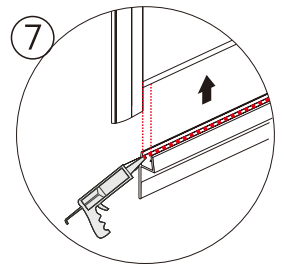
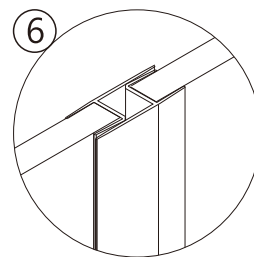
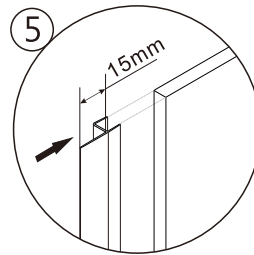
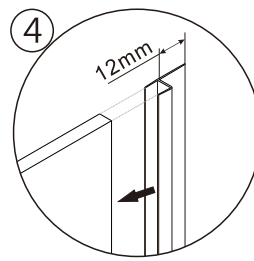
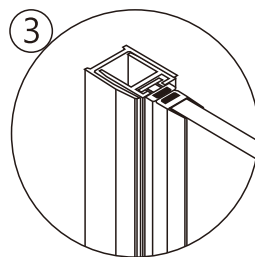
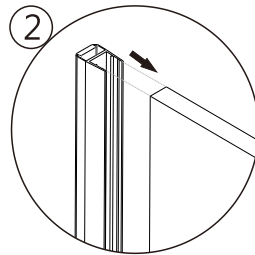
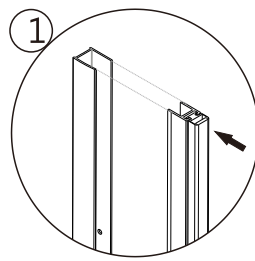
STEP 4



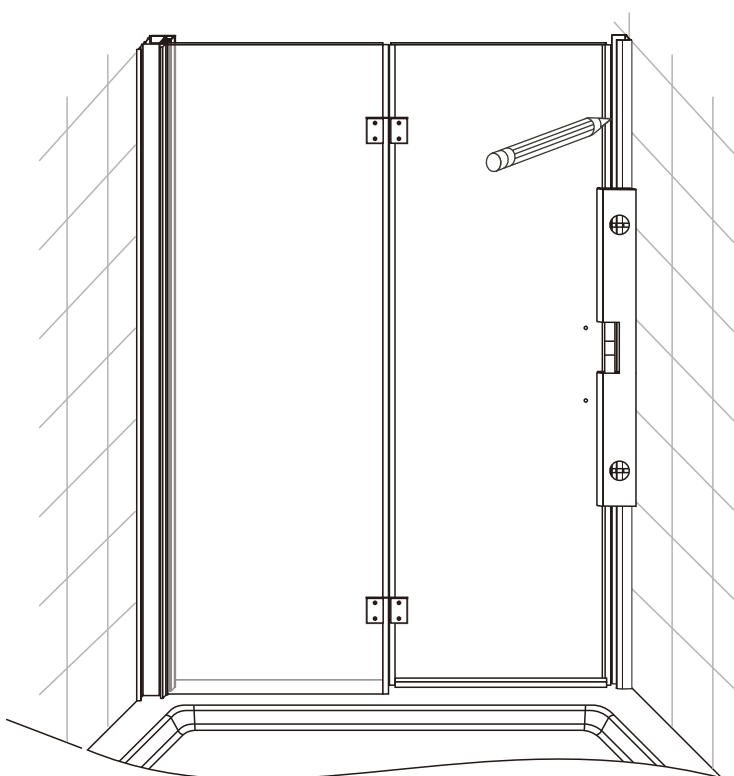
STEP 5



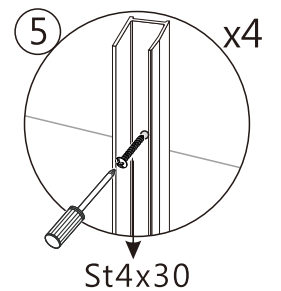
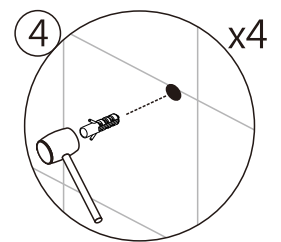
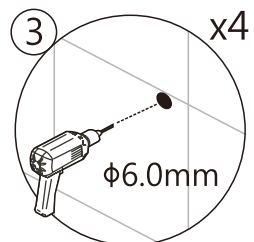
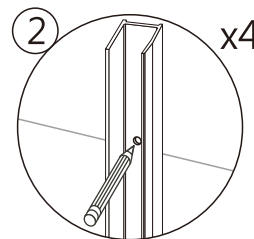
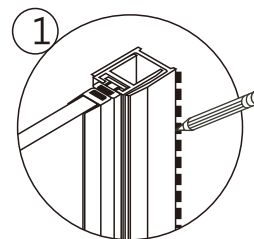
MOVING
PANLE



STEP 6



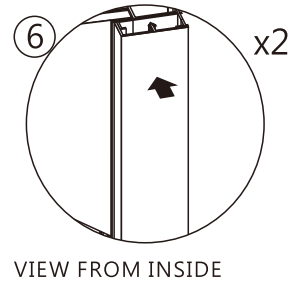
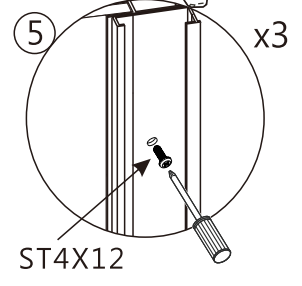
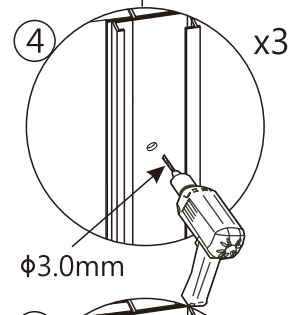
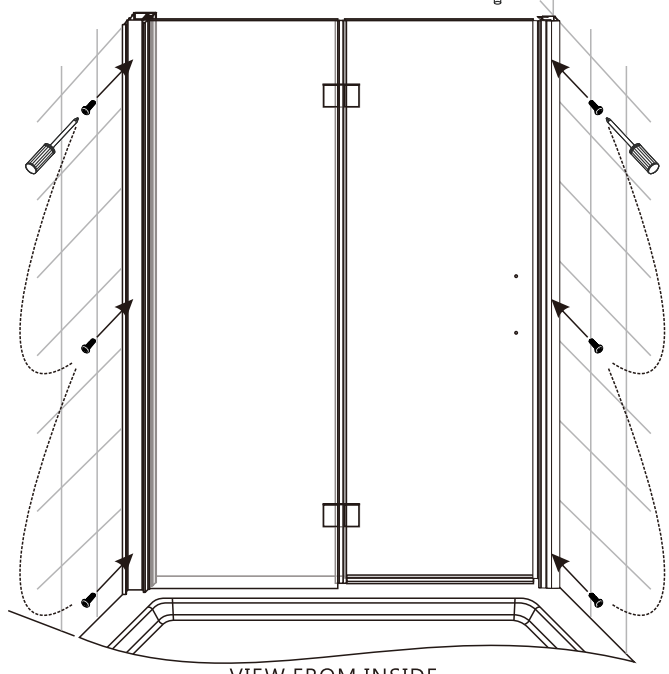
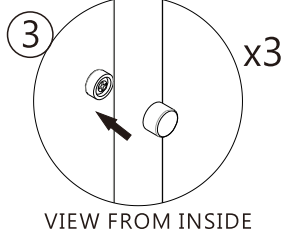
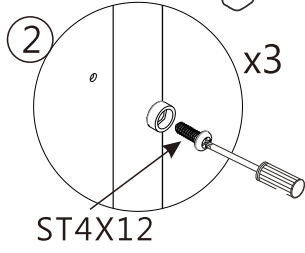
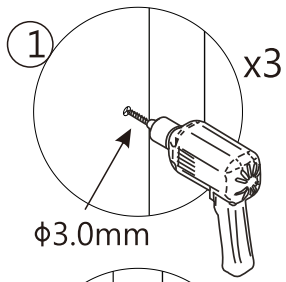
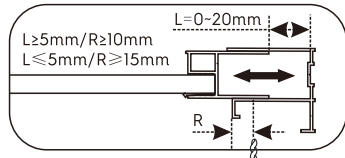
VIEW FROM INSIDE



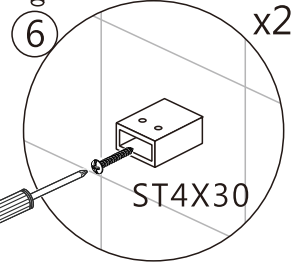
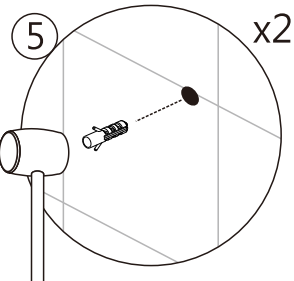
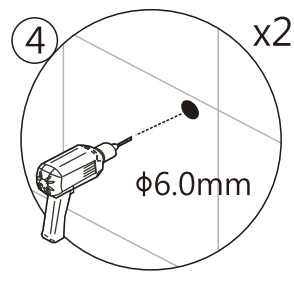
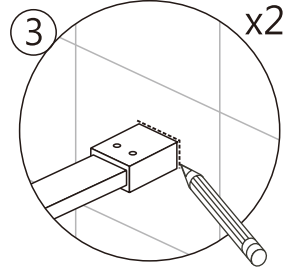
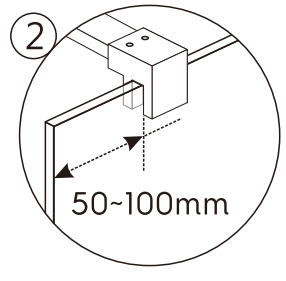
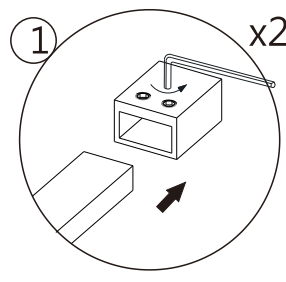
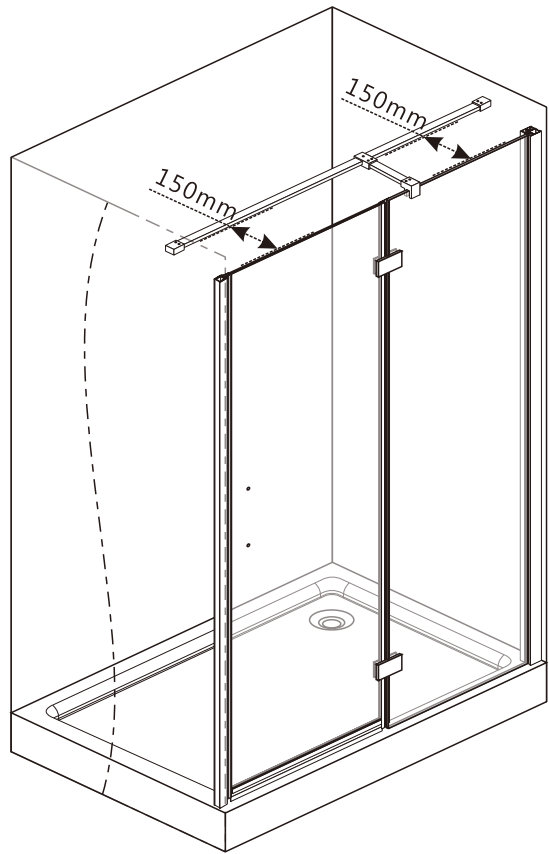
VIEW FROM INSIDE

STEP 7

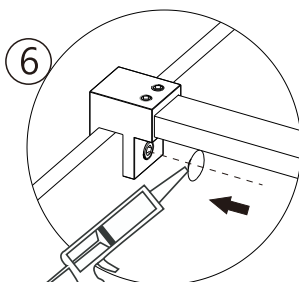
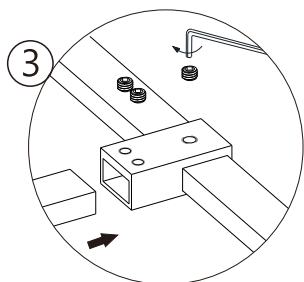
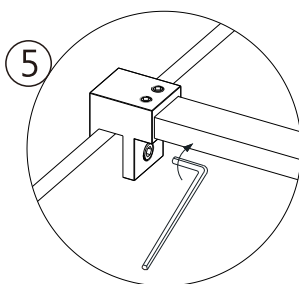
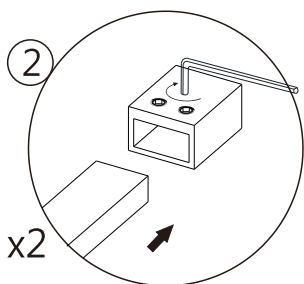
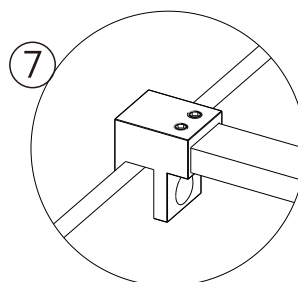
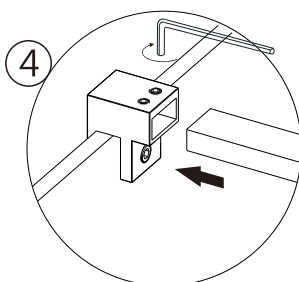
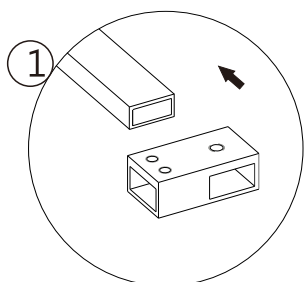
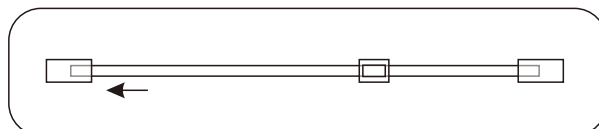
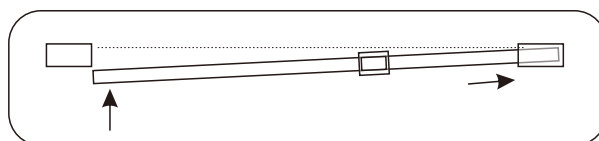
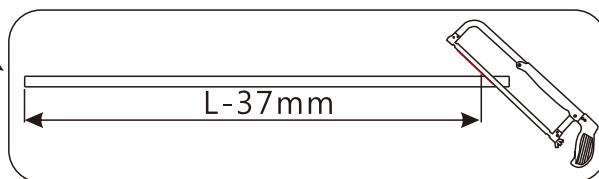
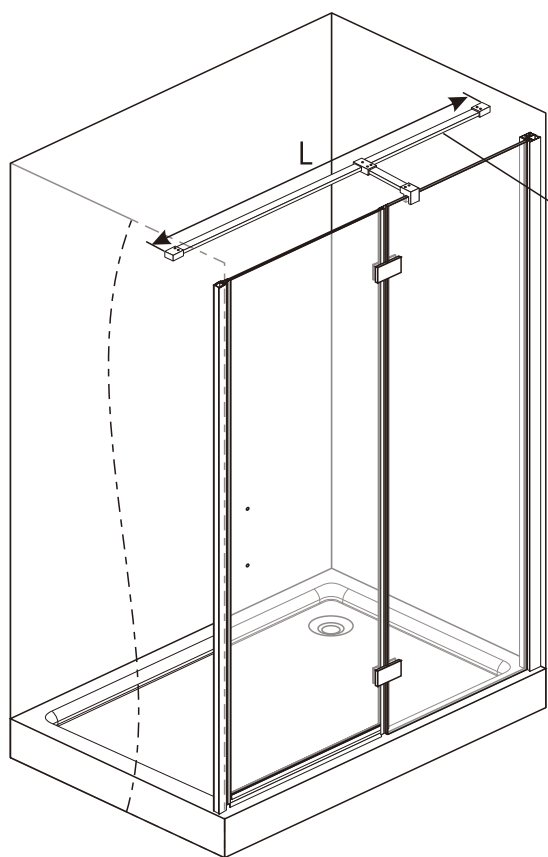
Take care not to drill into the glass



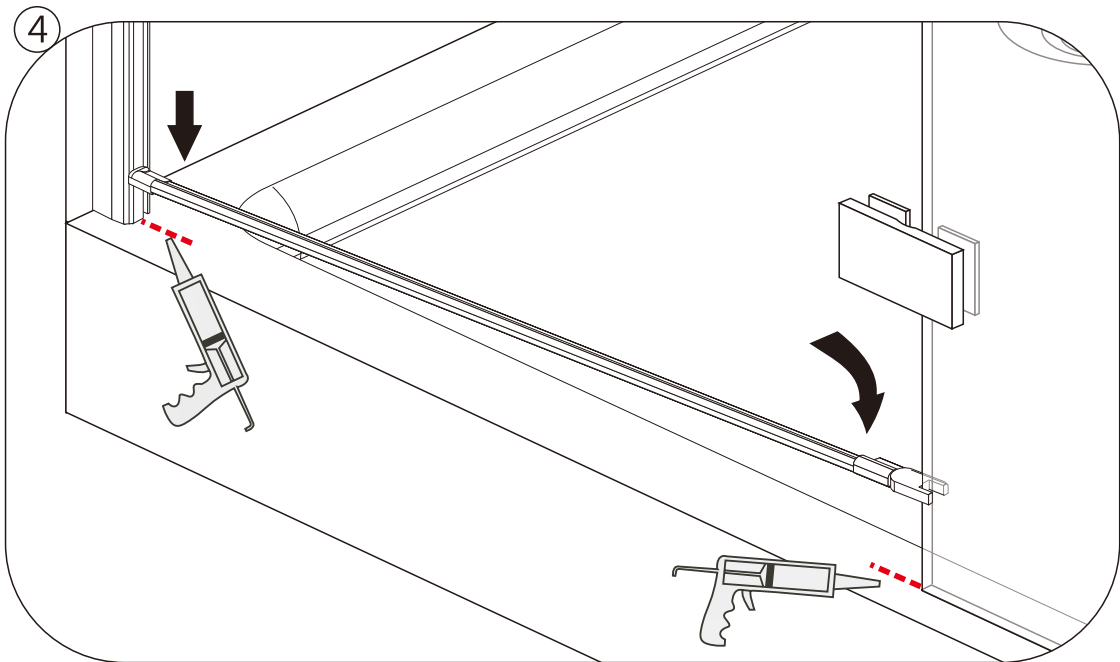
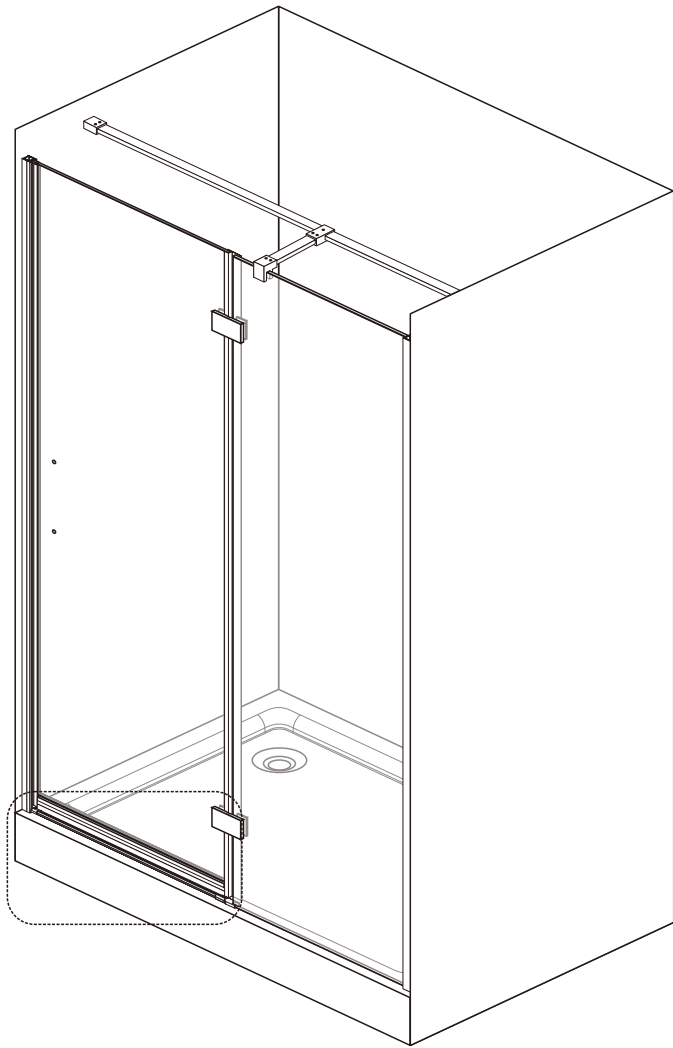
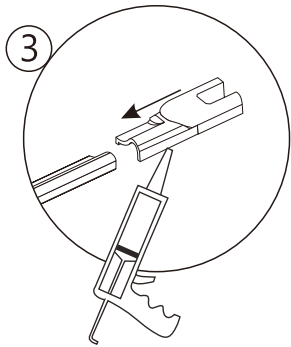
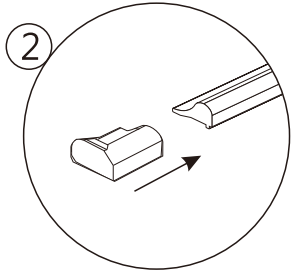
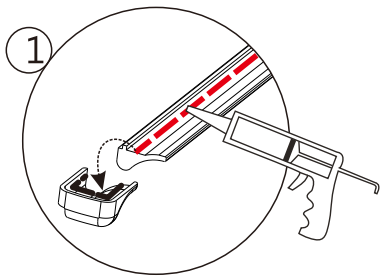
STEP 8



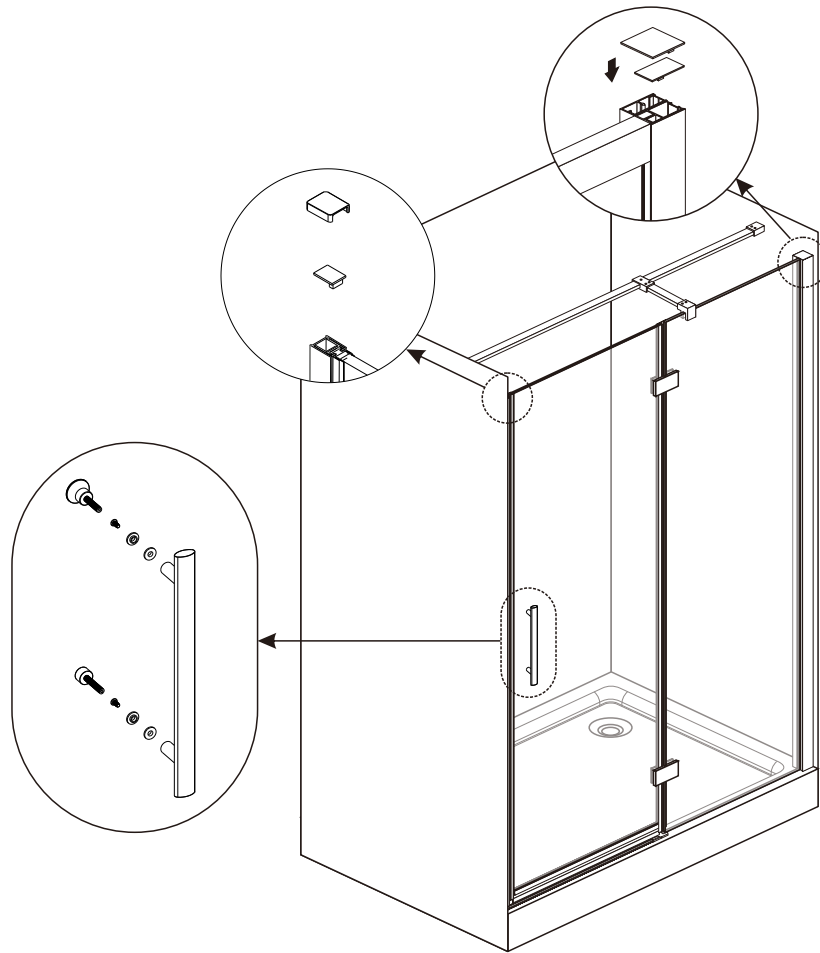
STEP 9



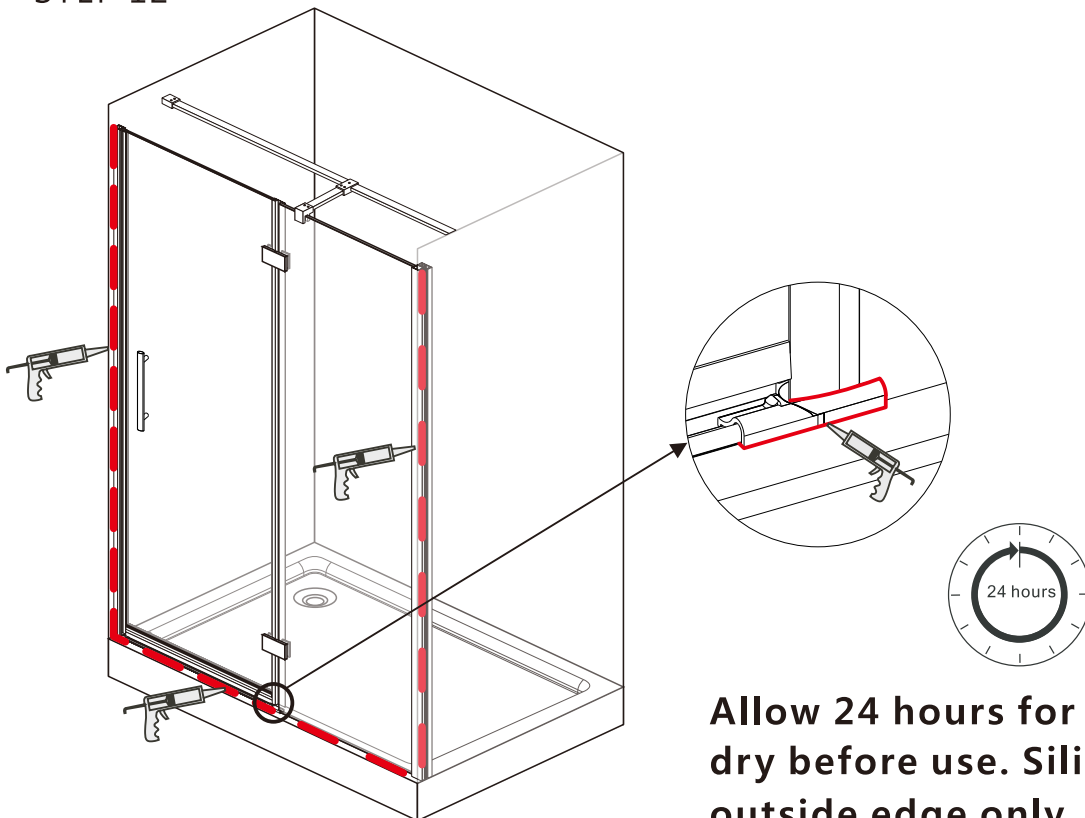
STEP 10



STEP 11



STEP 12



Allow 24 hours for silicone to dry before use. Silicone on the outside edge only, NOT THE INSIDE

Aftercare instructions

Regularly clean your shower product with warm soapy water to prevent lime scale build up. **DO NOT** use abrasive cleaning fluids or materials, or strong chemical cleaners as this will damage the product surface.