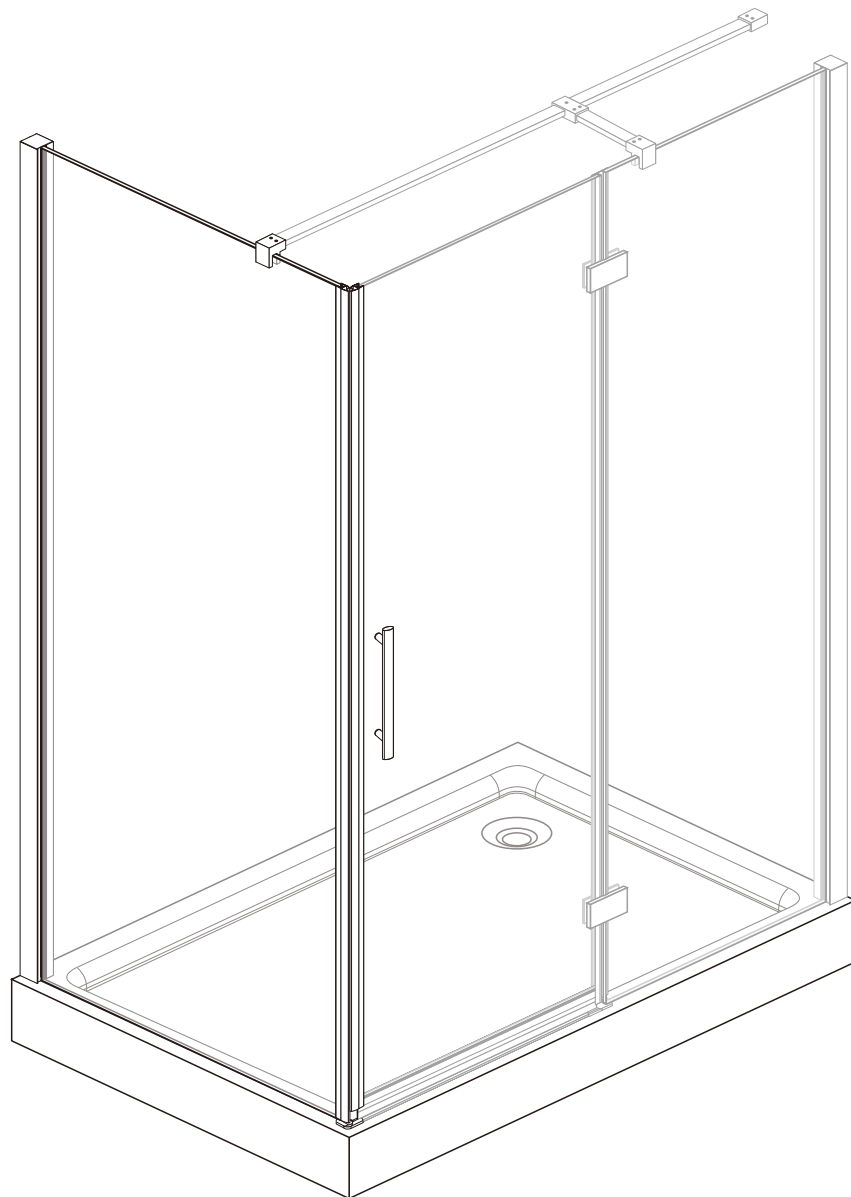


# 8MM FRAMELESS HINGED DOOR WITH SIDE PANEL GUIDE

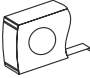


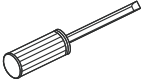
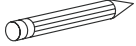
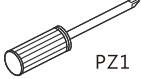

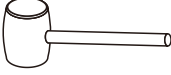







**Note: Assembly Hinge Door With Side Panel, Please Use This Instruction.**

## General Information

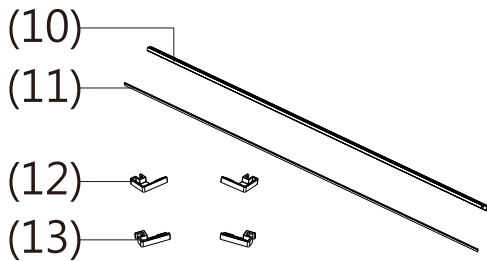
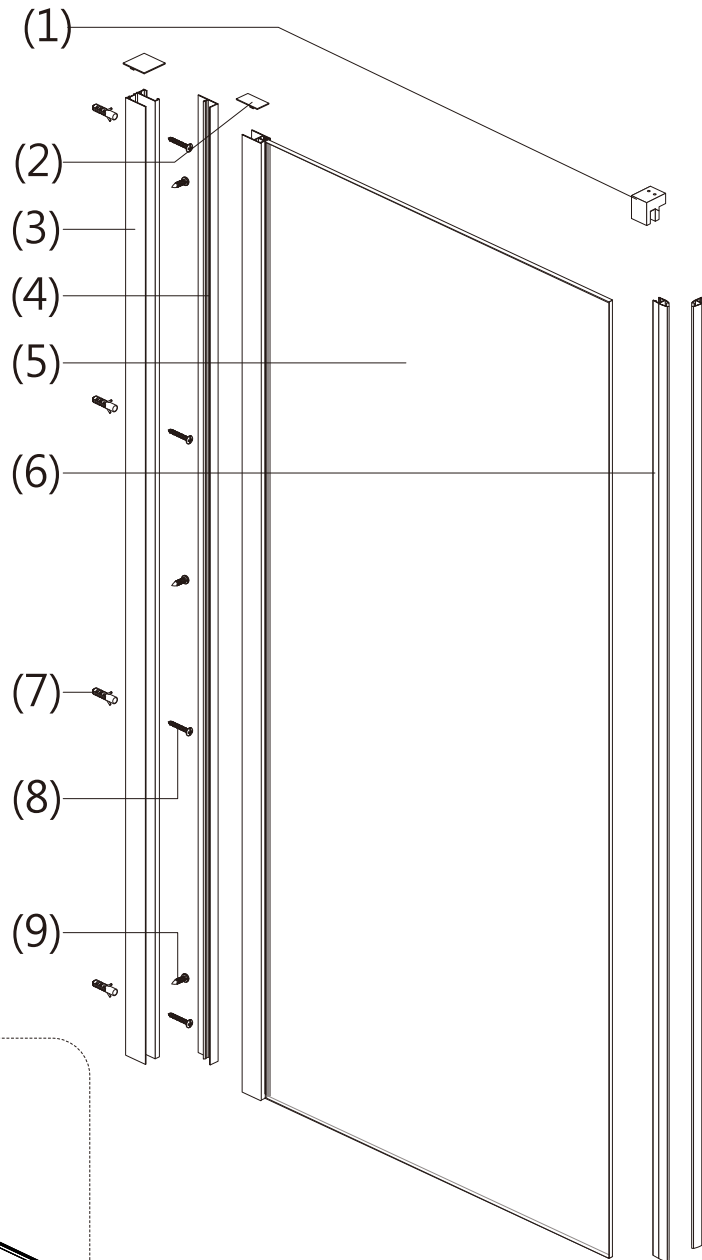
Please inspect this product upon delivery. Any missing parts or manufacturing defects must be reported immediately to the supplier. Damage or defects reported later will not be accepted. TAKE CARE WHEN HANDLING GLASS PARTS-AVOID HEAVY CONTACT BETWEEN THE GLASS EDGES AND ANY HARD SURFACE. Glass breakage claims will not be accepted after the product has been unpacked.

## TOOLS REQUIRED

DESCRIPTION	PART IMAGE	DESCRIPTION	PART IMAGE
Tape measure		Drill	
Spirit level		Flat-head Screwdriver	
Pencil		Cross head Screwdriver	
Ø6mm Drill bit		Mallet	
Ø3mm Drill bit		Silicone Sealant	
Ø4 Allen Key		Ø2 Allen Key	

 This product is heavy and may require two people to install.

# ASSEMBLY INSTRUCTIONS - DRAWING



HINGE DOOR BOTTOM SEAL AND END CAP.  
ONLY USED WHEN ASSEMBLY HINGE DOOR  
WITH SIDE PANEL.

- (1) 1x Glass clamp
- (2) 1x Upright profile top cap
- (3) 1x Wall profile
- (4) 1x Wall profile cover strip
- (5) 1x Fixed panel
- (6) 2x Magnet seals
- (7) 4x Wall plugs

- (8) 4x Screws 4\*30
- (9) 3x Screws 4\*12

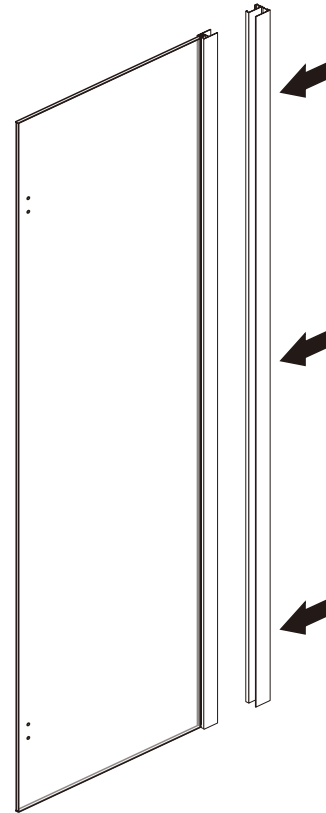
- (10) 1x Bottom seal A
- (11) 1x Bottom seal B
- (12) 2x Bottom Strip Caps A L&R
- (13) 2x Bottom Strip Caps B L&R

## Before Installation

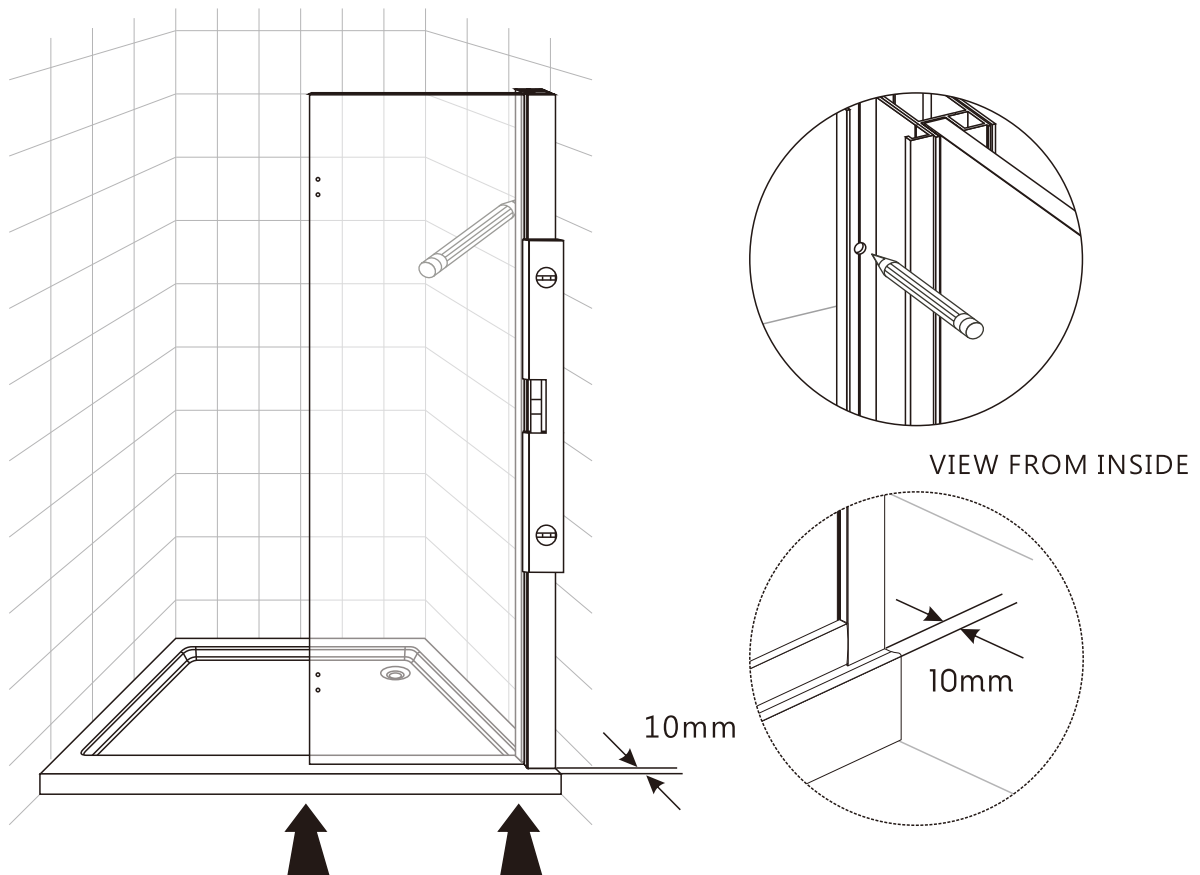
Please ensure that the shower tray is level and checked with a spirit level. The tray should be installed first. Tiles should then be tiled down to the tray. The enclosure can then be installed.

### Step 1

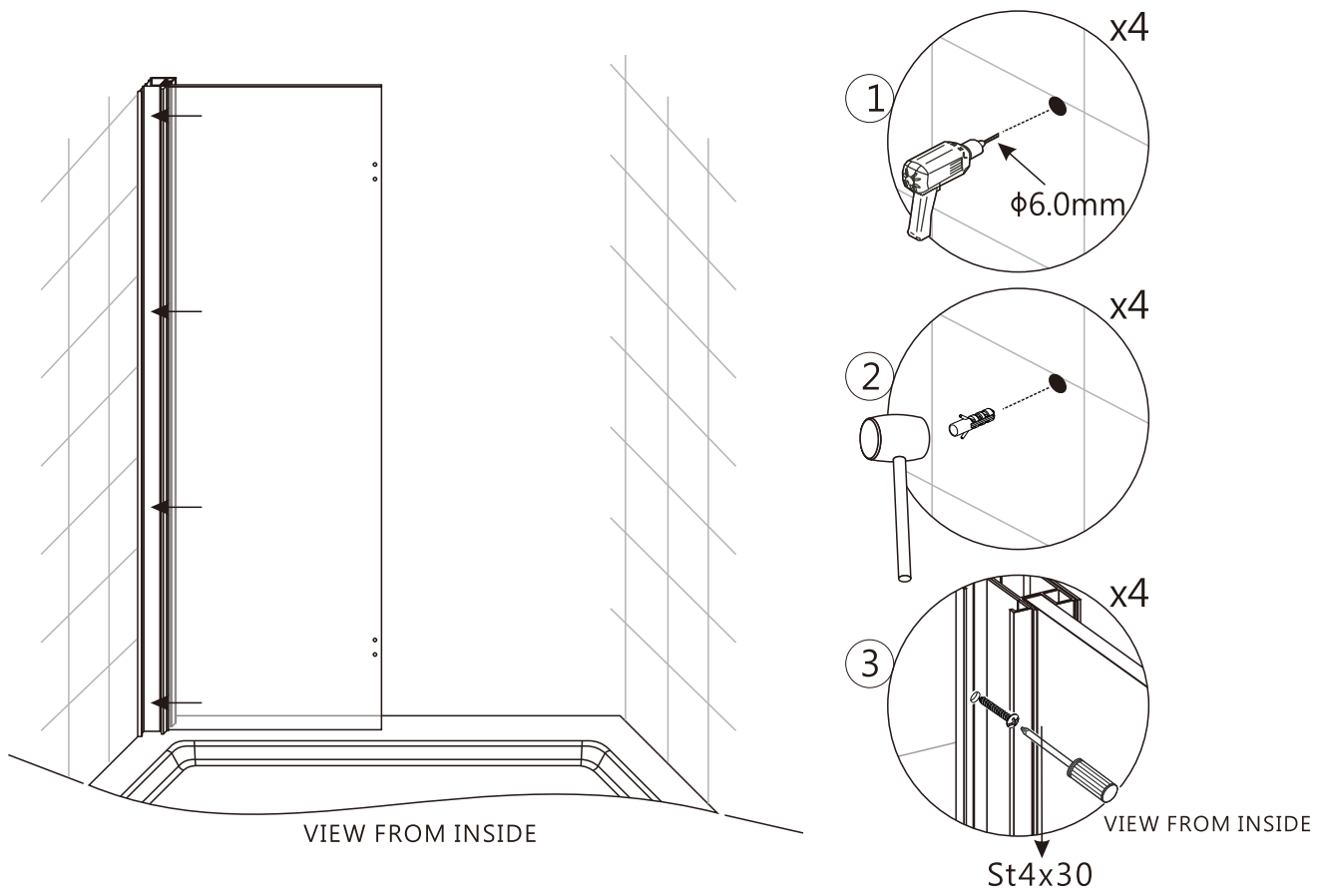
(LHD901A+LHD901B)	(LHD1201A+LHD901B)
865-890MM	1165-1190MM



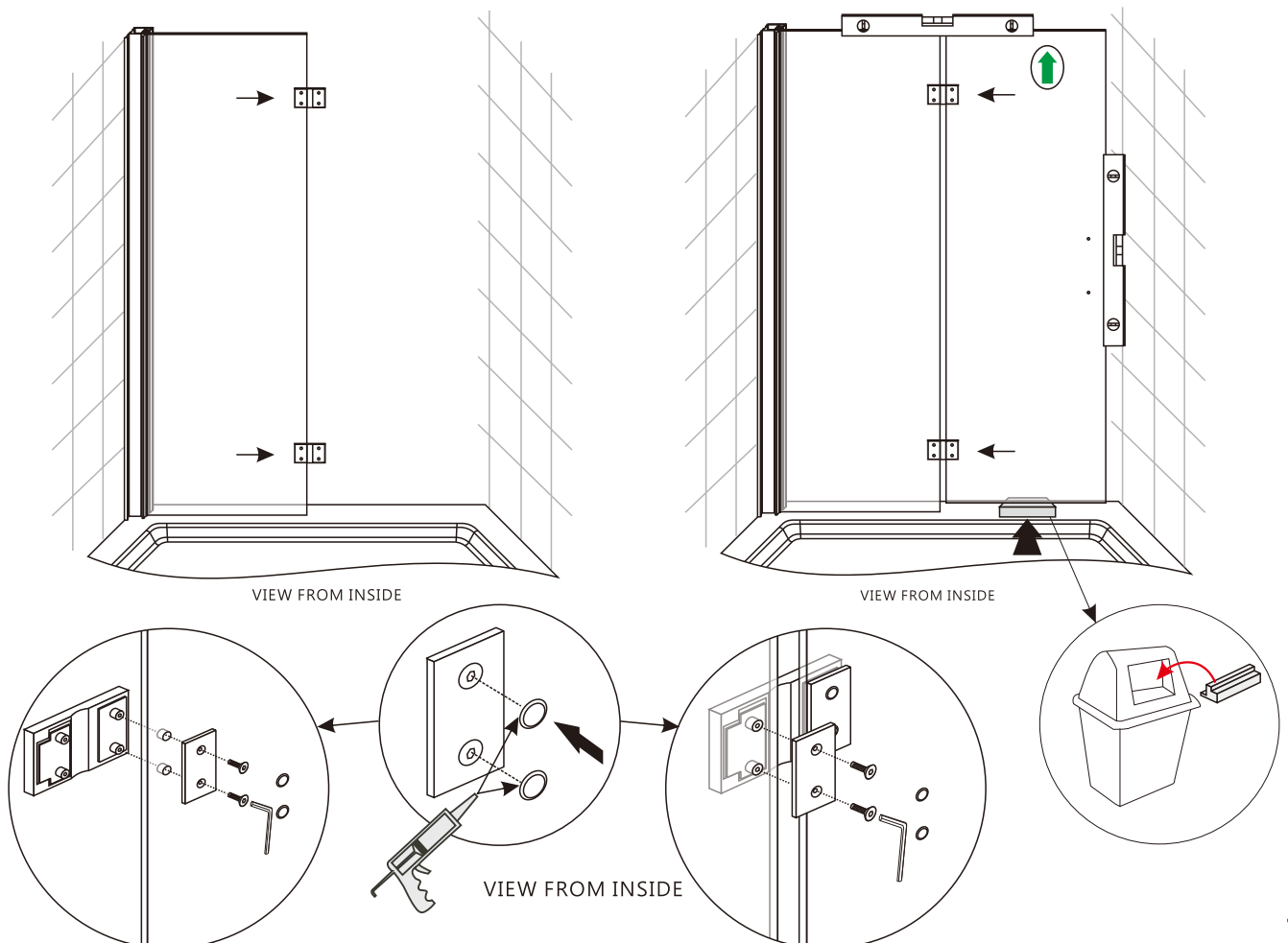
### STEP 2



### STEP 3

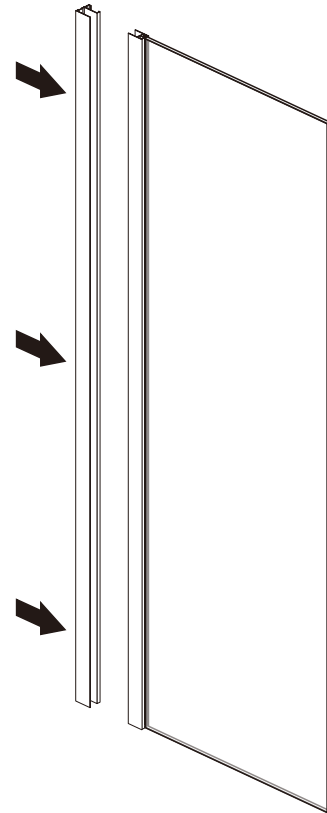


### STEP 4

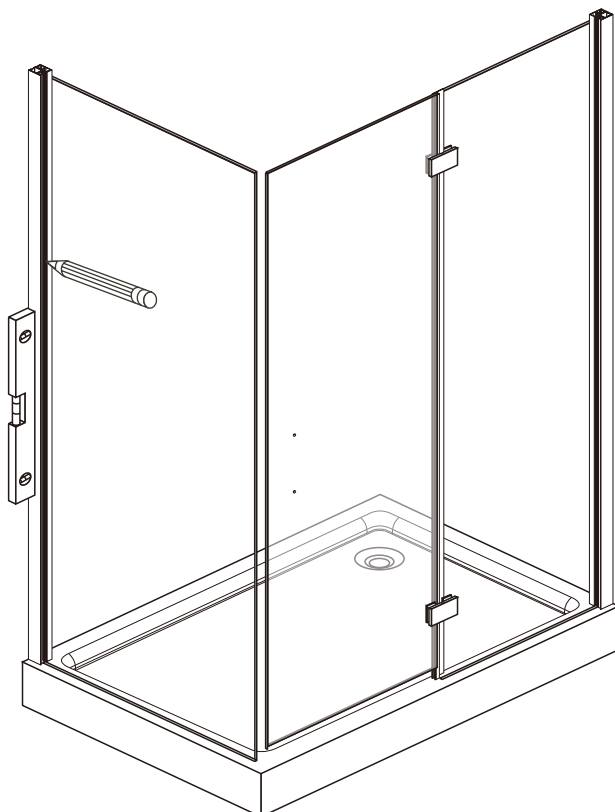
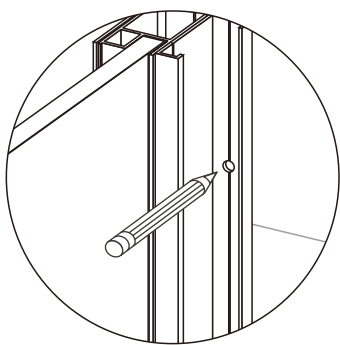


## STEP 5

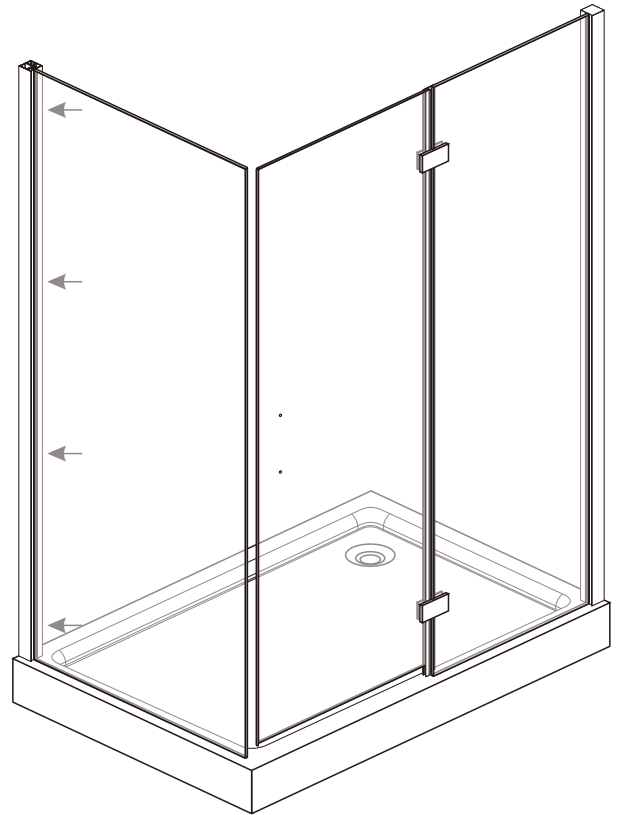
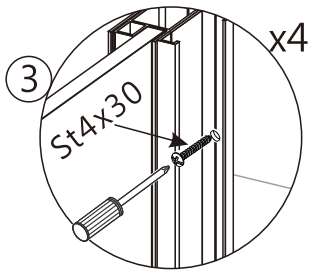
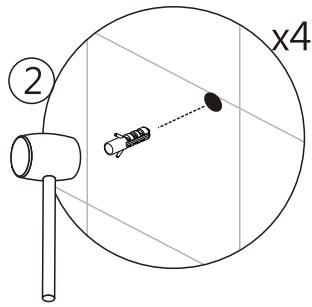
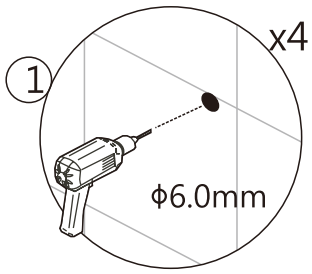
760(LSP7602)	800(LSP802)	900(LSP902)
730-750	770-790	870-890



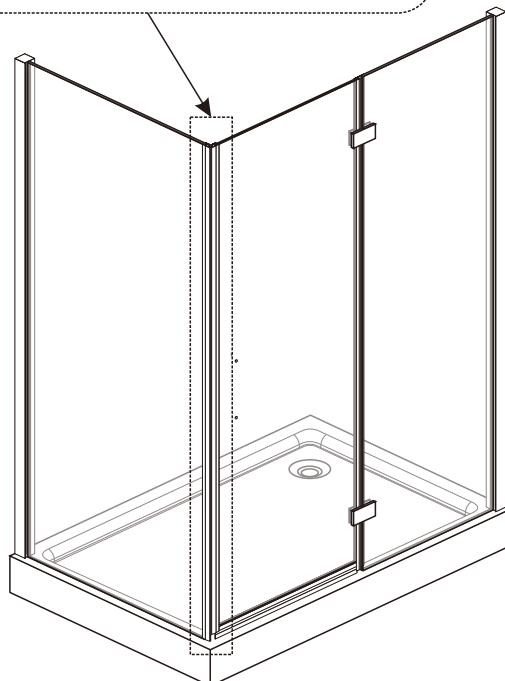
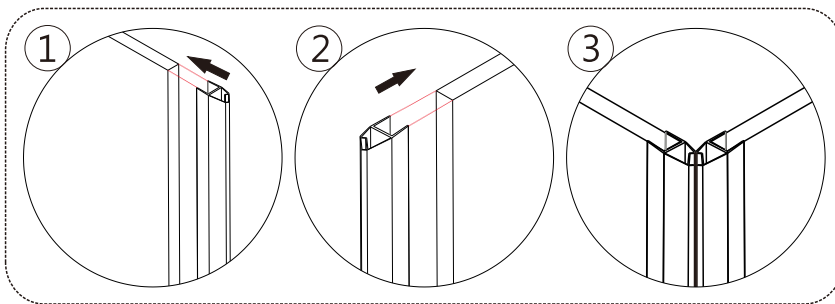
## STEP 6



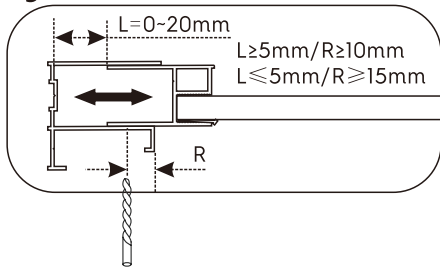
## STEP 7



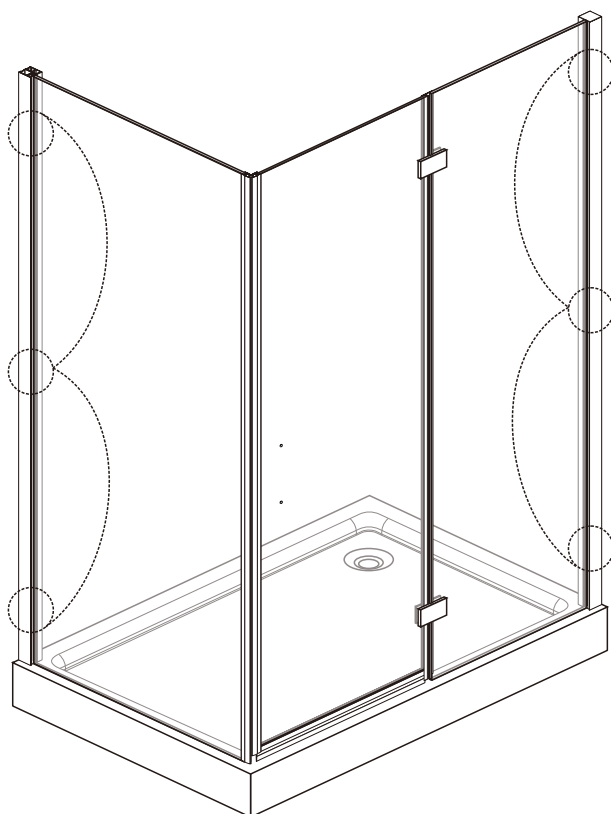
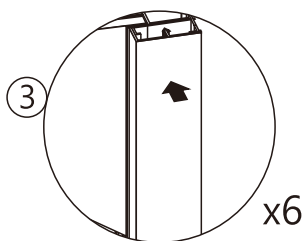
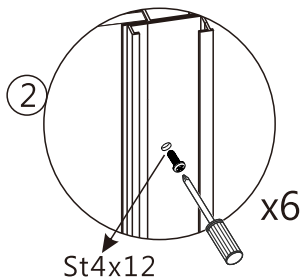
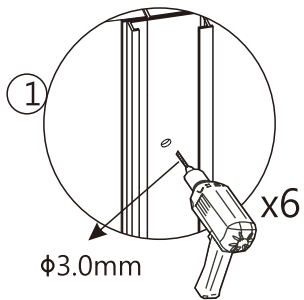
## STEP 8



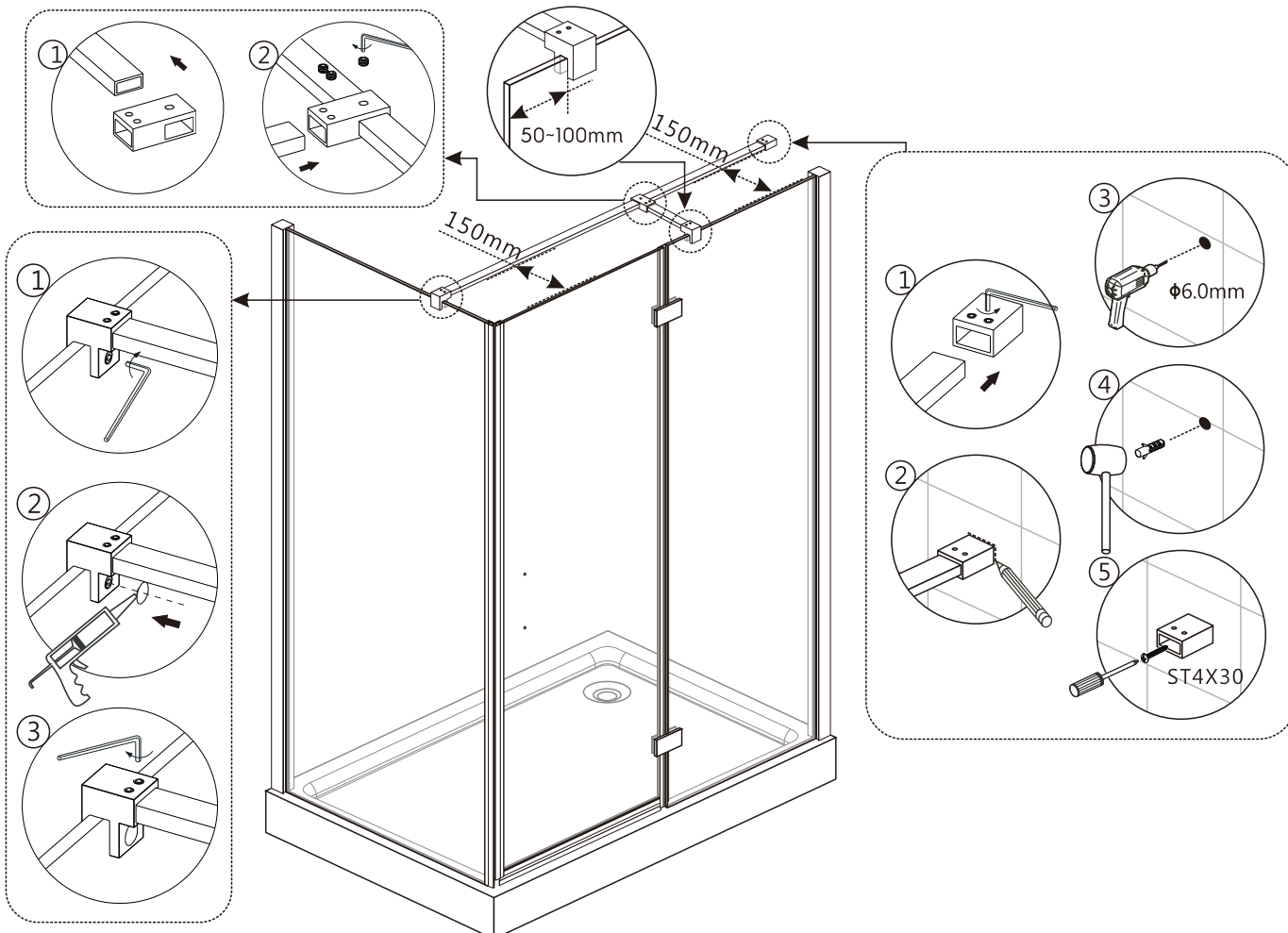
## STEP 9



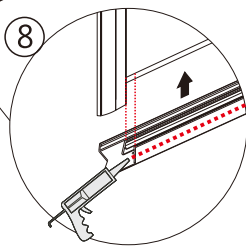
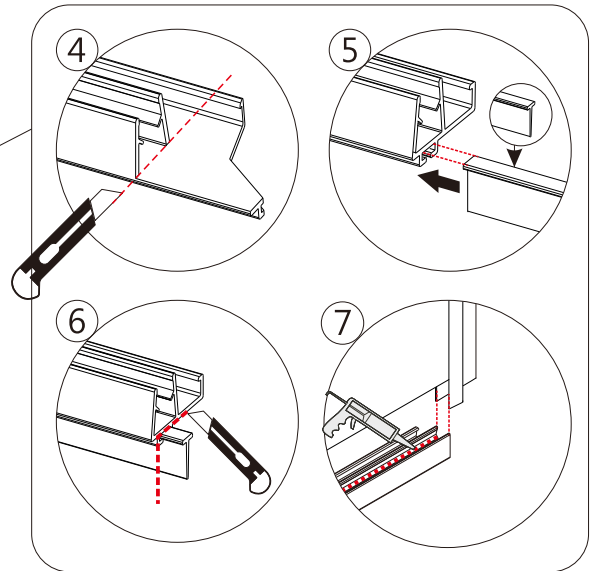
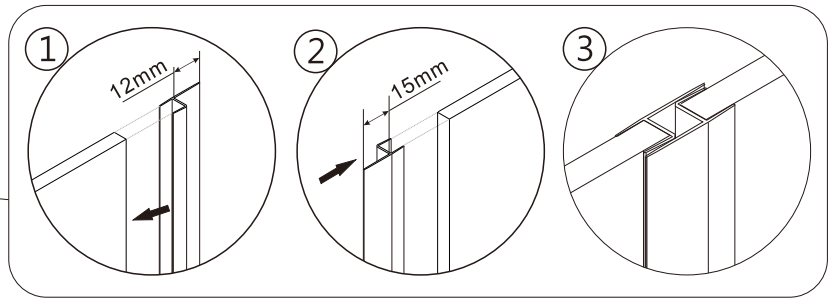
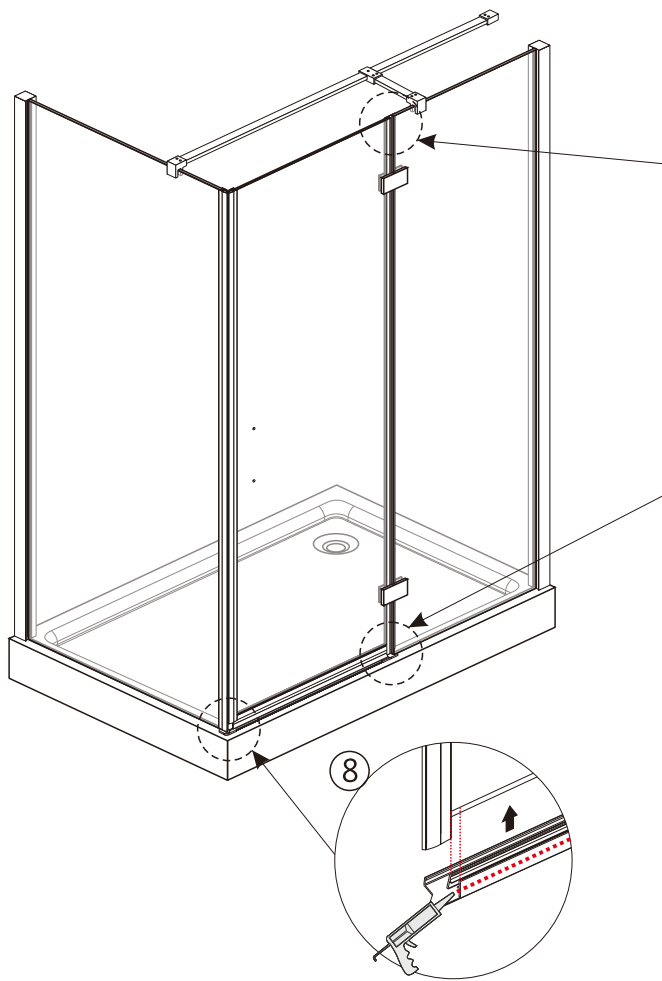
⚠ Take care not to drill into the glass



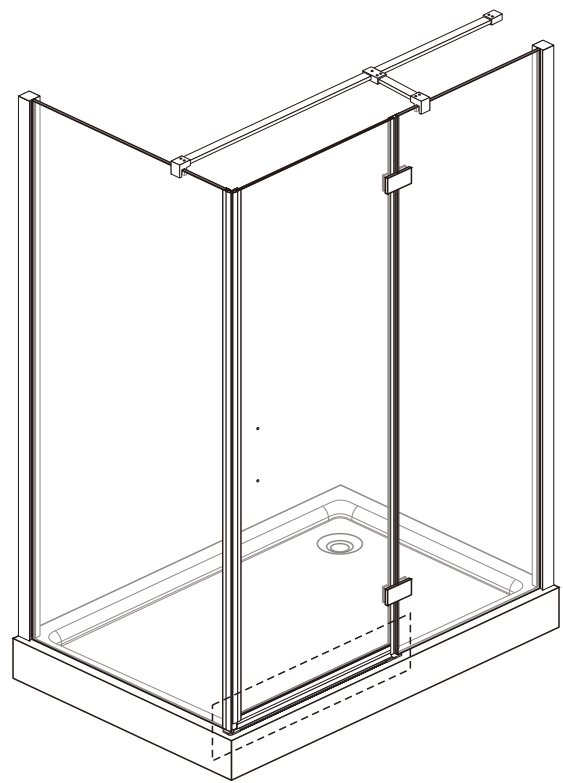
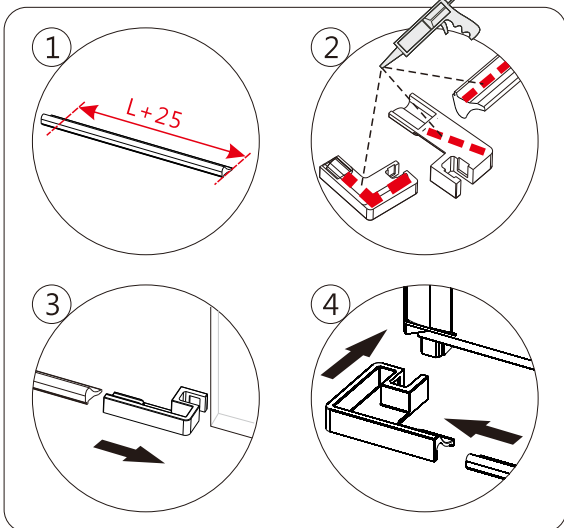
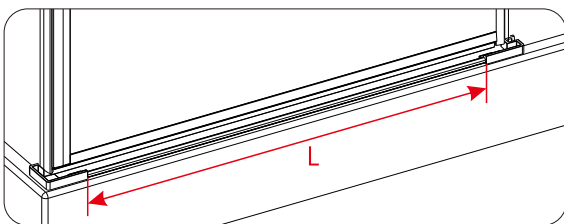
## STEP 10



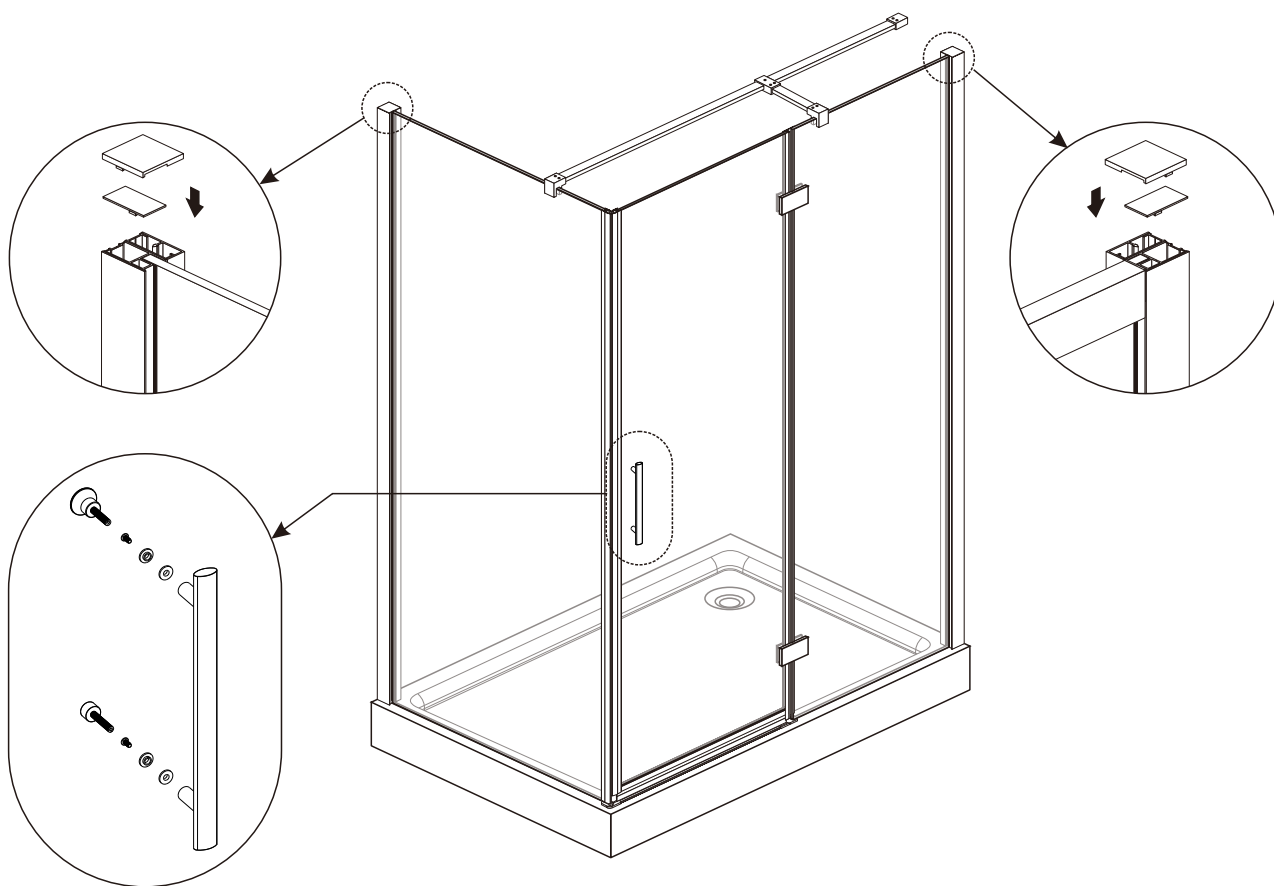
## STEP 11



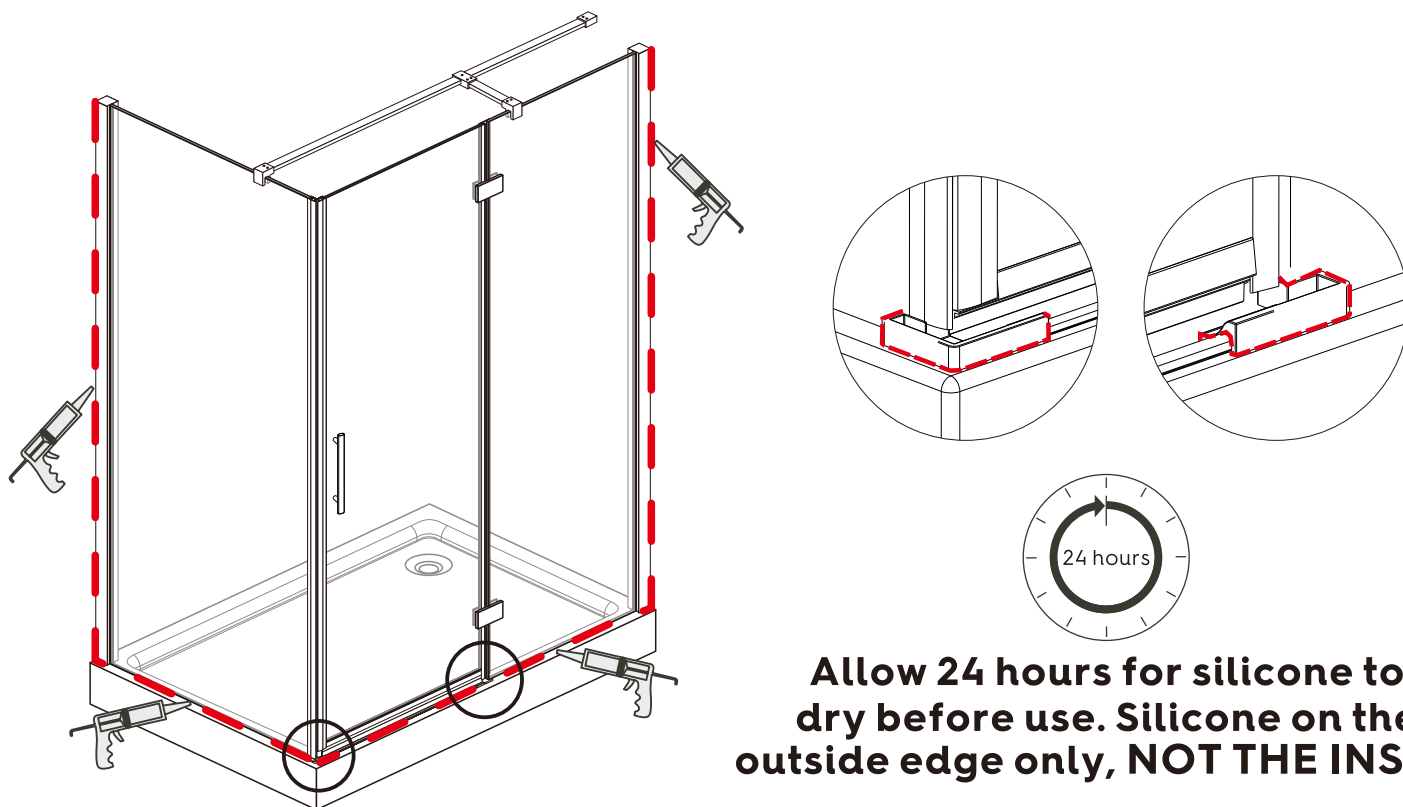
## STEP 12



## STEP 13



## STEP 14



**Allow 24 hours for silicone to dry before use. Silicone on the outside edge only, NOT THE INSIDE**

### Aftercare instructions

Regularly clean your shower product with warm soapy water to prevent lime scale build up. **DO NOT** use abrasive cleaning fluids or materials, or strong chemical cleaners as this will damage the product surface.