

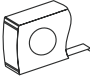


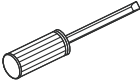
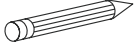
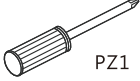

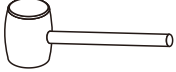
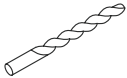



SIDE PANEL FOR 8MM FRAMELESS SLIDING DOOR GUIDE




General Information

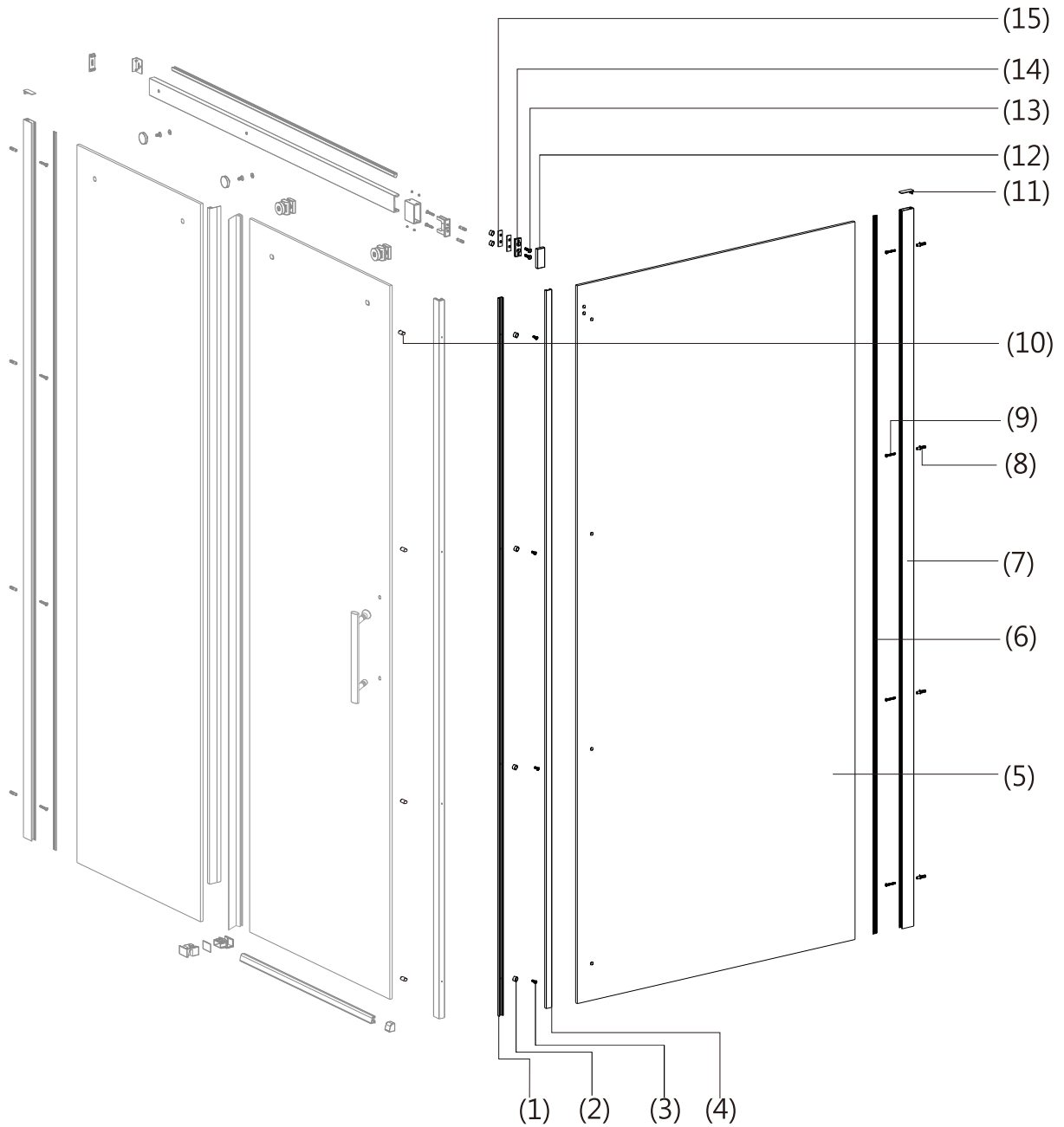
Please inspect this product upon delivery. Any missing parts or manufacturing defects must be reported immediately to the supplier. Damage or defects reported later will not be accepted. TAKE CARE WHEN HANDLING GLASS PARTS-AVOID HEAVY CONTACT BETWEEN THE GLASS EDGES AND ANY HARD SURFACE. Glass breakage claims will not be accepted after the product has been unpacked.

TOOLS REQUIRED

| DESCRIPTION | PART IMAGE | DESCRIPTION | PART IMAGE |
|----------------|---|------------------------|---|
| Tape measure |  | Drill |  |
| Spirit level |  | Flat-head Screwdriver |  |
| Pencil |  | Cross head Screwdriver |  |
| Ø6mm Drill bit |  | Mallet |  |
| Ø3mm Drill bit |  | Silicone Sealant |  |
| Ø4 Allen Key |  | Ø2 Allen Key |  |

 This product is heavy and may require two people to install.

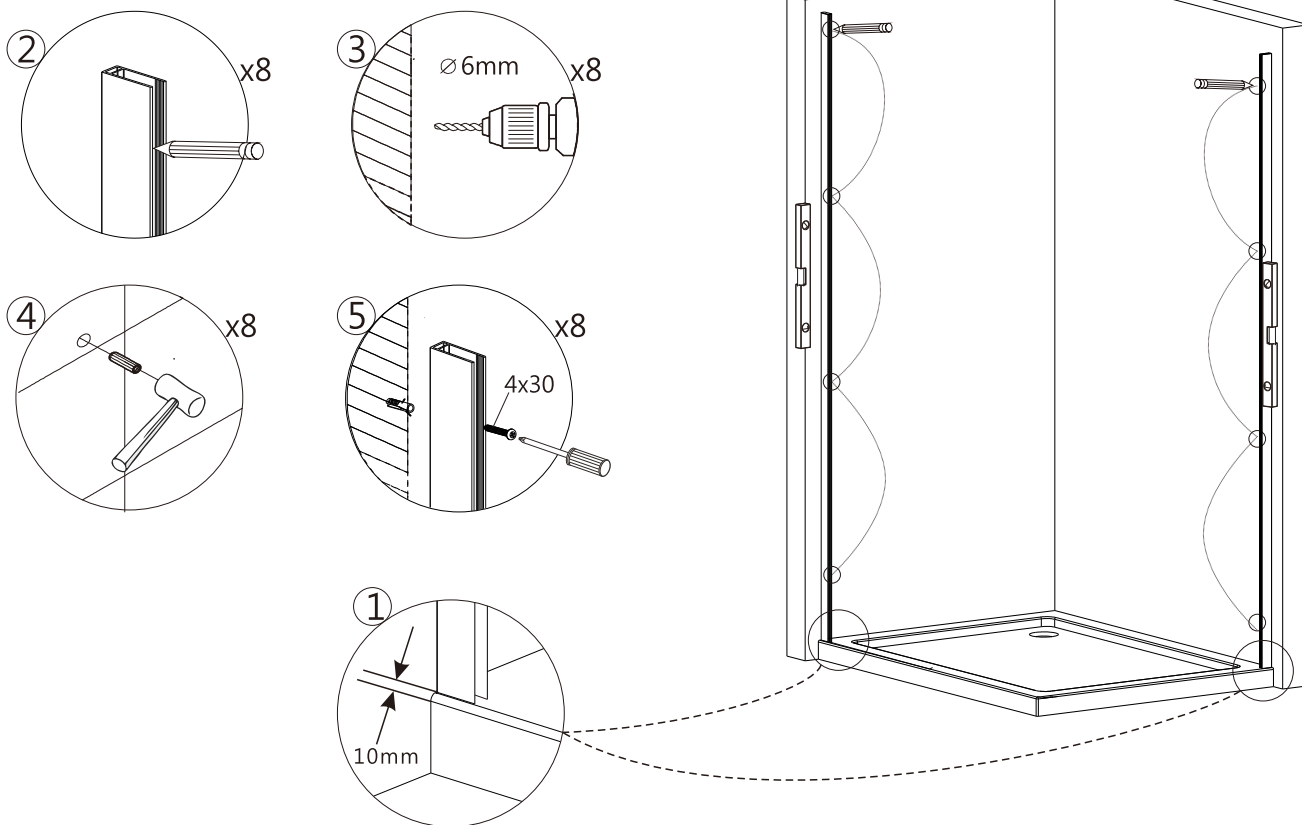
ASSEMBLY INSTRUCTIONS - DRAWING



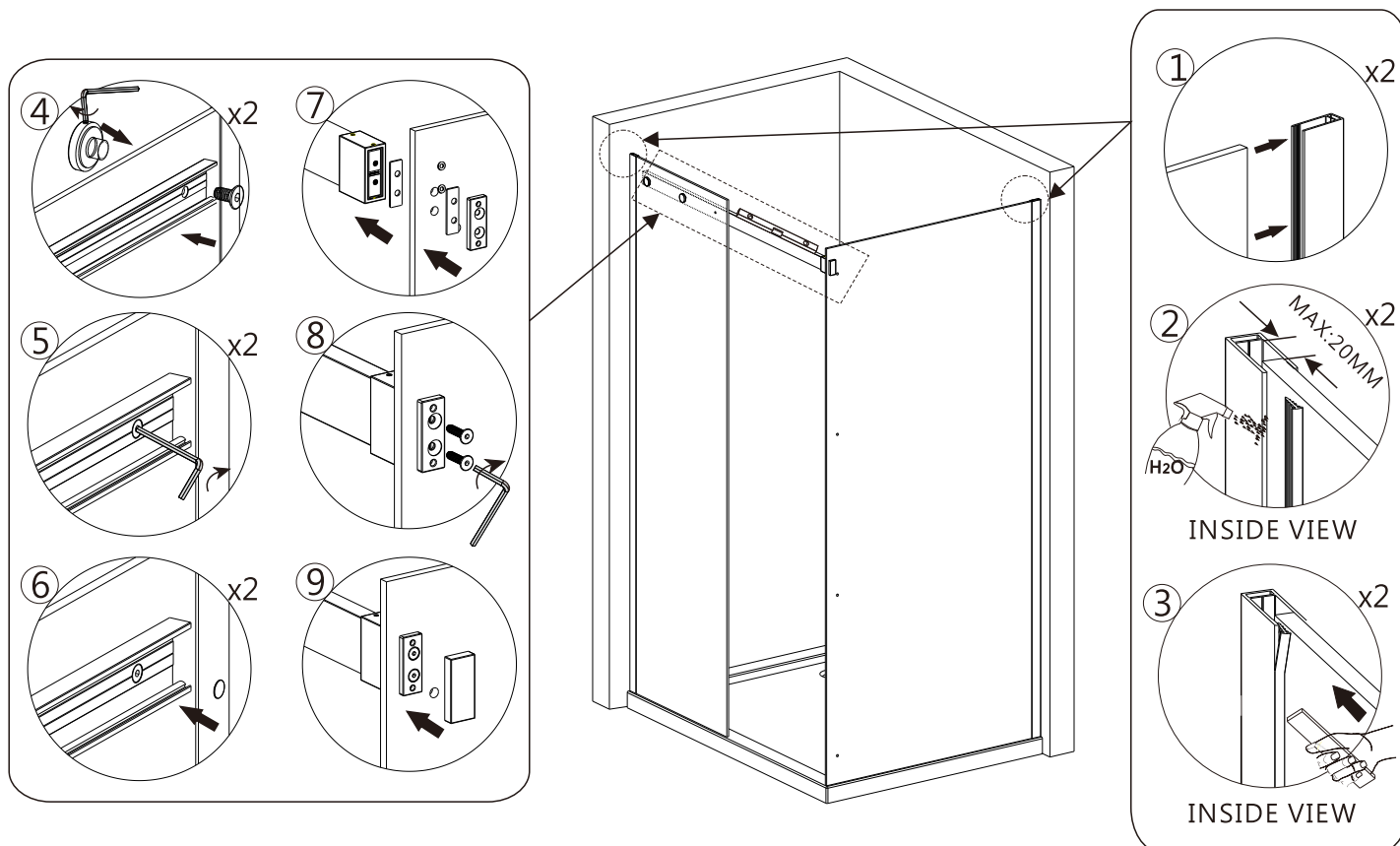
- (1) 1x Seal B
- (2) 6x PVC Hoses
- (3) 4x Screws 4x16
- (4) 1x Seal A
- (5) 1x Fixed Panel
- (6) 1x Wedge Gasket Seal
- (7) 1x Wall Profile
- (8) 4x Wall Plugs
- (9) 4x Screws 4x30 } In Door Panel Box
- (10) 4x Bump Stops
- (11) 1x Wall Post Cover Cap B
- (12) 1x Cover Cap (Guide Rail)
- (13) 2x Screws M5x20 (Sink Head)
- (14) 1x Outer Washer
- (15) 2x Inner Washers

CORNER INSTALLATION WITH A SIDE PANEL

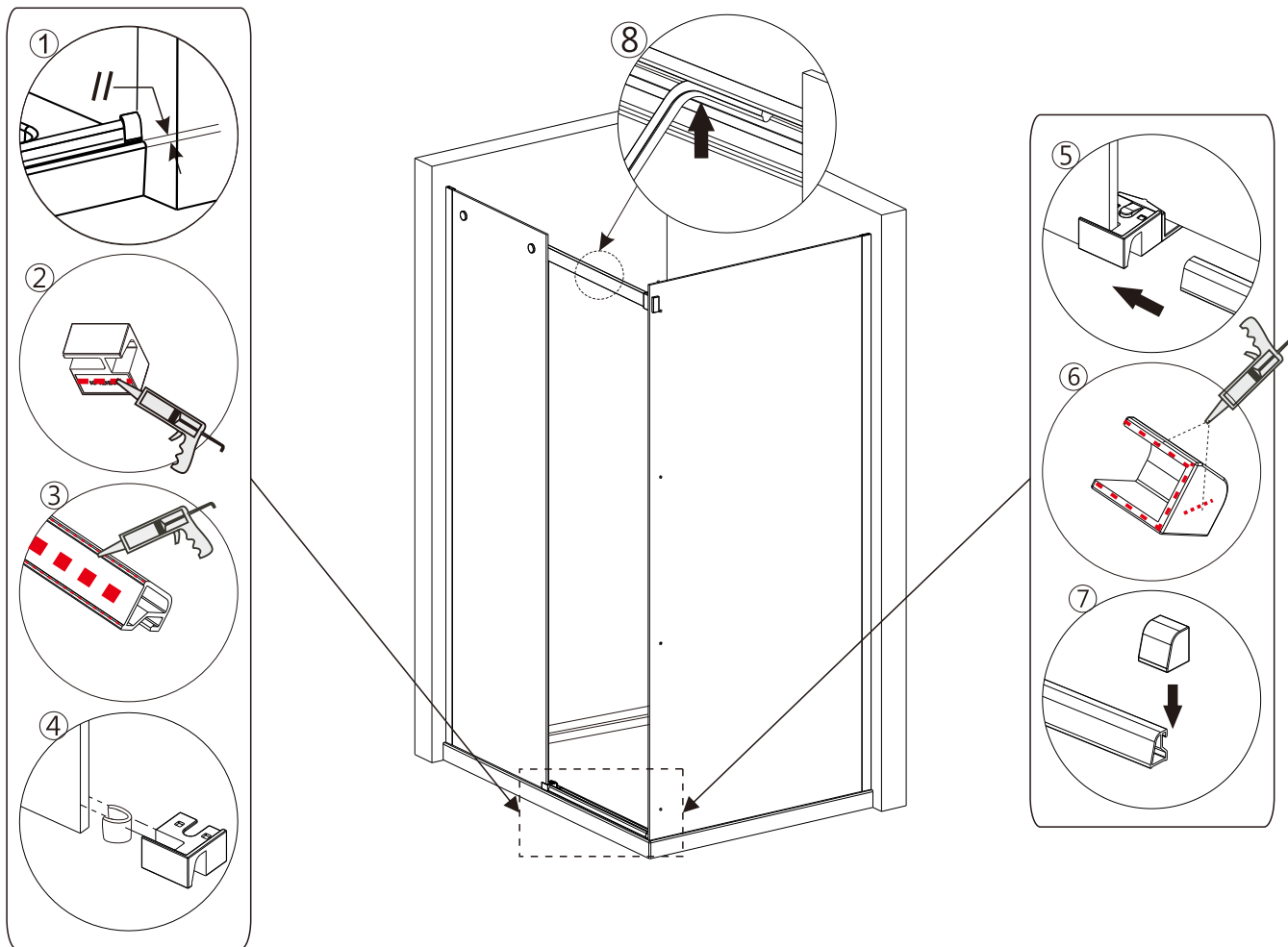
STEP 1



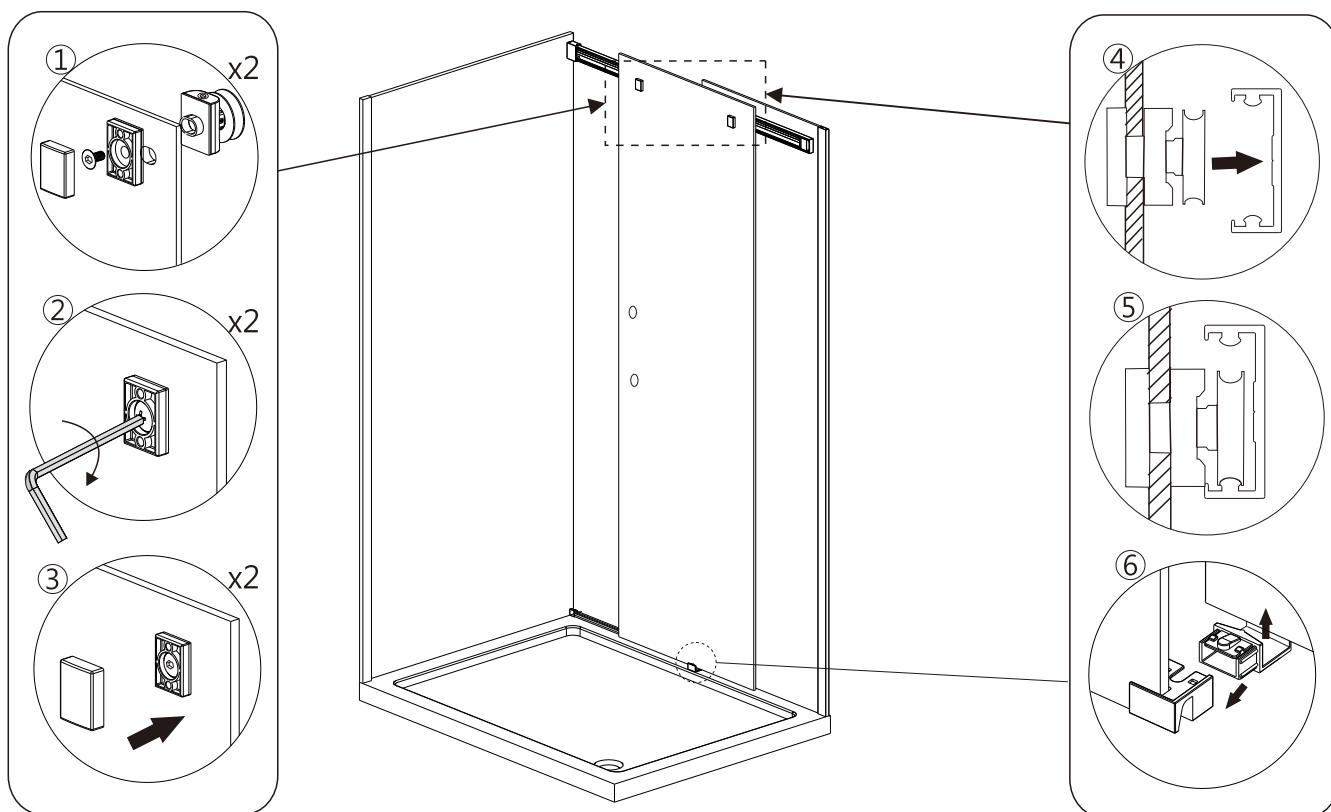
STEP 2



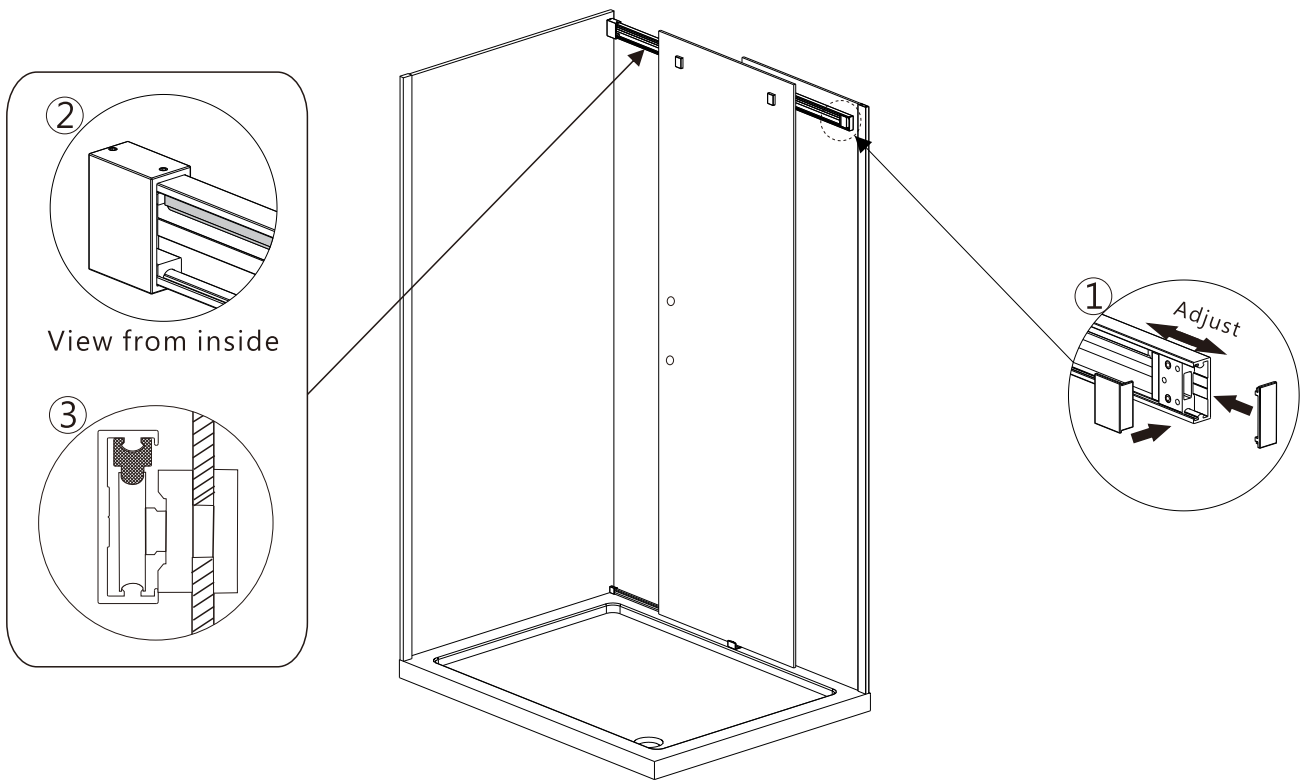
STEP 3



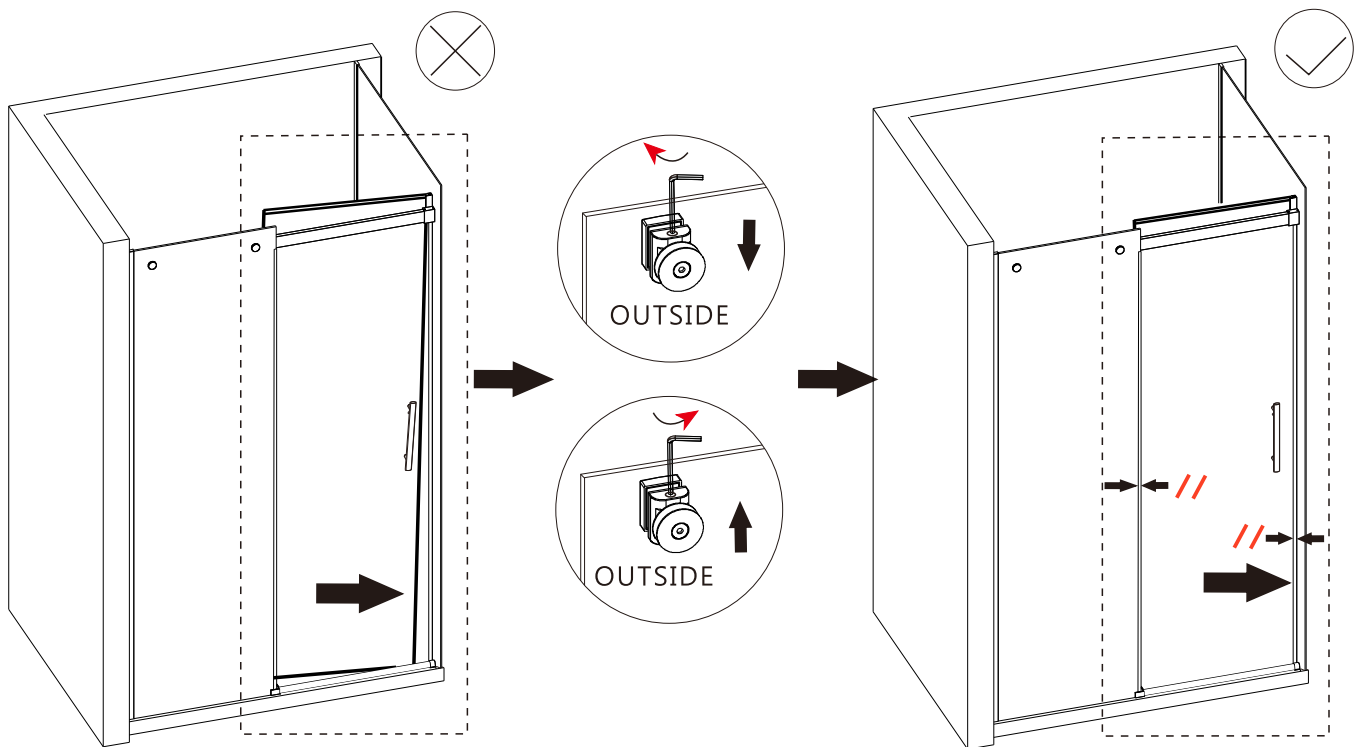
STEP 4



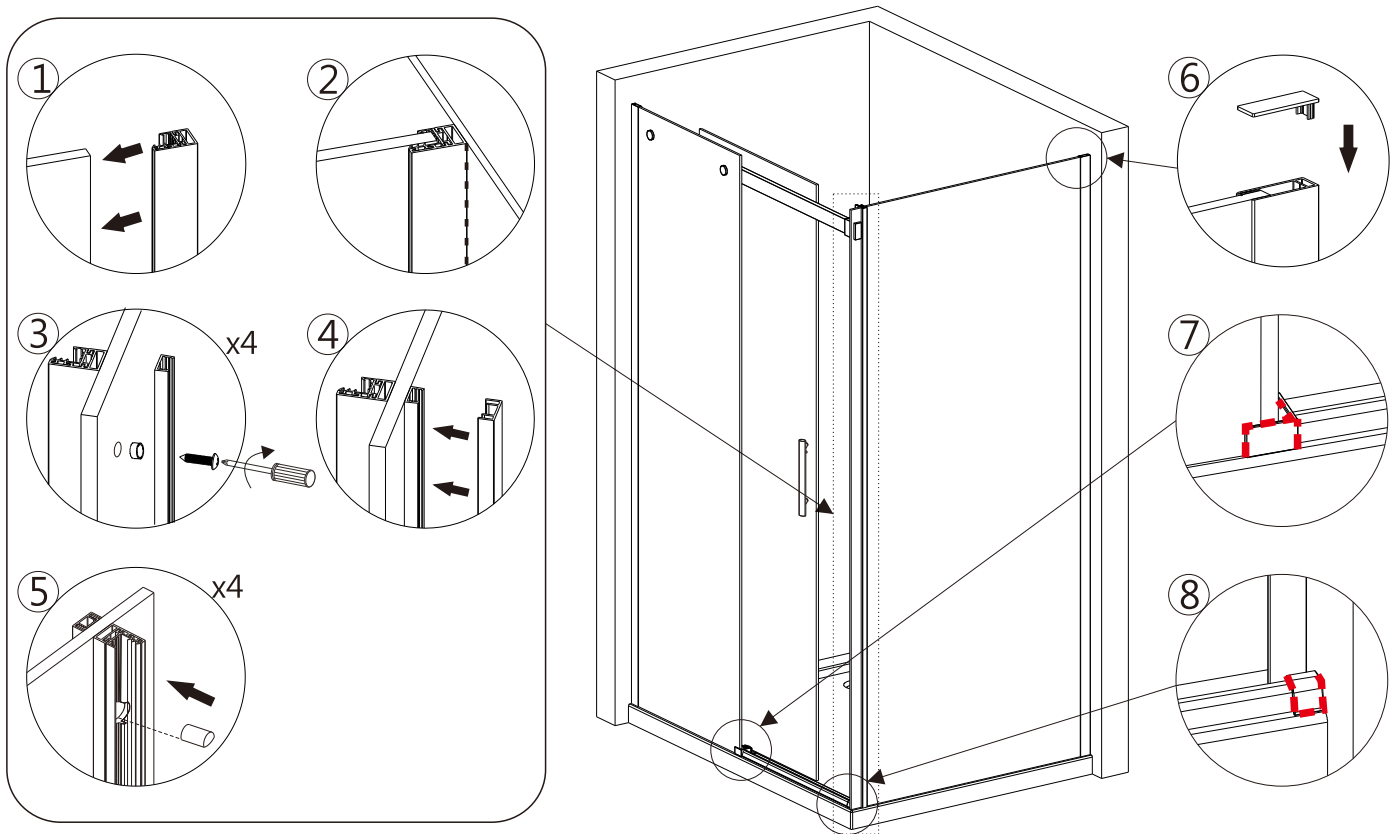
STEP 5



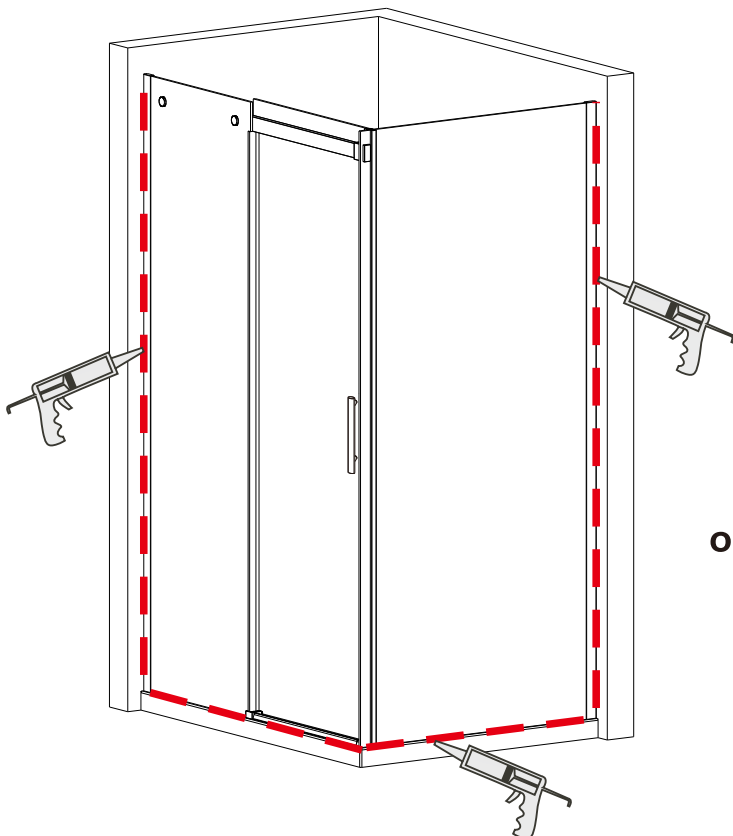
STEP 6



STEP 7



STEP 8



Allow 24 hours for silicone to dry before use. Silicone on the outside edge only, NOT THE INSIDE