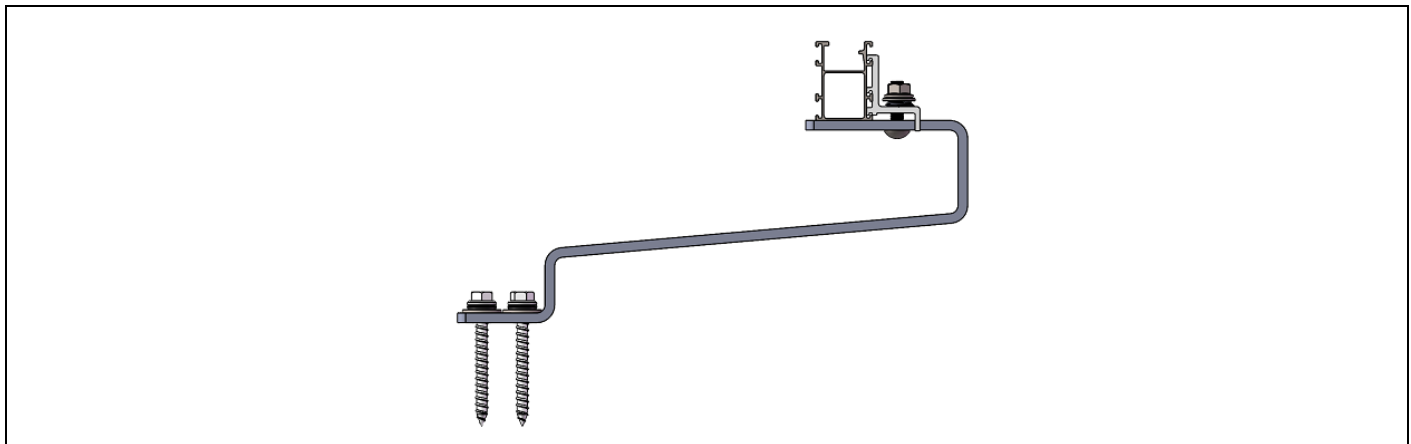
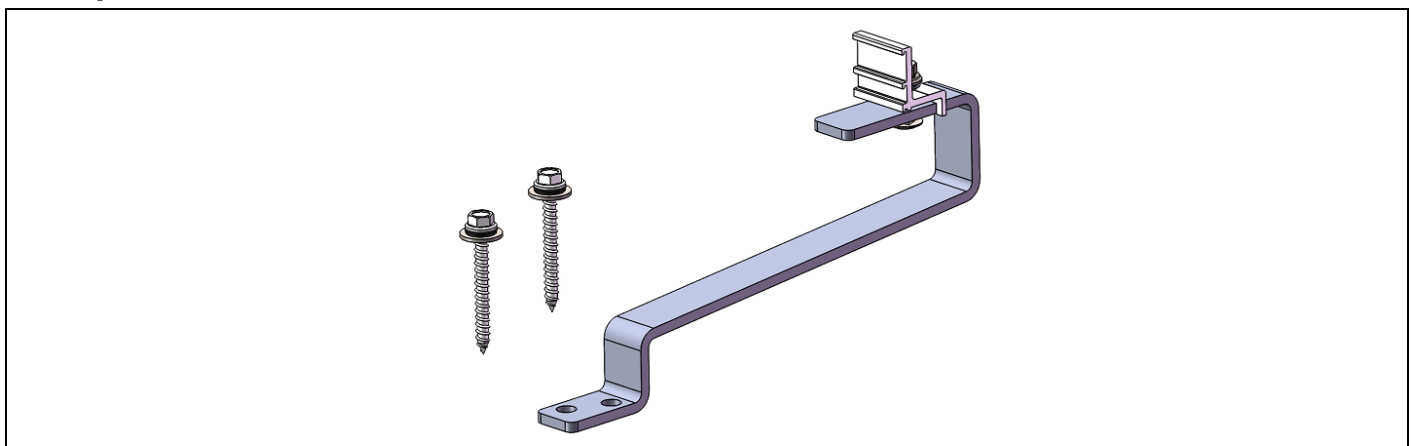


# Flat Tile Interface

## Assembly

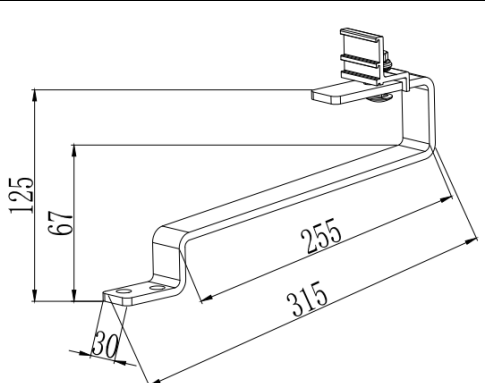


## Component



Flat Tile Interface  
Part No.: ER-I-PRO/02

## Technical Specification

Application	Tile Roof with Timber Purlin	
Screw Specification	2 x Sharp-Point wood screw M8*75mm	
Dimensions	L315*W30*H125mm	
Weight	0.833 kg	
Packaging	12 units per pack, 2 packs (24 units) per carton	
Material	Roof Hook: SUS304 Bolts/Washer/Nuts/Spring: SUS304 ezClip: AL6005-T5	
Standard	GB50797   AS NZS1170.2-2011   EN1991   JISC8955   ASCE 7-10	