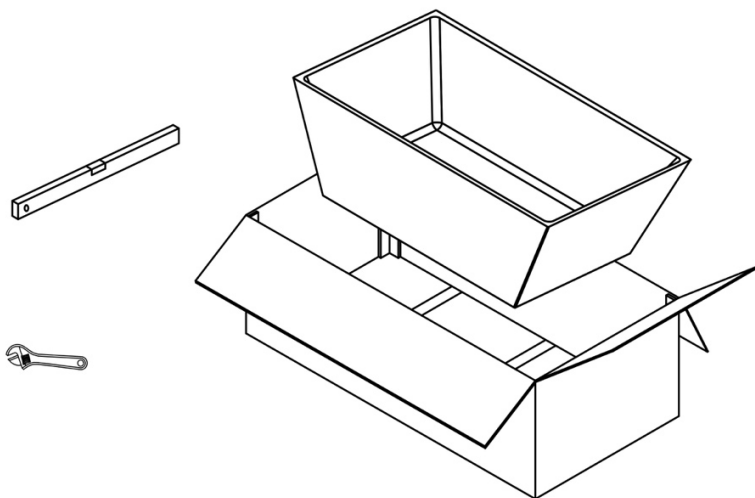
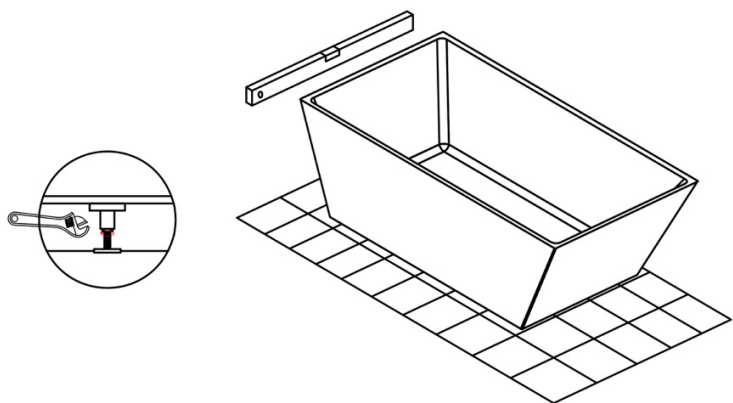


Installation Manual

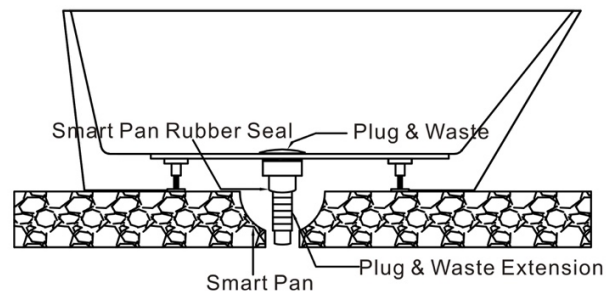
1. Remove the Free Standing Bath from the carton.
Ensure that the Free Standing Bath does not come into contact with rough surface.
Rough surface will scratch your Free Standing Bath.
Always ensure that the Free Standing Bath is placed on cardboard or carpets during installation.
Place the Free Standing Bath in position for installation.



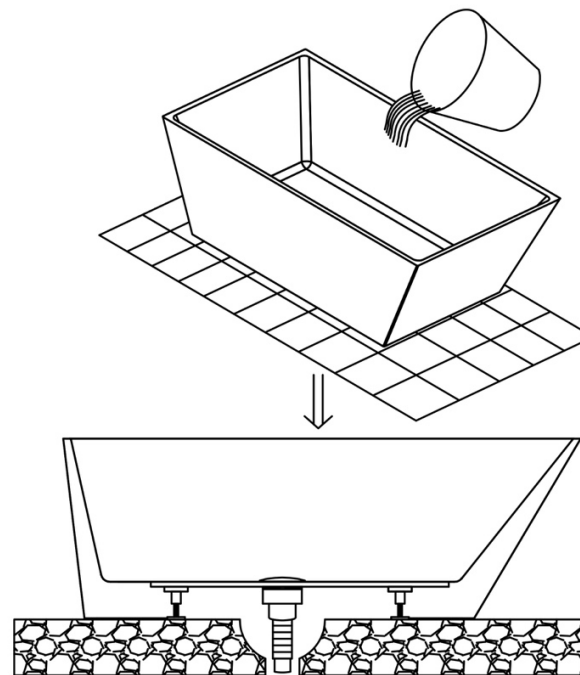
2. Adjust the self-levelling feet to ensure that the Free Standing Bath is level.
Only if the Free Standing Bath is level will all water drain to the waste outlet.
Please ensure legs are adjusted in line with the base of bath.



3. Connect the Free Standing Bath to the waste outlet.



4. Finally you need to do a final test for drainage.
Ensure that the thin masking plastic adhered to your bath during the manufacturing manufacture has been removed.
Fill the Free Standing Bath with water and check that ALL the water flows freely to the waste outlet.
A small amount of water may pool owing to surface tension.



5. Apply a thick bead of silicone around the bath outline allow to set 24 hours.
The waste connection should be undertaken by a qualified tradesman.

Check out our full range of Bathroom Suites

Bathroom Suites By Range

Cloakroom Suites

Toilets

Bathroom Sinks / Wash Basins

Bidets

Baths

Wide variety of toilets

Close Coupled Toilets

Wall Hung Toilets

Back To Wall Toilets

Furniture unit toilets

Huge Selection of Baths

Acrylic Baths

Steel Baths

Shower baths

Freestanding baths

Small baths

Corner baths

Whirlpool baths

Don't forget the important bathroom suite extras

Bath panels

Toilet seats

plumbworld
Big brands, small prices.