

CR SHXDIVFF C

CARRE Shower Range Carre Exposed Fixed Head Bar Shower with Diverter & Kit



Features:

- Supplied with our wallmount 12 fixing kit. The simplest solution for installing, maintaining and replacing bar showers, using built in front-of-wall isolation valves
- Thermostatic cartridge with preset temperature stop at 38°C, can be over-riden to a maximum of 46°C
- Dual control - flow and temperature are controlled separately
- Automatic shut-off in the event of hot or cold water supply failure
- Integral diverter to shower handset

Product Certifications:



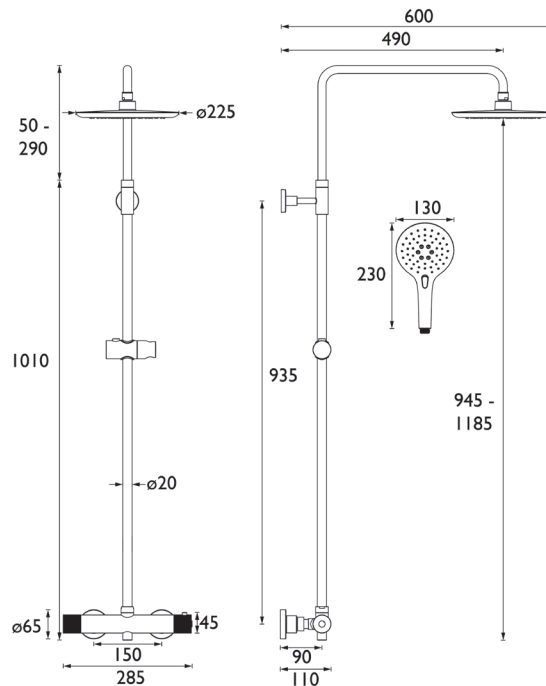
For more products, visit our website:
<http://www.bristan.com>



Specification

Finish/Colour:	Chrome Plated
Main Construction Material:	Brass
No of Controls:	2
Shower Type:	Bar Shower
Shower Head Type:	Both
Shower Kit:	Telescopic Riser
Valve/Cartridge Type:	Thermostatic
Maximum Hot Water Supply Temperature °C:	65
Plumbing System Suitability:	Suitable for all plumbing systems, ideally balanced
Minimum Dynamic Pressure (bar):	0.5
Maximum Dynamic Pressure (bar):	5
Maximum Static Pressure (bar):	10
Connection Inlet:	15mm Compression
Connection Outlet:	G 1/2"
Isolation Valve Included:	Yes
Check Valve Included:	Yes

Dimensions (measurements in mm)



Flow Rates (l/min)

System Pressure (bar)	0.5	1	2	3	4	5
Through Handset (mixed)	6.5	9.2	13	15.9	18.4	20.5
Through Fixed Head (mixed)	3.9	5.7	8.2	10	11.6	12.9

TECHNICAL DATA SHEET



BRISTAN

D12