

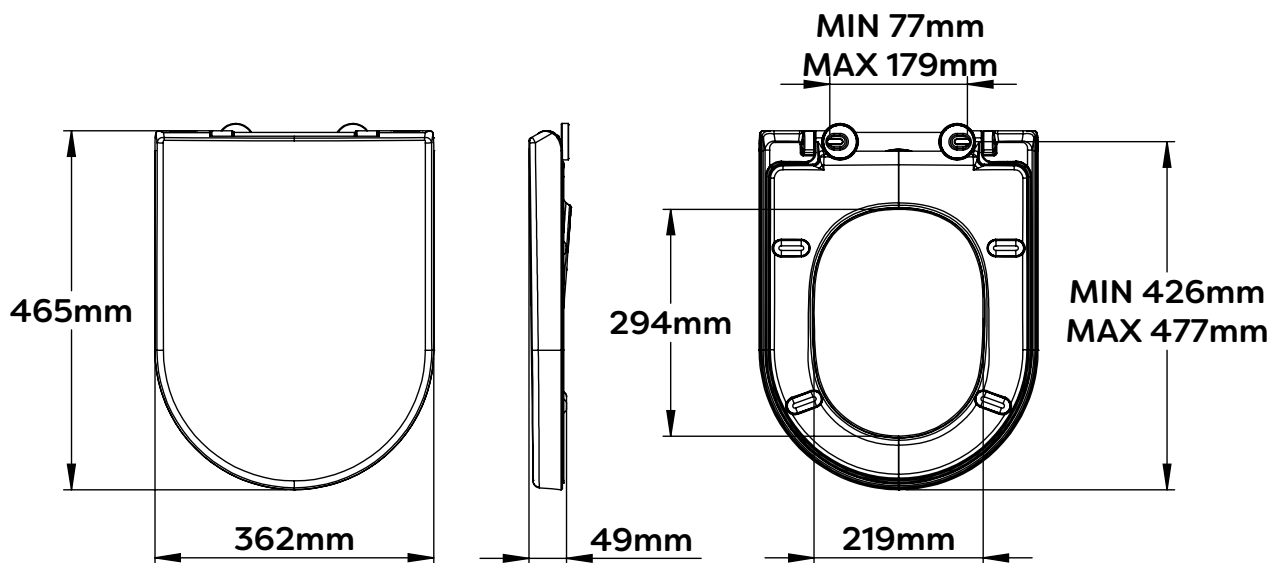


KEY FEATURES & BENEFITS



SPECIFICATION

| | |
|------------|---|
| Materials | <ul style="list-style-type: none"> • Lid & Ring: Thermoset Plastic (Polypropylene) • Hinge Barrel Casing: Thermoset Plastic (Polypropylene) • Decorative Cover Caps: Polypropylene • Brackets: Nylon • Hinge Pins: Stainless Steel • Seat & Lid Buffers: LDPE & EVA |
| Colours | <ul style="list-style-type: none"> • Lid & Ring: White • Decorative Cover Caps: White |
| Dimensions | <ul style="list-style-type: none"> • 49mm(H) x 362mm(W) x 465mm(D) |
| Weight | <ul style="list-style-type: none"> • 1400g |
| Features | <ul style="list-style-type: none"> • Made from resilient polypropylene - Durable and easy to maintain. • Soft Close Hinges - Prevents slamming, reduces wear for longer product life. • Adjustable Hinges - Fits all standard D-Shapes toilets. |



***The adjustable hinges on the toilet seat are suitable for use with BS EN 33 compliant WC pans. BS EN 33 fixing hole centres are between 145mm and 165mm.**

ALL DIMENSIONS ARE NOMINAL

SPECIFICATION

| | |
|--------------|---|
| Standards | <ul style="list-style-type: none"> • Minimum grade 9 when assessed using BS EN ISO 10289 after 48 hours Neutral Salt Spray (NSS) testing in accordance with BS EN ISO 9227. |
| Applications | <ul style="list-style-type: none"> • Domestic • Residential • Hotels |
| Product Care | <ul style="list-style-type: none"> • Clean surfaces with a damp cloth and wipe dry using a soft cloth • Do not use chemical or abrasive cleaners as these may damage the surface finish |
| Guarantee | <ul style="list-style-type: none"> • Consumer Statutory Rights Apply |