

ALL ILLUSTRATIONS OF THE PRODUCT ARE FOR REFERENCE ONLY.
COMPONENTS SUPPLIED WITH INDIVIDUAL PRODUCTS MAY DIFFER.

ALWAYS READ THROUGH AND FULLY UNDERSTAND THE INSTRUCTION LEAFLET BEFORE STARTING THE INSTALLATION OF THIS PRODUCT.



ALWAYS CHECK THE PACKAGING AND ENSURE YOU HAVE ALL FIXINGS AND COMPONENT PARTS DETAILED IN THIS INSTRUCTION LEAFLET BEFORE RECYCLING OR DISPOSING OF THE PACKAGING.

ALWAYS ENSURE YOU HAVE ALL THE FIXINGS AND COMPONENT PARTS BEFORE ATTEMPTING TO ASSEMBLE OR FIT THIS PRODUCT.

Thank you for purchasing this Croydex product. Follow the fixing and care instructions in this manual to ensure that your product is fitted safely and that it retains its high quality finish.

RETAIN THIS MANUAL FOR FUTURE REFERENCE.

ADDRESS (UK)

Croydex
Central Way
Andover, Hampshire
SP10 5AW, UK

ADDRESS (EU)

MIL, Unit 8
Purcellsinch Ind Est
Dublin Road, Kilkenny
R95 HP71, Ireland

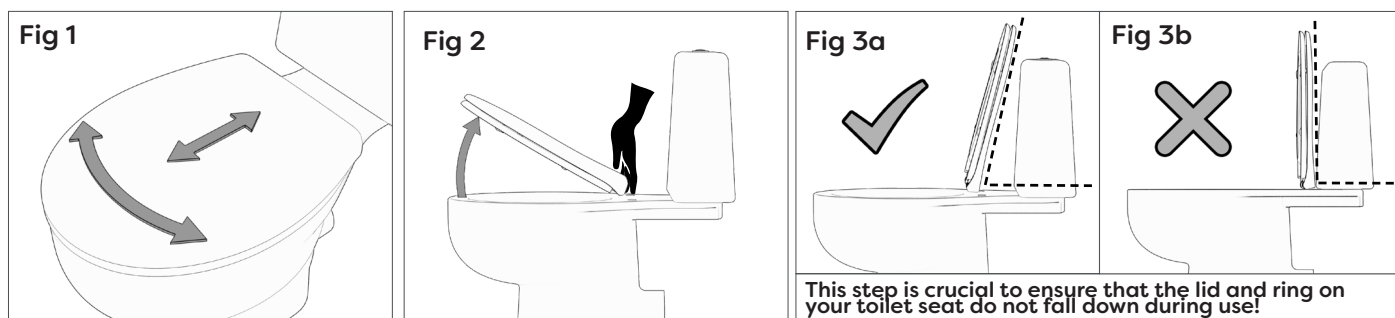
1 - INTRODUCTION

SAFETY & PRODUCT CARE

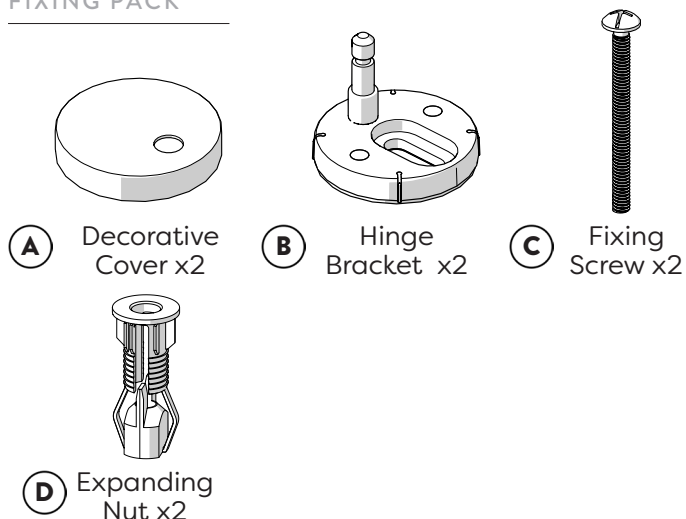
- 1. ALWAYS** make sure all parts are present. If any part is damaged or missing, do not attempt to fit this product.
- 2. ALWAYS** keep all tools out of reach of children.
- 3. DO NOT** use power tools for assembling the product including power drills and power screwdrivers.
- 4. DO NOT** force the seat down or closed as this can cause damage to the product and its function.
- 5. DO NOT** force open the seat beyond its mechanical limit before fitting it. This will damage the product.
- 6. DO NOT** open the lid and ring before mounting on the toilet pan.
7. Ensure the seat is still locked in place after cleaning. In some instances, the quick release button may be activated when cleaning the toilet seat surface.
- 8. DO NOT** place heavy objects on the lid and avoid dropping items onto the seat.
9. Avoid installing in locations with strong sunlight and keep away from direct heat.
- 10. DO NOT** use abrasive cleaners, chemical cleaners or stiff brushes as these may damage the product.
11. To retain the best quality finish, clean product with a soft cloth and a mild soap solution applied directly to the cloth.

PRE-INSTALLATION

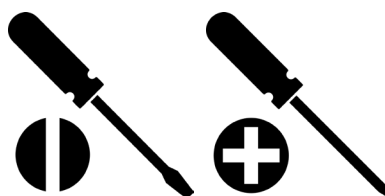
1. Remove the old seat from the toilet pan and clean the surface around the fixing holes.
2. Ensure the surfaces around the fixing holes are completely dry and free of any dust or debris before beginning the installation.
3. To ensure you do not drop any components in the toilet pan, place cling film over the toilet bowl.
- 4. COMPLETE STEPS 4, 5 & 6 BEFORE REMOVING THE HYGIENE FILM** from the toilet seat. Position the seat over your toilet pan to ensure the shape and profile of the toilet seat matches your toilet pan. **(See Fig. 1)**
5. Align the front edge of the toilet seat with the front of your toilet pan. Hold your hand at the back of the toilet seat and using it as a pivot, raise the toilet seat. **(See Fig. 2)**
6. The seat must be able to rest backwards at an angle. If it cannot rest at an angle and can only rest vertically. The seat **WILL NOT** function correctly. **(See Fig. 3A & 3B)**
- 7. ONLY AFTER YOU ARE SATISFIED THAT THE TOILET SEAT WILL FIT YOUR TOILET PAN SHOULD YOU REMOVE THE HYGIENE FILM.**



FIXING PACK

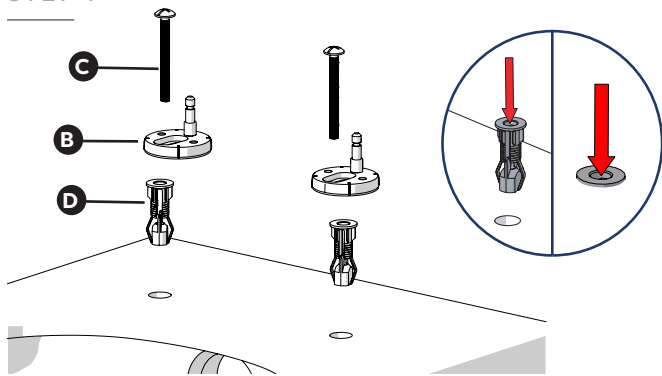


TOOLS REQUIRED



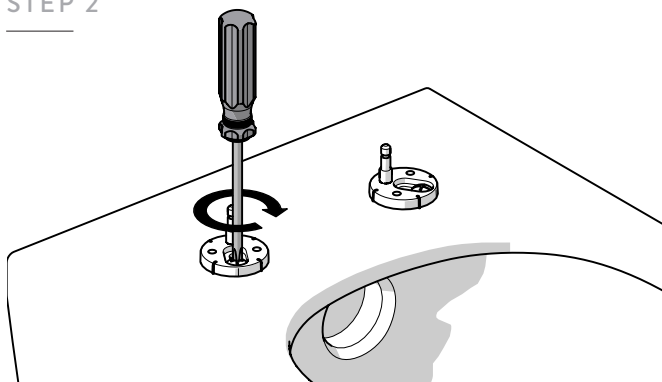
2 - INSTALLATION

STEP 1



Insert the expanding nuts **(D)** into the fixing holes in the toilet pan. Insert the screws **(C)** through the hinge brackets **(B)** and locate into the expanding nuts **(D)**.

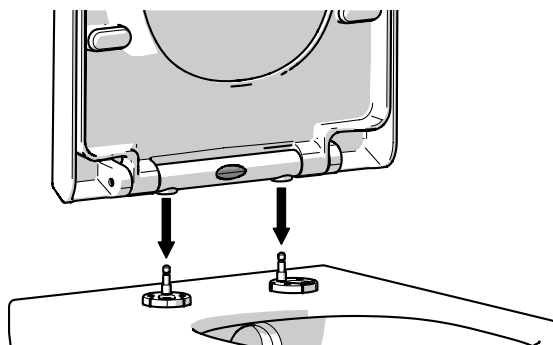
STEP 2



Loosely screw the hinge brackets into position using a flat bladed screwdriver.

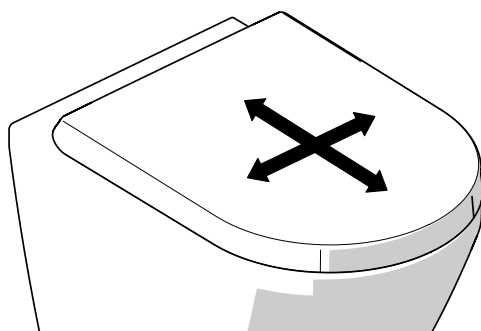
NOTE: ENSURE THAT THE HINGE BRACKETS ARE FREE TO MOVE

STEP 3



Locate the toilet seat onto the hinge bracket pins **(B)** and apply downward pressure to lock the toilet seat into position.

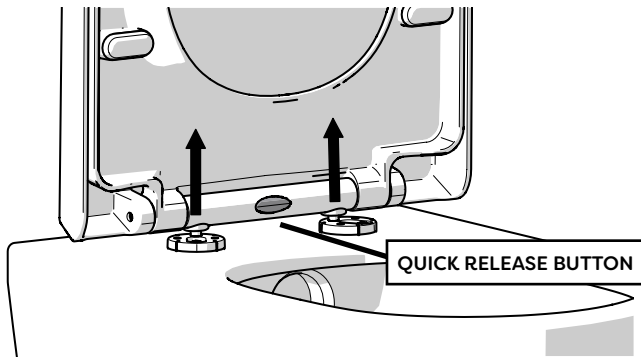
STEP 4



Adjust and align the seat position.

NOTE: ENSURE THAT ALL THE RING BUFFERS ARE ALIGNED WITH THE RIM OF THE TOILET PAN.

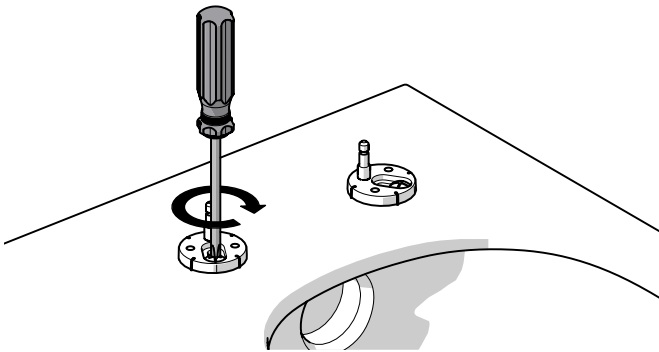
STEP 5



Carefully remove the toilet seat by pressing the quick release button and pulling upwards.

NOTE: DO NOT MOVE THE POSITION OF THE HINGE BRACKETS.

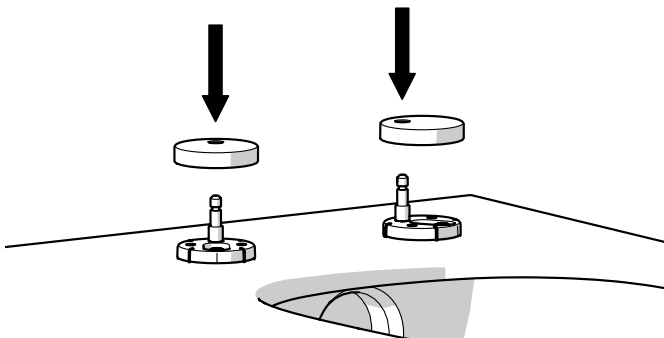
STEP 6



Fully tighten the screws **(C)** with a screwdriver to secure the hinge brackets **(B)** into position.

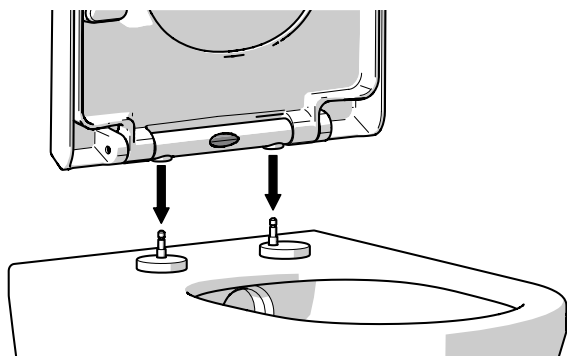
NOTE: DO NOT OVER-TIGHTEN.

STEP 7



Fit the decorative covers **(A)** over the hinge brackets **(B)**.

STEP 8



Re-attach the toilet seat by following Step 2. Your toilet seat is now ready to use.