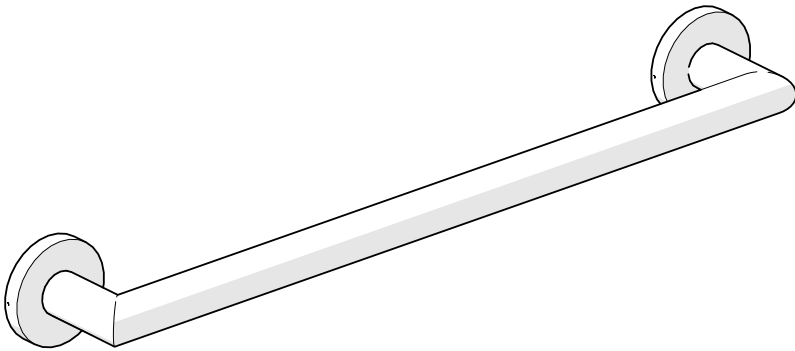
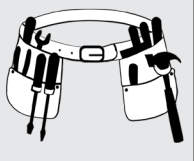
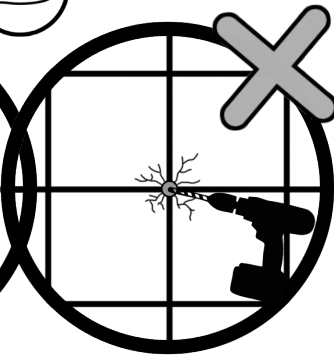
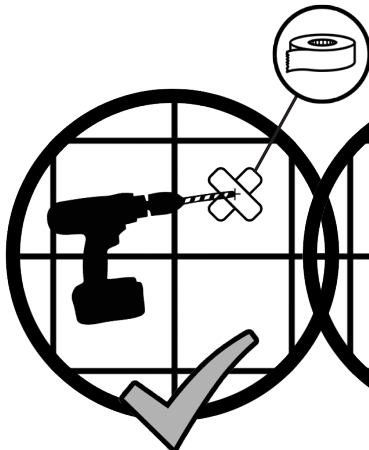
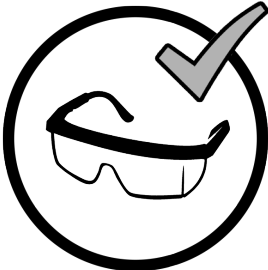




AP506105
AP506205
AP506305
AP506405




EN. Please read the information sheet before proceeding.



 Croydex, Central Way, Andover, Hampshire, SP10 5AW, UK

 +44 (0) 1264 365881

 +44 (0) 1264 356437

 info@croydex.co.uk

 www.croydex.com

S&H 066 R01



For reference only



Parts may vary.
(Optional)



Warning! Please take special care.

Please read all of the information carefully and refer back when you see the numbered icons throughout instructions.

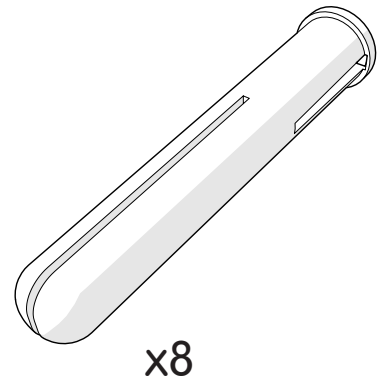
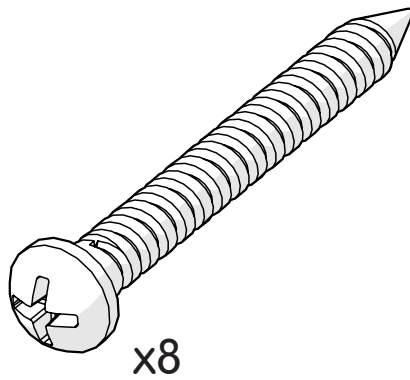
Safety and Care **(EN)**

- 1** Always take care when using power tools, particularly if there is any water in the working area.
- 2** For different wall types you will need to ensure that you are using the correct type of fixing for the material of the wall. Wall fixings are not supplied with this product.
- 3** This product must only be fitted to solid brick, concrete block walls or similarly strong materials offering appropriate support for the maximum safe working load.
- 4** When drilling into a tiled surface do not use a hammer drill.
- 5**
- 6** To retain the best quality finish, clean product regularly with a soft damp cloth.
- 7** Do not use abrasive or chemical cleaners, as these will damage the product.
- 8** The maximum safe working load for the product is 100kg distributed evenly.

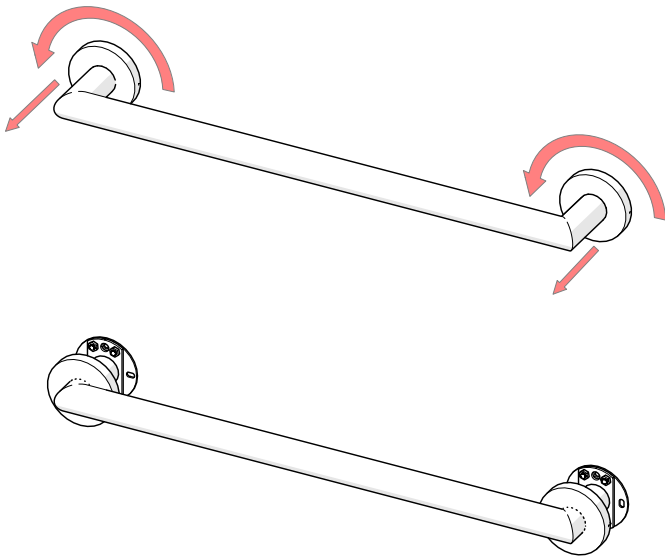




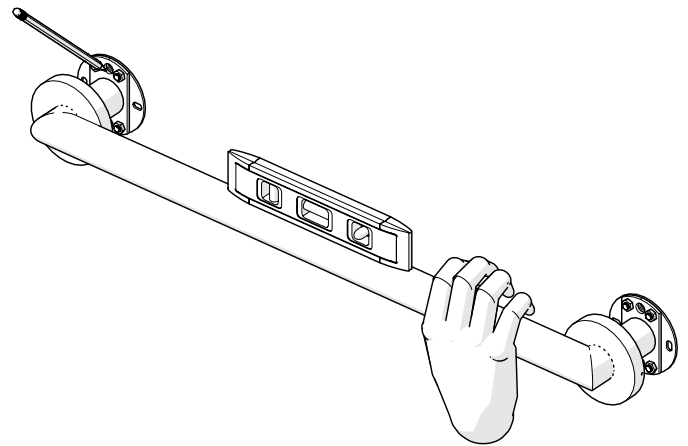
EN. Not supplied




1.





2.



5.

 Croydex, Central Way, Andover,
Hampshire, SP10 5AW, UK

 +44 (0) 1264 365881

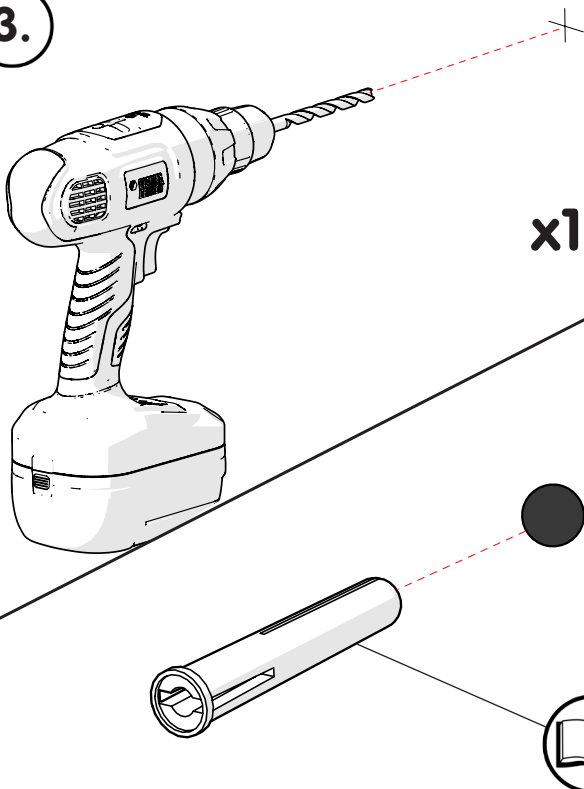
 +44 (0) 1264 356437

 info@croydex.co.uk

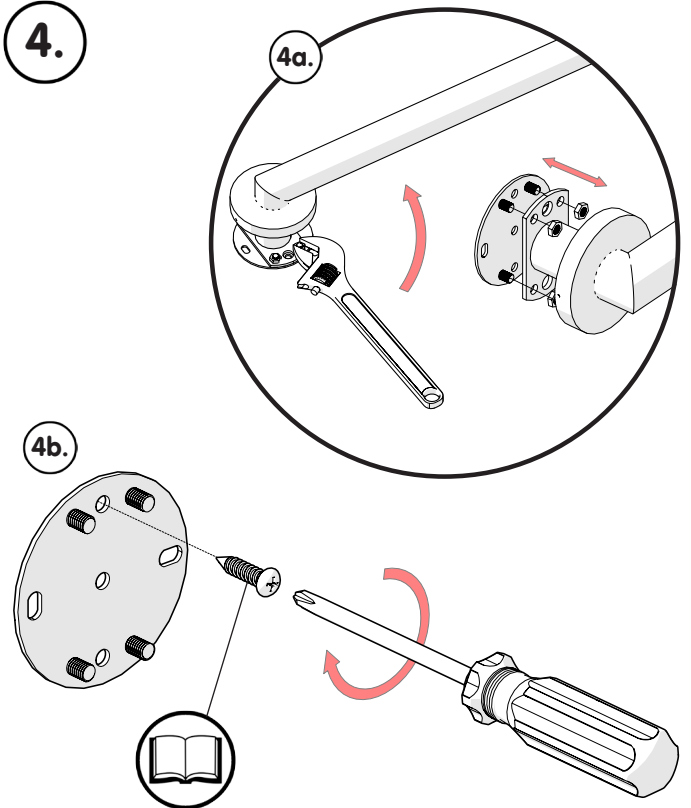
 www.croydex.com

S&H 066 R01

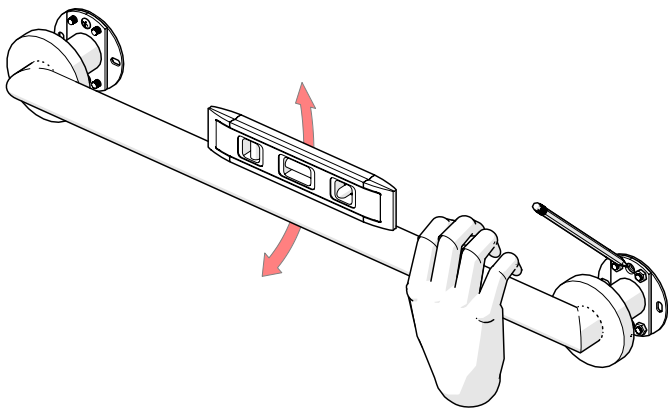
3.



4.



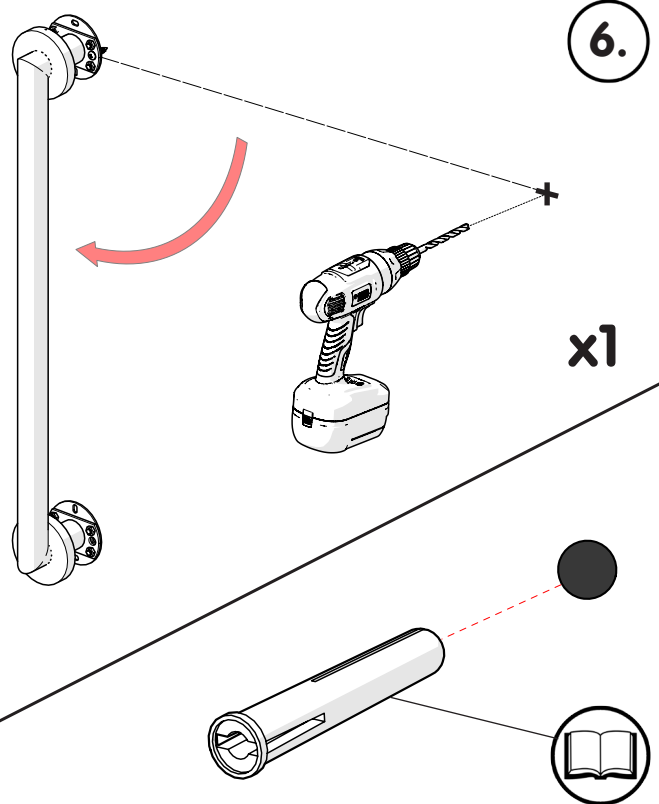
5.



EN. Check level



6.



6.

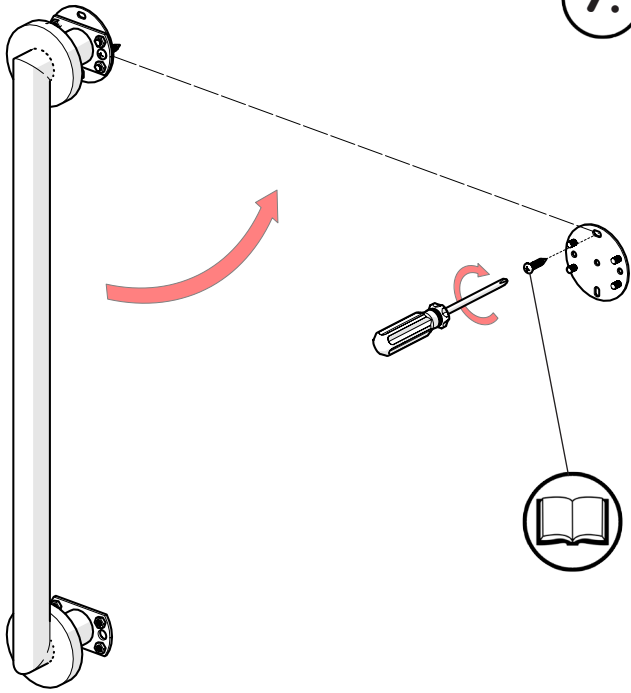
Croydex, Central Way, Andover, Hampshire, SP10 5AW, UK
 +44 (0) 1264 365881

+44 (0) 1264 356437
 info@croydex.co.uk

www.croydex.com

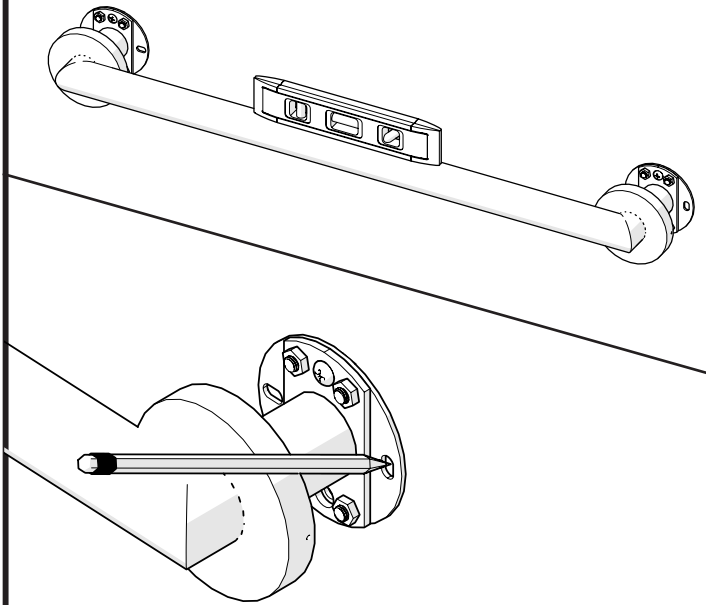
S&H 066 R01

7.

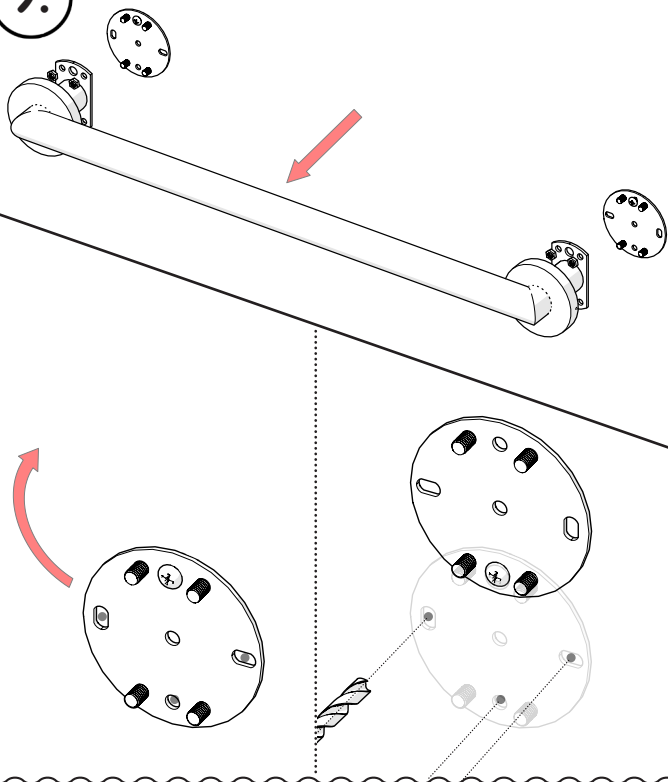


8.

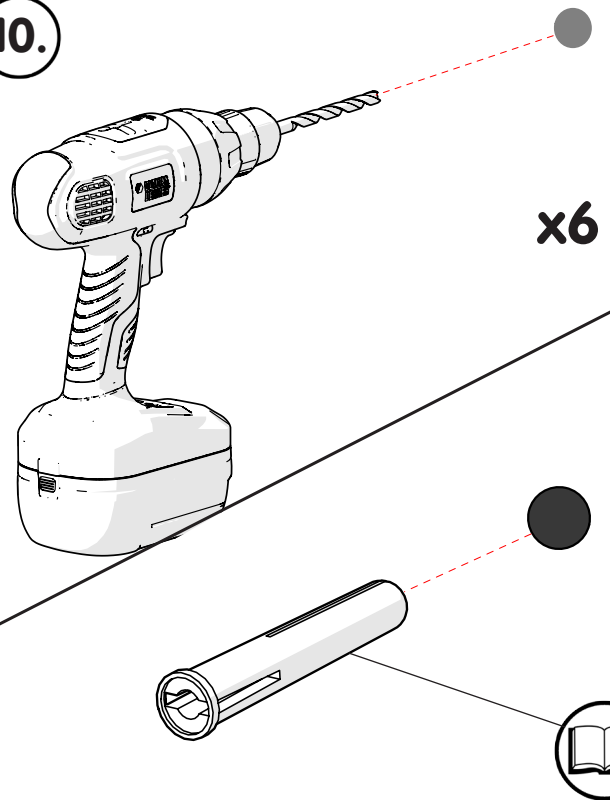
EN. Check level



9.



10.



7.

Croydex, Central Way, Andover, Hampshire, SP10 5AW, UK

+44 (0) 1264 356437

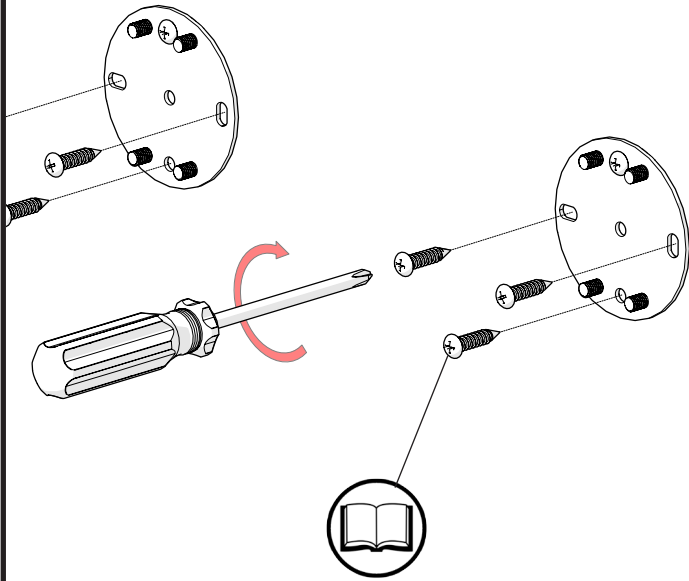
www.croydex.com

+44 (0) 1264 365881

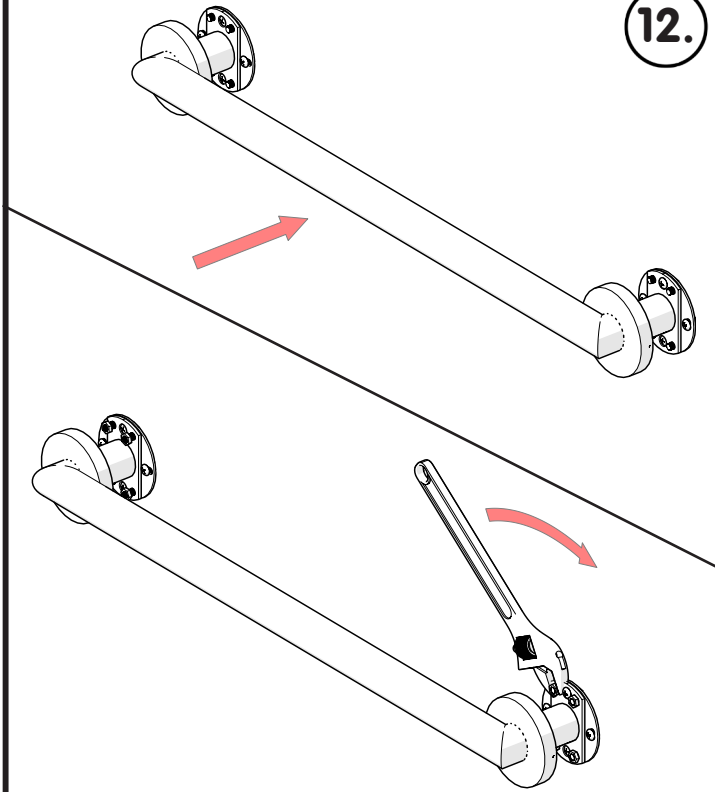
info@croydex.co.uk

S&H 066 R01

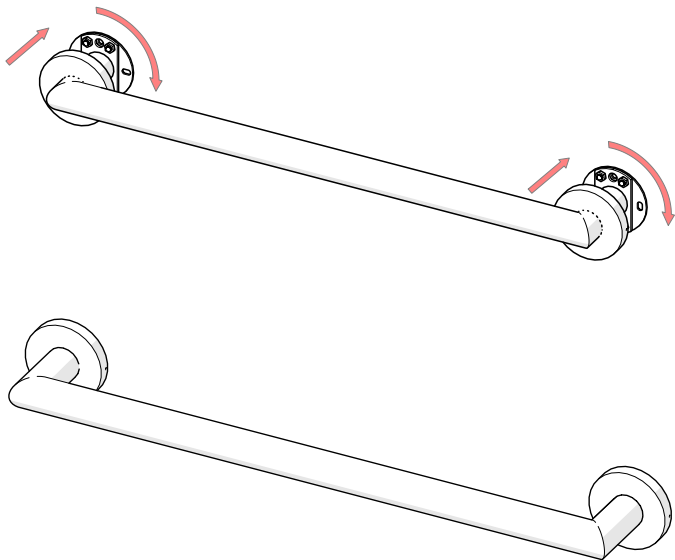
11.



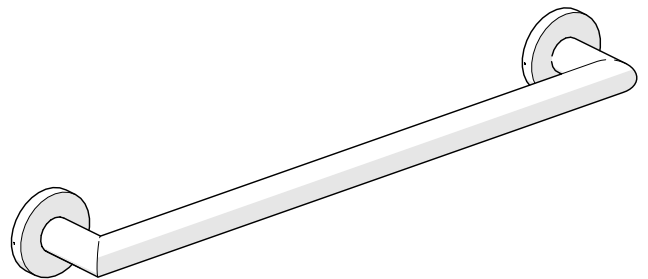
12.



13.





14.





EN. Test before use.



8.

 Croydex, Central Way, Andover,
Hampshire, SP10 5AW, UK
 +44 (0) 1264 365881

 +44 (0) 1264 356437
 info@croydex.co.uk

 www.croydex.com

S&H 066 R01

Check out our full range of Bathroom Accessories

Bathroom Accessory Sets

Heated Towel Rails

Bathroom Extractor Fans

Bathroom Lighting

Shower Seats

Grab Rails

Shower Curtains

Toilet Brushes

Bathroom Cleaning Products

Wall Mounted Bathroom Accessories

Robe Hooks

Bathroom Tumblers

Toilet Roll Holders

Soap Dishes

Towel Rings

Shower Caddies

Bathroom Mirrors

Standard Bathroom Mirrors

LED Bathroom Mirrors

Shaving Mirrors

plumbworld
Big brands, small prices.