



KEY FEATURES & BENEFITS

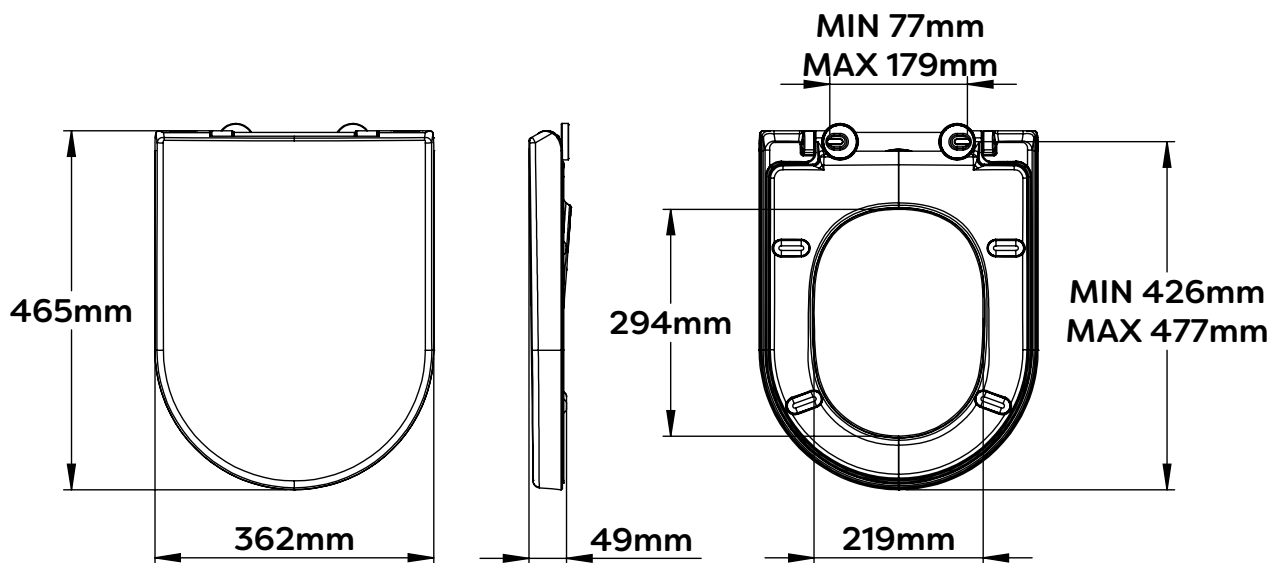


PROTECTS AGAINST

- E-Coli
- Listeria
- MRSA
- Salmonella
- Odours
- Staining
- Mould & Mildew

SPECIFICATION

Materials	<ul style="list-style-type: none"> • Lid & Ring: 100% Recycled Thermoset Plastic (Polypropylene) • Hinge Barrel Casing: 1.7% Recycled Thermoset Plastic (Polypropylene) • Decorative Cover Caps: Polished Stainless Steel • Brackets: Nylon • Hinge Pins: Stainless Steel • Seat & Lid Buffers: LDPE & EVA
Colours	<ul style="list-style-type: none"> • Lid & Ring: White • Decorative Cover Caps: Chrome
Dimensions	<ul style="list-style-type: none"> • 49mm(H) x 362mm(W) x 465mm(D)
Weight	<ul style="list-style-type: none"> • 1400g
Features	<ul style="list-style-type: none"> • Recycled Polypropylene - Eco-friendly choice for sustainable living. • Soft Close Hinges - prevents slamming, reduces wear for longer product life. • Quick Release Button - Easy removal for hassle-free cleaning. • Top & Bottom Fixing - Fits toilets with top or underside fixing holes. • Antibacterial Surface - Reduces bacteria for a cleaner bathroom. • Adjustable Hinges - Fits all standard D-Shapes toilets.



***The adjustable hinges on the toilet seat are suitable for use with BS EN 33 compliant WC pans. BS EN 33 fixing hole centres are between 145mm and 165mm.**

ALL DIMENSIONS ARE NOMINAL

SPECIFICATION

Standards	<ul style="list-style-type: none"> • Minimum grade 9 when assessed using BS EN ISO 10289 after 48 hours Neutral Salt Spray (NSS) testing in accordance with BS EN ISO 9227.
Applications	<ul style="list-style-type: none"> • Domestic • Residential • Hotels
Product Care	<ul style="list-style-type: none"> • Clean surfaces with a damp cloth and wipe dry using a soft cloth • Do not use chemical or abrasive cleaners as these may damage the surface finish
Guarantee	<ul style="list-style-type: none"> • Consumer Statutory Rights Apply