



KEY FEATURES & BENEFITS

ANTI-BACTERIAL TREATED PRODUCT

PROTECTS AGAINST

<input checked="" type="checkbox"/> E-Coli	<input checked="" type="checkbox"/> Odours
<input checked="" type="checkbox"/> Listeria	<input checked="" type="checkbox"/> Staining
<input checked="" type="checkbox"/> MRSA	<input checked="" type="checkbox"/> Mould & Mildew
<input checked="" type="checkbox"/> Salmonella	

SPECIFICATION

Materials

- Lid & Ring: 100% FSC Moulded Wood
- Hinge Base: Nylon
- Hinge Pin: Stainless Steel
- Hinge Cover Caps: ABS
- Hinge Lid & Ring Arms: Zinc

Colours

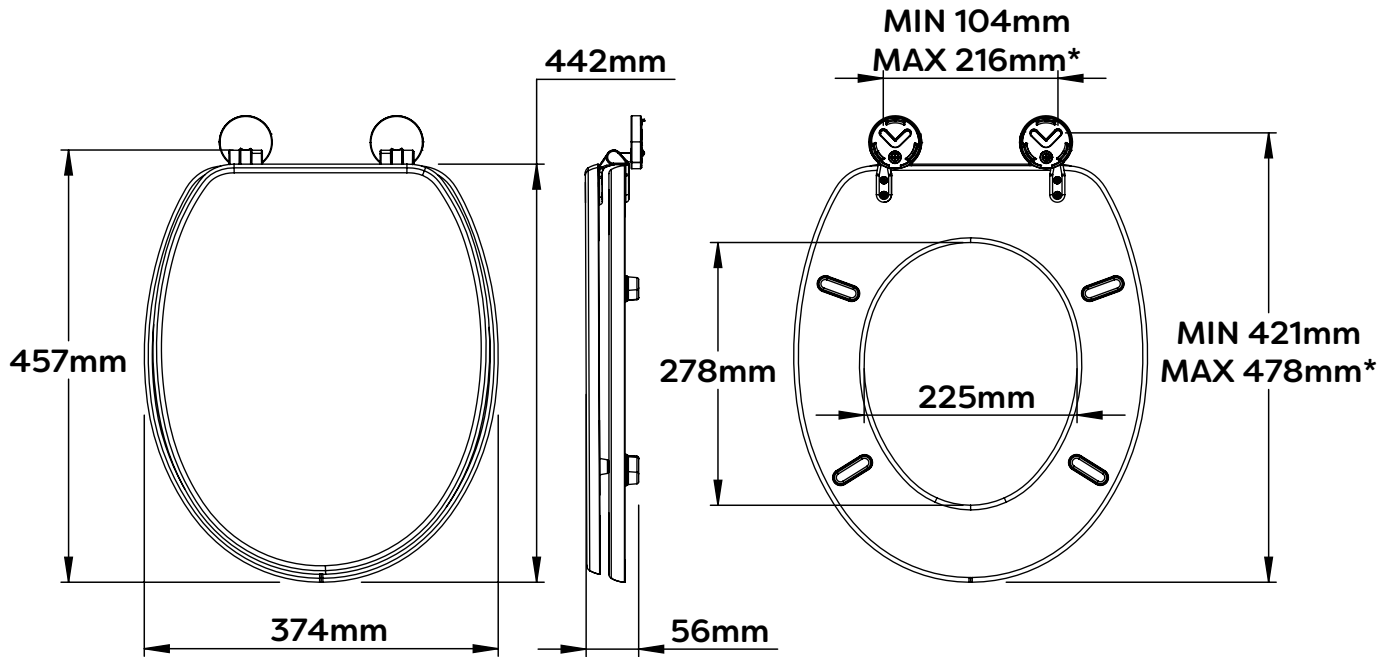
- Lid: White/Blue Terrazzo Pattern
- Ring: White
- Hinge Cover Caps & Arms: Chrome Plated

Dimensions • 56mm(H) x 374mm(W) x 457mm(D)

Weight • 3.55kg

Features

- Made from durable, sustainable moulded wood
- Adjustable hinges fit all standard toilets
- Durable nylon and chrome plated ABS anti rust hinges
- Anti-bacterial treated product
- Top & bottom fix
- Popular oval design
- All fittings included – no tools required



***The adjustable hinges on the toilet seat are suitable for use with BS EN 33 compliant WC pans. BS EN 33 fixing hole centres are between 145mm and 165mm.**

ALL DIMENSIONS ARE NOMINAL

SPECIFICATION

Applications	<ul style="list-style-type: none"> • Domestic • Residential • Hotels
Product Care	<ul style="list-style-type: none"> • Clean surfaces with a damp cloth and wipe dry using a soft cloth • Do not use chemical or abrasive cleaners as these may damage the surface finish
Guarantee	<ul style="list-style-type: none"> • Consumer Statutory Rights Apply