



KEY FEATURES & BENEFITS



SPECIFICATION

Materials

- Toilet Seat Lid, Ring, and Hinge Barrel: Polypropylene (PP)
- Hinge Bracket: Nylon
- Hinge Pins: Stainless Steel
- Hinge Cover: Polypropylene (PP)
- Seat and Lid Buffers: LDPE & EVA

Colours

- White

Dimensions

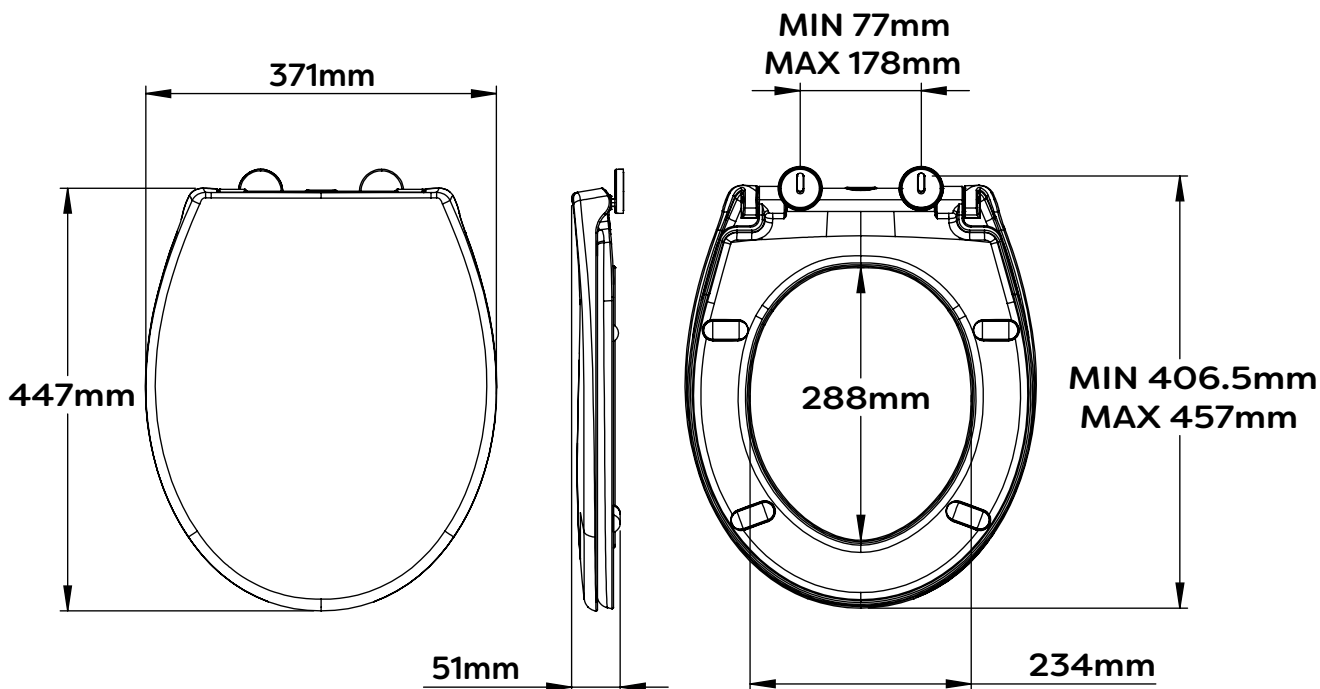
- 51mm(H) x 371mm(W) x 447mm(D)

Weight

- 1240g

Features

- Made from resilient polypropylene
- Adjustable hinges fit standard oval shaped toilet pans
- Durable nylon hinges with white plastic covers
- Soft close action
- Quick release for easy cleaning
- Top fix only



***The adjustable hinges on the toilet seat are suitable for use with BS EN 33 compliant WC pans. BS EN 33 fixing hole centres are between 145mm and 165mm.**

ALL DIMENSIONS ARE NOMINAL

SPECIFICATION

Standards	<ul style="list-style-type: none"> • Minimum grade 9 when assessed using BS EN ISO 10289 after 48 hours Neutral Salt Spray (NSS) testing in accordance with BS EN ISO 9227
Applications	<ul style="list-style-type: none"> • Domestic • Residential • Hotels
Product Care	<ul style="list-style-type: none"> • Clean surfaces with a damp cloth and wipe dry using a soft cloth • Do not use chemical or abrasive cleaners as these may damage the surface finish
Guarantee	<ul style="list-style-type: none"> • Consumer Statutory Rights Apply