



KEY FEATURES & BENEFITS

**PROTECTS AGAINST**

<input checked="" type="checkbox"/> E-Coli	<input checked="" type="checkbox"/> Odours
<input checked="" type="checkbox"/> Listeria	<input checked="" type="checkbox"/> Staining
<input checked="" type="checkbox"/> MRSA	<input checked="" type="checkbox"/> Mould & Mildew
<input checked="" type="checkbox"/> Salmonella	

SPECIFICATION

**Materials**

- Lid & Ring: 100% FSC Moulded Wood
- Hinge Base: Nylon
- Hinge Pin: Stainless Steel
- Hinge Cover Caps & Barrel: ABS
- Hinge Lid & Ring Arms: Zinc

**Colours**

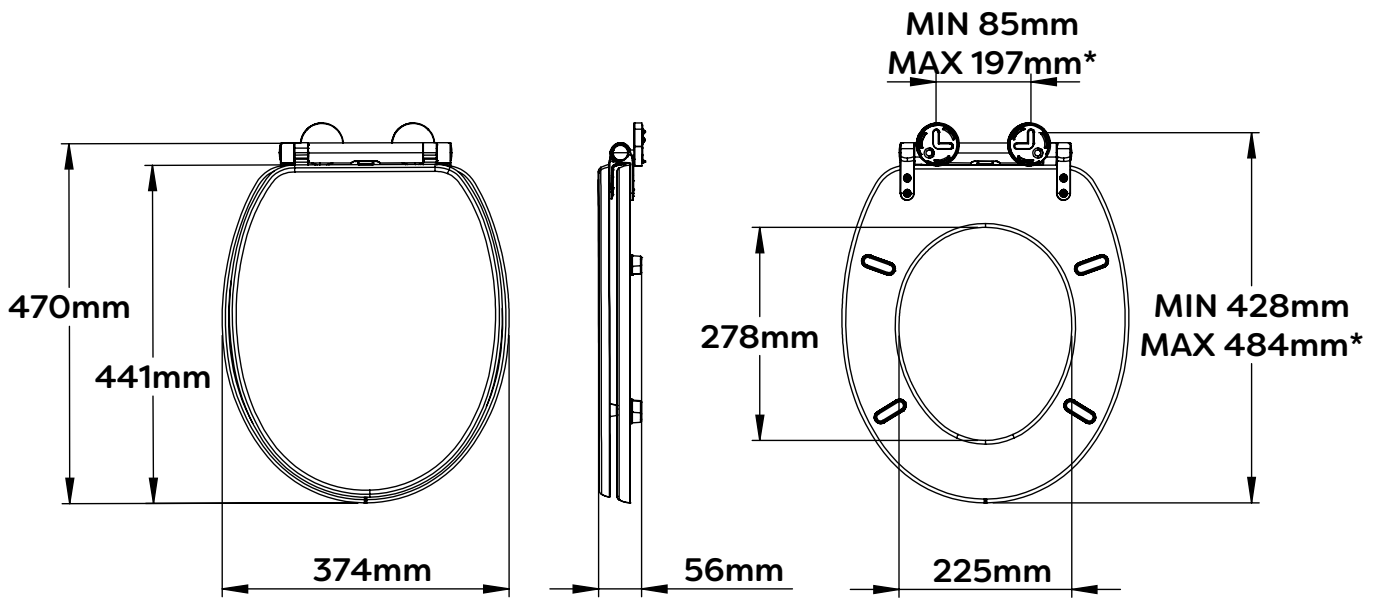
- Lid & Ring: Pale Concrete Effect
- Hinge Barrel, Cover Caps & Arms: Chrome Plated

**Dimensions** • 56mm(H) x 374mm(W) x 470mm(D)

**Weight** • 4.1kg

**Features**

- Made from durable sustainable moulded wood
- Pale concrete effect wipe clean vinyl foil covering
- Adjustable hinges fit all standard oval shaped toilets
- Durable nylon and chrome plated ABS anti rust hinges
- Soft close action
- Quick release for easy cleaning
- Popular oval design
- Anti-bacterial treated product
- Top & bottom fix
- All fittings included - No tools required



**\*The adjustable hinges on the toilet seat are suitable for use with BS EN 33 compliant WC pans. BS EN 33 fixing hole centres are between 145mm and 165mm.**

ALL DIMENSIONS ARE NOMINAL

## SPECIFICATION

Standards	<ul style="list-style-type: none"> <li>• Minimum grade 9 when assessed using BS EN ISO 10289 after 48 hours Neutral Salt Spray (NSS) testing in accordance with BS EN ISO 9227</li> </ul>
Applications	<ul style="list-style-type: none"> <li>• Domestic</li> <li>• Residential</li> <li>• Hotels</li> </ul>
Product Care	<ul style="list-style-type: none"> <li>• Clean surfaces with a damp cloth and wipe dry using a soft cloth</li> <li>• Do not use chemical or abrasive cleaners as these may damage the surface finish</li> </ul>
Guarantee	<ul style="list-style-type: none"> <li>• Consumer Statutory Rights Apply</li> </ul>