

ALWAYS READ THROUGH AND FULLY UNDERSTAND THE INSTRUCTION LEAFLET BEFORE STARTING THE INSTALLATION OF THIS PRODUCT.



ALWAYS CHECK THE PACKAGING AND ENSURE YOU HAVE ALL FIXINGS AND COMPONENT PARTS DETAILED IN THIS INSTRUCTION LEAFLET BEFORE RECYCLING OR DISPOSING OF THE PACKAGING.

ALWAYS ENSURE YOU HAVE ALL THE FIXINGS AND COMPONENT PARTS BEFORE ATTEMPTING TO ASSEMBLE OR FIT THIS PRODUCT.

ALL ILLUSTRATIONS OF THE PRODUCT ARE FOR REFERENCE ONLY. COMPONENTS SUPPLIED WITH INDIVIDUAL PRODUCTS MAY DIFFER.

Thank you for purchasing this Croydex product. Follow the fixing and care instructions in this manual to ensure that your product is fitted safely and that it retains its high quality finish.

**RETAIN THIS MANUAL FOR FUTURE REFERENCE.**

ADDRESS (UK)

Croydex  
Central Way  
Andover, Hampshire  
SP10 5AW, UK

ADDRESS (EU)

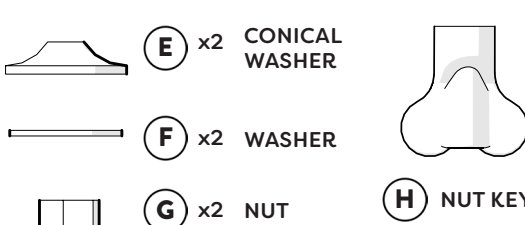
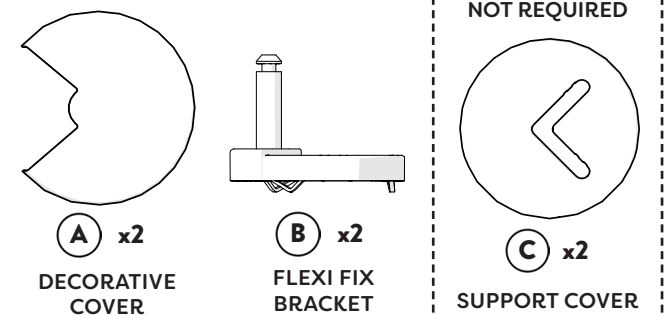
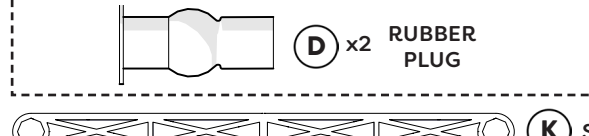

MIL, Unit 8  
Purcellsinch Ind Est  
Dublin Road, Kilkenny  
R95 HP71, Ireland

SAFETY & PRODUCT CARE

1. To retain the best quality finish, clean product with a soft cloth and a mild soap solution **applied directly to the cloth.**
2. **DO NOT** use abrasive or chemical cleaners as they may damage the surface of the toilet seat or hinges.
3. Take care when cleaning the toilet pan with chemical cleaners. Avoid contact of the chemical cleaners with the toilet seat or hinges. Immediately rinse off any splashes to avoid damage or discolouration to the surface of the toilet seat and hinge parts.
4. **DO NOT** force the seat down as this can cause damage to the product and its function.

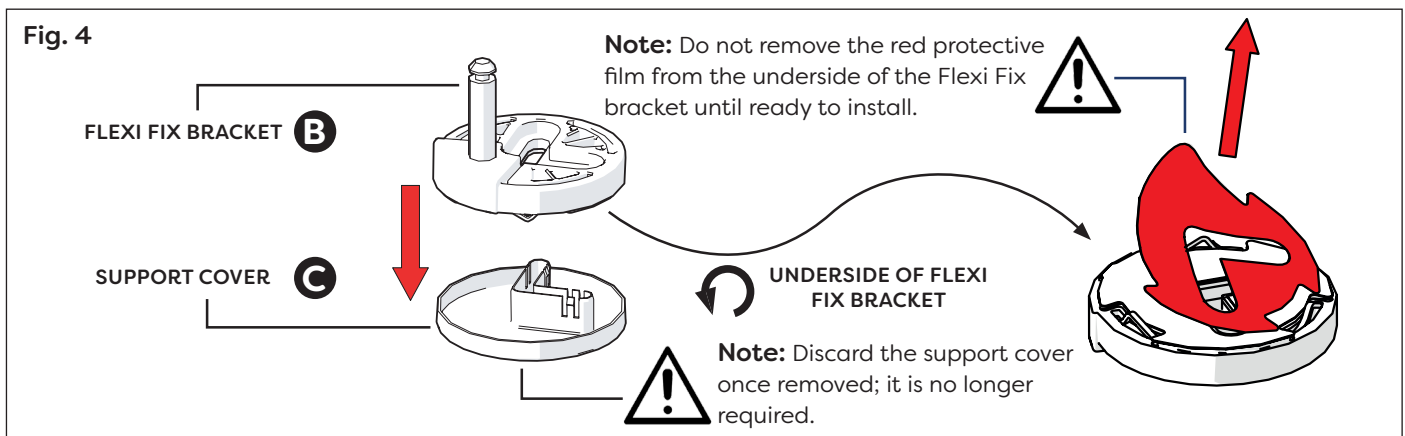
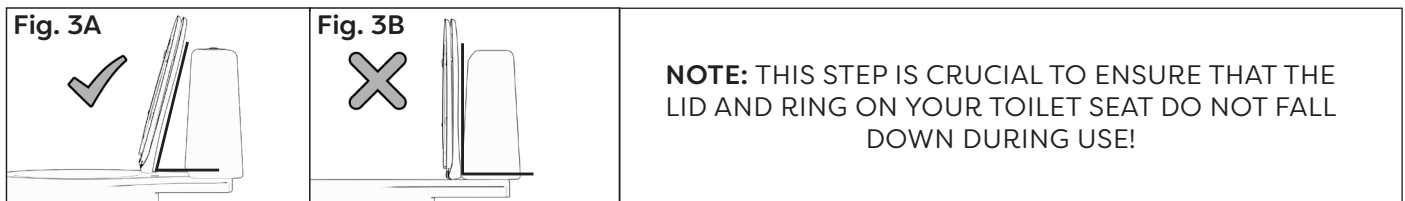
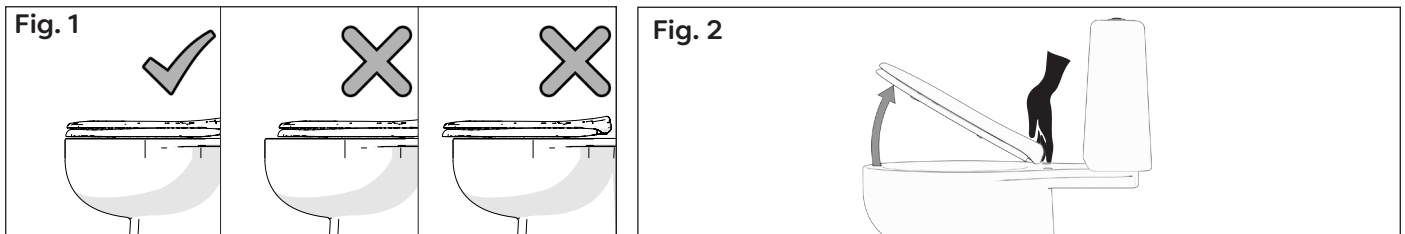
1 - INTRODUCTION

FIXING PACK (Not to scale)

<p><b>FIXING PACK - ENCLOSED WITH THE TOILET SEAT</b></p> <p>ONLY REQUIRED FOR: BOTTOM FIX INSTALLATION</p>  <p>⚠️ <b>SEE INSTALLATION STEP 1</b> ⚠️</p>	<p><b>FLEXI FIX HINGES - WRAPPED SEPARATELY IN THE BOTTOM OF THE BOX</b></p>  <p>⚠️ <b>NOT REQUIRED</b> ⚠️</p>
<p>ONLY REQUIRED FOR: TOP FIX INSTALLATION</p> 	

## PRE-INSTALLATION

1. Remove the old seat from the pan and clean the surface around the fixing holes.
2. Ensure the surfaces around the fixing holes are completely dry and free of any dust or debris before beginning the installation.
3. To ensure you do not lose any dropped components in the toilet pan, place cling-film over the toilet bowl.
4. **COMPLETE PRE-INSTALLATION STEPS 4, 5 & 6 BEFORE REMOVING THE HYGIENE FILM** from the toilet seat. Position the seat over your pan to ensure the shape and profile of the toilet matches your toilet pan. (See Fig. 1)
5. Align the front edge of the toilet seat with the front of your toilet pan. Hold your hand at the back of the toilet seat and using it as a pivot, raise the toilet seat. (See Fig. 2)
6. The seat should be able to rest backwards at an angle. If it cannot rest at an angle and can only rest vertically, the seat **WILL NOT** function correctly. (See Fig. 3A & 3B)
7. **ONLY ONCE YOU ARE SATISFIED THAT THE TOILET SEAT WILL FIT YOUR TOILET PAN, REMOVE THE HYGIENE FILM.**
8. Remove the support covers (C) from the underside of the Flexi Fix brackets (B) to reveal the adhesive tape and red protective film. (See Fig. 4)



## 2 - INSTALLATION

### STEP 1

Identify your toilet pan style. Loosely install the Flexi Fix bracket (B) through the mounting holes using either bottom fix installation (See Fig. 5) or top fix installation (See Fig. 6). **NOTE: Do not depress the brackets, this may result in the adhesive tape sticking before you are satisfied with their position.**

# CHOOSE BETWEEN

## BOTTOM FIX INSTALLATION

This installation is designed to be used on 'standard' toilets with access below the toilet pan.



Examples of Bottom Fix toilet pans.

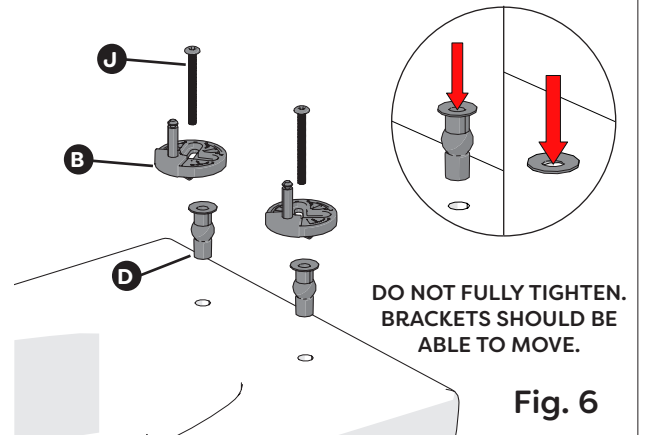
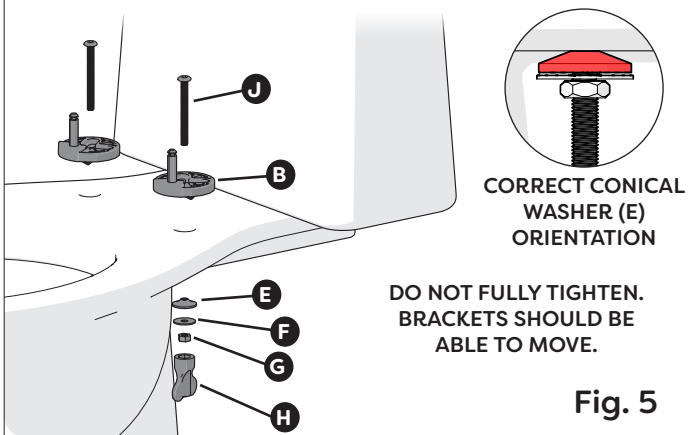
## TOP FIX INSTALLATION

This installation is designed to be used on 'back to wall' toilets with no access below the toilet pan.

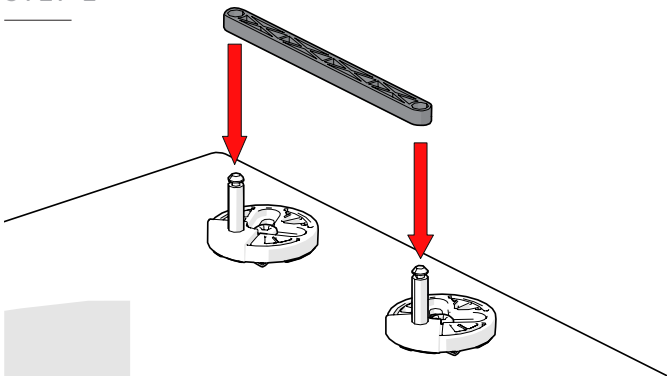


Examples of Top Fix toilet pans.

OR

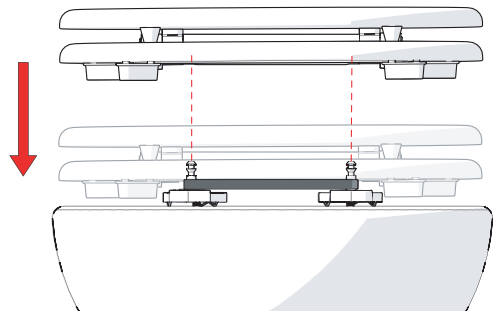


### STEP 2



Slide the spacer (K) onto both Flexi Fix bracket (B) pillars. Rotate the Flexi Fix brackets (B) if necessary.

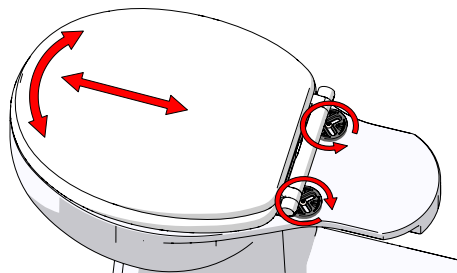
### STEP 3



Position the seat on the pillars and rest it on the spacer.

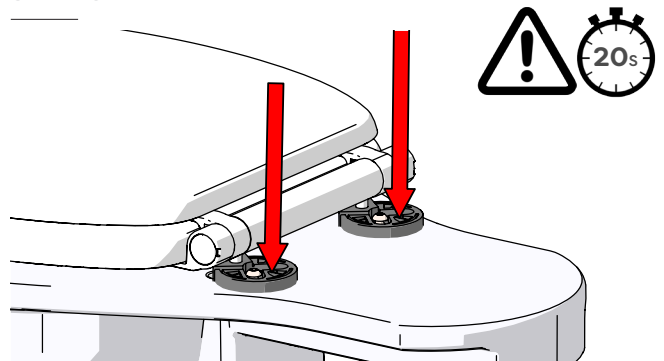
### STEP 4

**BRACKETS SHOULD BE SYMMETRICAL**



Align the seat with your toilet pan by rotating and sliding the Flexi Fix brackets (B). If required, lift the seat off the pillars to help with the adjustment.

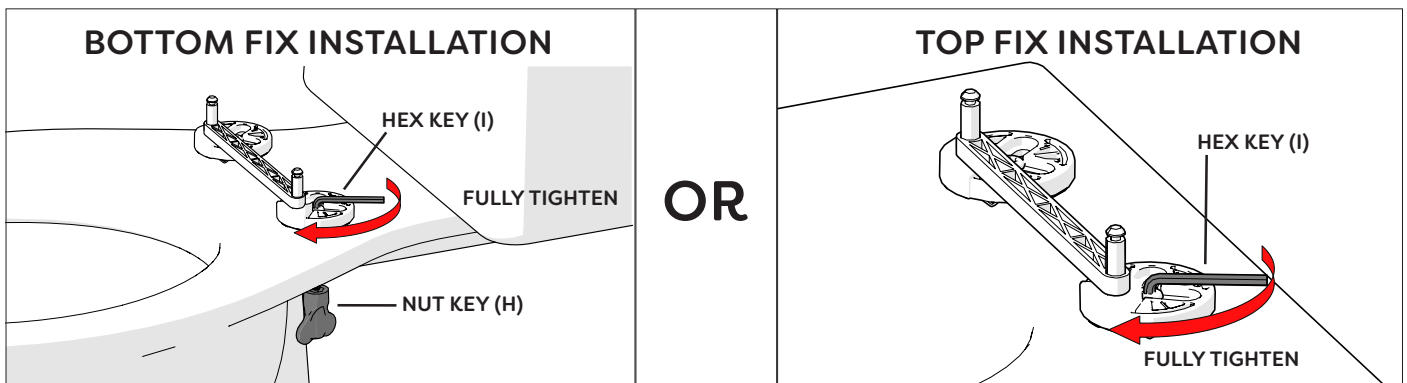
### STEP 5



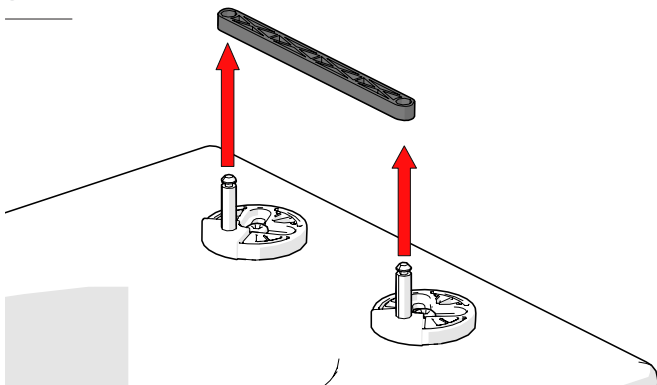
When the desired position of the seat has been achieved, apply firm pressure on both Flexi Fix brackets (B) so the adhesive pad makes contact with the pan. **NOTE: Hold down for 20 seconds.**

## STEP 6

Carefully remove the seat without disturbing the bracket positions and fully tighten the bolts (**J**) to firmly secure the hinge brackets. **NOTE: Do not over-tighten.**

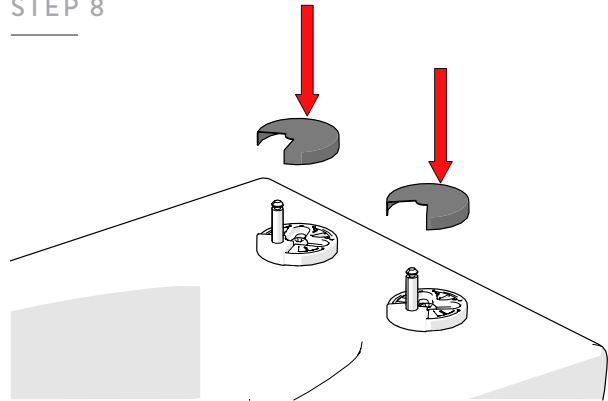


## STEP 7



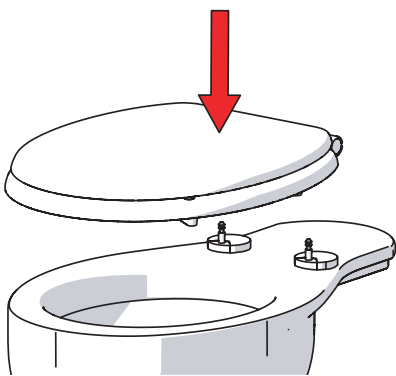
Remove the spacer from the Flexi Fix brackets (**B**).

## STEP 8



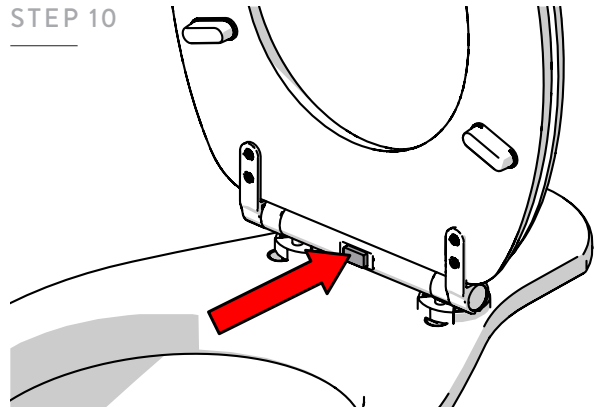
Place the decorative covers (**A**) onto the Flexi Fix brackets (**B**).

## STEP 9



Attach the seat onto the Flexi Fix brackets (**B**) to complete the installation. You will hear an audible click to confirm it is engaged.

## STEP 10



To activate the quick release function, press and hold the button, then lift the seat away.