



KEY FEATURES & BENEFITS



PROTECTS AGAINST

- E-Coli
- Listeria
- MRSA
- Salmonella
- Odours
- Staining
- Mould & Mildew

SPECIFICATION

**Materials**

- Toilet Seat Lid, Ring, and Hinge Barrel: GRS Certified 100% recycled polypropylene (PP)\*
- Hinge Bracket: Nylon
- Hinge Pins: Stainless Steel
- Hinge Cover: Polished Stainless Steel
- Seat and Lid Buffers: LDPE & EVA

**Colours**

- Toilet Seat: White
- Hinge Cover: Polished Stainless Steel

**Dimensions**

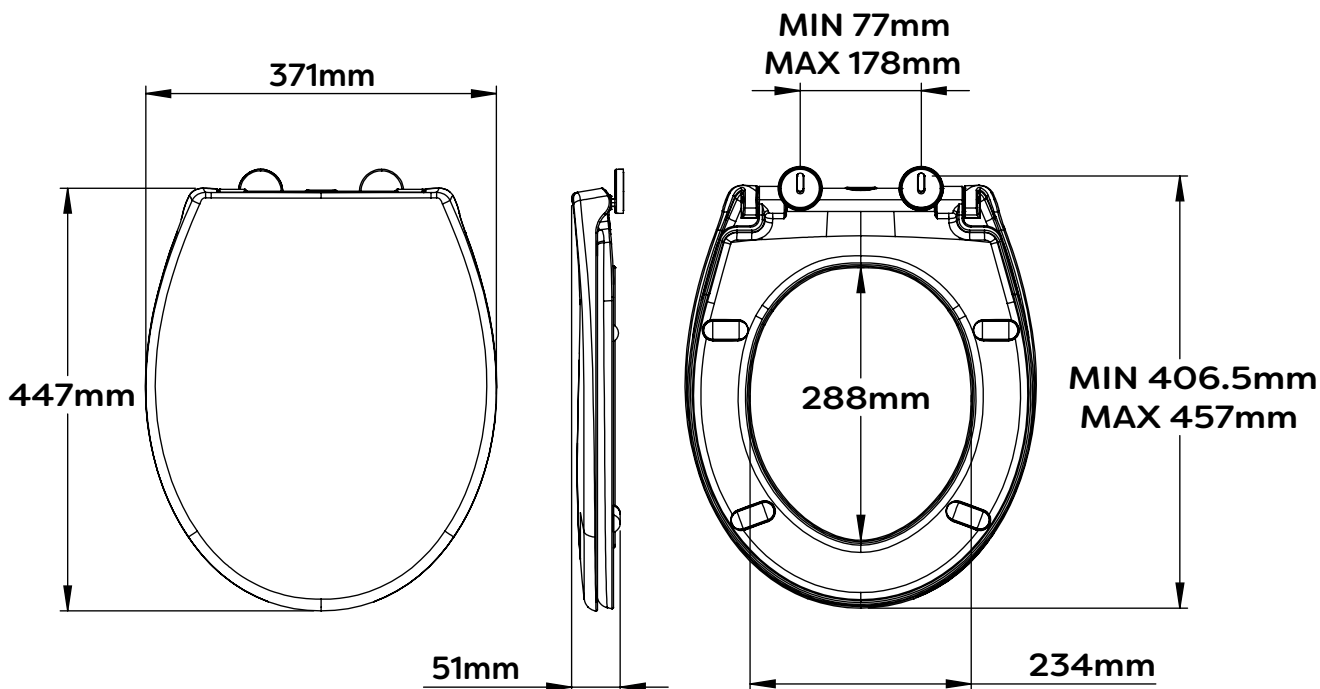
- 51mm(H) x 371mm(W) x 447mm(D)

**Weight**

- 1240g

**Features**

- Made from resilient recycled polypropylene
- Adjustable hinges fit standard oval shaped toilet pans
- Durable nylon hinges with polished stainless steel covers
- Soft close action
- Quick release for easy cleaning
- Anti-bacterial treated product
- Top & bottom fix



**\*The adjustable hinges on the toilet seat are suitable for use with BS EN 33 compliant WC pans. BS EN 33 fixing hole centres are between 145mm and 165mm.**

ALL DIMENSIONS ARE NOMINAL

SPECIFICATION

Standards	<ul style="list-style-type: none"> <li>• Minimum grade 9 when assessed using BS EN ISO 10289 after 48 hours Neutral Salt Spray (NSS) testing in accordance with BS EN ISO 9227</li> </ul>
Applications	<ul style="list-style-type: none"> <li>• Domestic</li> <li>• Residential</li> <li>• Hotels</li> </ul>
Product Care	<ul style="list-style-type: none"> <li>• Clean surfaces with a damp cloth and wipe dry using a soft cloth</li> <li>• Do not use chemical or abrasive cleaners as these may damage the surface finish</li> </ul>
Guarantee	<ul style="list-style-type: none"> <li>• Consumer Statutory Rights Apply</li> </ul>