



KEY FEATURES & BENEFITS



SPECIFICATION

Materials

- Toilet Seat: Thermoset Plastic (Urea Formaldehyde)
- Buffers: LDPE & EVA
- Decorative Covers: Chrome Plated ABS
- Flexi Fix™ Bracket: Glass Filled Nylon
- Hinge Pins: Stainless Steel

Colours

- White

Dimensions

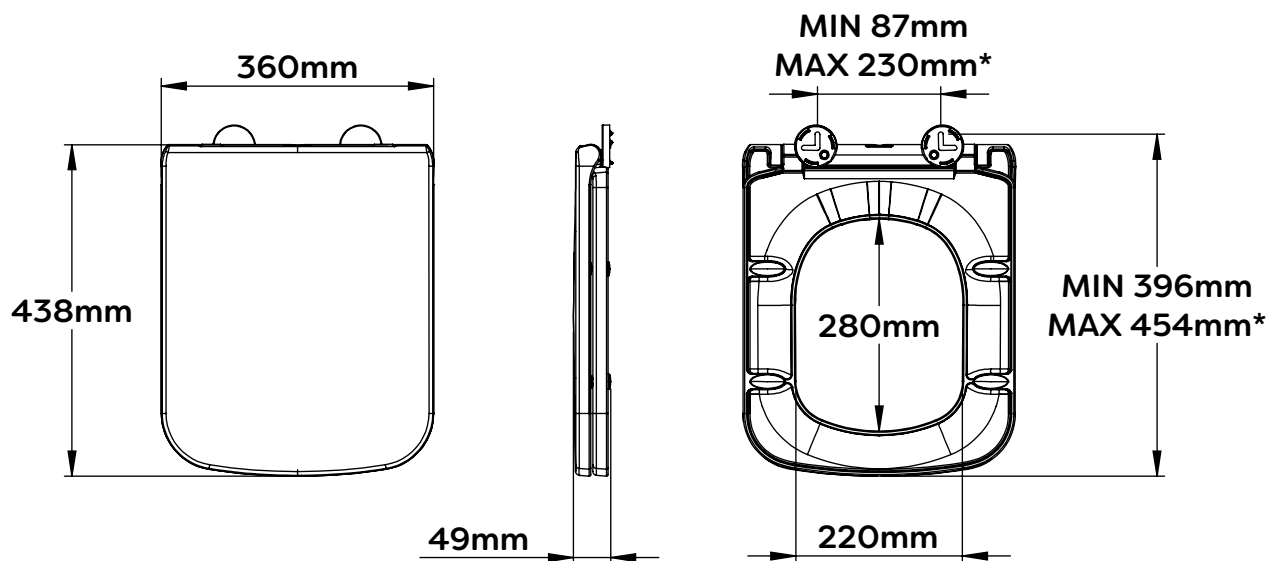
- 49mm(H) x 360mm(W) x 438mm(D)

Weight

- 2.18Kg

Features

- Modern square shaped design.
- Made from hard wearing thermoset plastic.
- Adjustable hinges fit all standard toilets.
- Soft close action.
- Durable nylon and chrome plated ABS anti-rust hinges.
- Top & bottom fix.
- Anti-bacterial treated product.
- All fittings included - No tools required.



***The adjustable hinges on the toilet seat are suitable for use with BS EN 33 compliant WC pans. BS EN 33 fixing hole centres are between 145mm and 165mm.**

ALL DIMENSIONS ARE NOMINAL

SPECIFICATION

Applications

- Domestic
- Residential
- Hotels

Product Care

- Clean surfaces with a damp cloth and wipe dry using a soft cloth
- Do not use chemical or abrasive cleaners as these may damage the surface finish

Guarantee

- Consumer Statutory Rights Apply