

RAMOR

RAISED TOILET SEAT WITH SOFT CLOSE



ALL PRODUCT DIMENSIONS DETAILED IN THIS INSTALLATION AND MAINTENANCE MANUAL ARE APPROXIMATE

ALL ILLUSTRATIONS OF THE PRODUCT ARE FOR REFERENCE ONLY. COMPONENTS SUPPLIED WITH INDIVIDUAL PRODUCTS MAY DIFFER

CONTACT DETAILS

UK: Croydex, Central Way, Andover, Hampshire, SP10 5AW, UK

EU: MIL, Unit 8 Purcellsinch Ind Est, Dublin Road, Kilkenny, R95 HP71, Ireland

Tel: +44 (0)1264 365881

Email: info@croydex.co.uk

Web: www.croydex.com



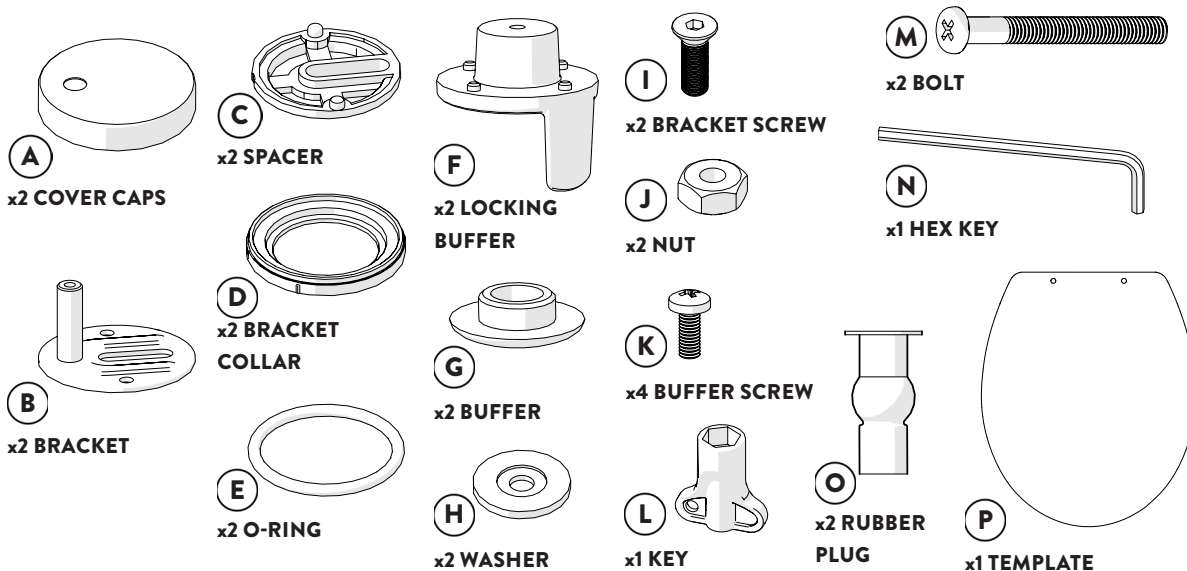
ALWAYS READ THROUGH AND FULLY UNDERSTAND THE INSTRUCTION LEAFLET **BEFORE** STARTING THE INSTALLATION OF THIS PRODUCT.

ALWAYS CHECK THE PACKAGING AND ENSURE YOU HAVE **ALL** FIXINGS AND COMPONENT PARTS DETAILED IN THIS INSTRUCTION LEAFLET **BEFORE** RECYCLING OR DISPOSAL OF THE PACKAGING.

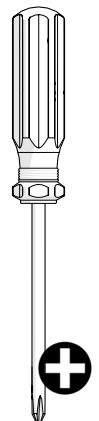
ALWAYS ENSURE YOU HAVE ALL THE FIXINGS AND COMPONENT PARTS **BEFORE** ATTEMPTING TO ASSEMBLE OR FIT THIS PRODUCT.

Always follow the instructions provided to ensure that your product is assembled and fitted safely, and retains its high quality finish.

ALWAYS RETAIN THIS MANUAL FOR FUTURE REFERENCE



TOOLS REQUIRED
(not supplied)

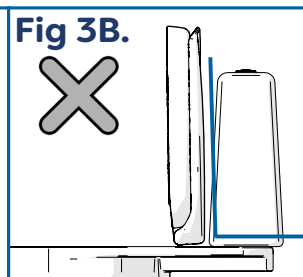
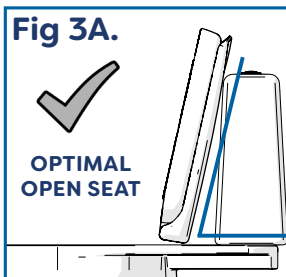
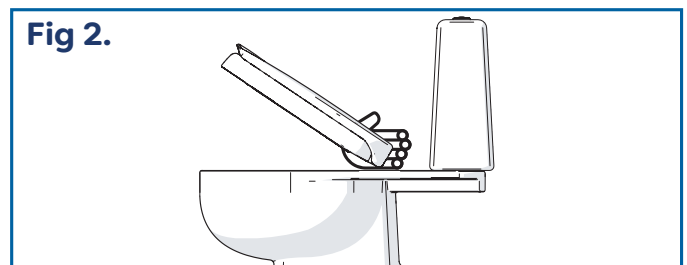
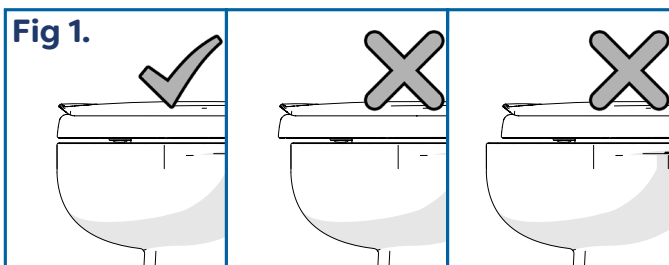


SAFETY & PRODUCT CARE

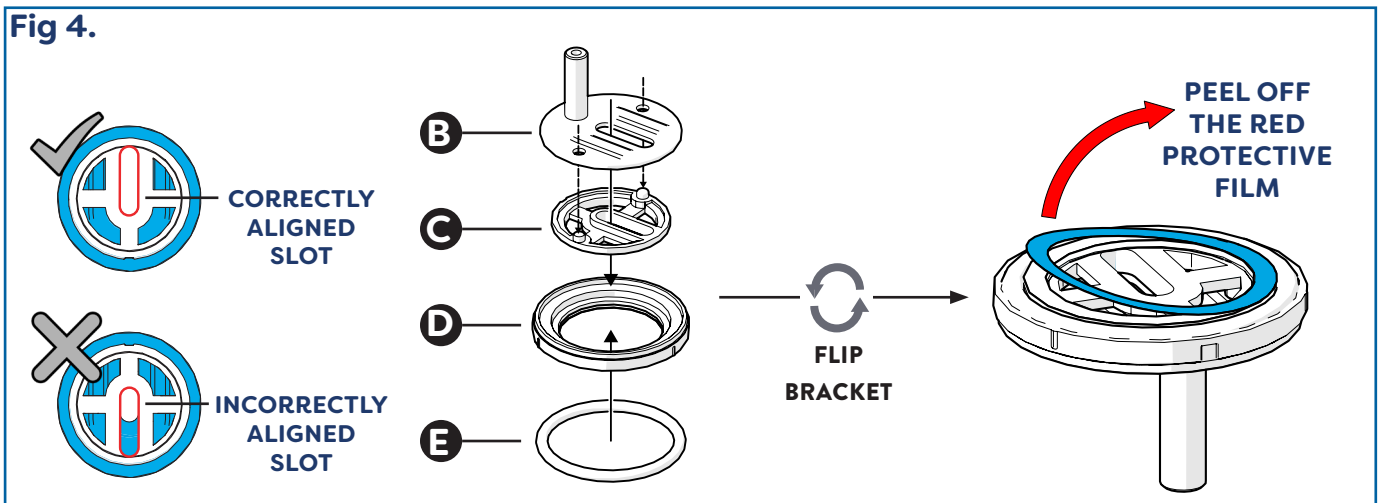
1. To retain the best quality finish, clean product with a soft cloth and a mild soap solution.
2. **DO NOT** use abrasive or chemical cleaners as they may damage the surface of the toilet seat or hinges.
3. Spray cleaning liquids onto the cloth and not directly onto the product.
4. **DO NOT** force the seat down as this can cause damage to the product and its function.
5. Take care when cleaning the toilet pan with chemical cleaners. Avoid contact of the chemical cleaners with the toilet seat or hinges. Immediately rinse off any splashes to avoid damage or discolouration to the surface of the toilet seat and hinge parts.

PRE-INSTALLATION

1. Remove the old seat from the pan and clean the surface around the fixing holes.
 2. Ensure the surfaces around the fixing holes are completely dry and free of any dust or debris before beginning the installation.
 3. To ensure you do not lose any dropped components in the toilet pan, place cling film over the toilet bowl.
 4. **COMPLETE PRE-INSTALLATION STEPS 4, 5 & 6 BEFORE REMOVING THE HYGIENE FILM** from the toilet seat. Position the seat over your pan to ensure the shape and profile of the toilet seat matches your toilet pan. (See Fig. 1)
 5. Align the front edge of the toilet seat with the front of your toilet pan. Hold your hand at the back of the toilet seat and using it as a pivot, raise the toilet seat. (See Fig. 2)
 6. The seat should be able to rest backwards at an angle. If it cannot rest at an angle and can only rest vertically, the seat **WILL NOT** function correctly. (See Fig. 3A & 3B)
 7. **ONLY ONCE YOU ARE SATISFIED THAT THE TOILET SEAT WILL FIT YOUR TOILET PAN SHOULD YOU REMOVE THE HYGIENE FILM.**
 8. Assemble the hinge brackets in the correct order and peel off the red protective film from the adhesive pad on both brackets. (See Fig. 4)
- NOTE: THE SLOT ON THE BRACKET (B) AND SPACER (C) MUST ALIGN.**



NOTE: THIS STEP IS CRUCIAL TO ENSURE THAT THE LID AND RING ON YOUR TOILET SEAT DO NOT FALL DOWN DURING USE!



INSTALLATION

1. Identify your toilet pan style. **Loosely** install the bracket assemblies through the mounting holes using either bottom fix installation (See Fig. 5) or top fix installation (See Fig. 6). **DO NOT DEPRESS THE BRACKETS, THIS MAY RESULT IN THE ADHESIVE TAPE STICKING BEFORE YOU ARE SATISFIED WITH THEIR POSITION.**

CHOOSE BETWEEN

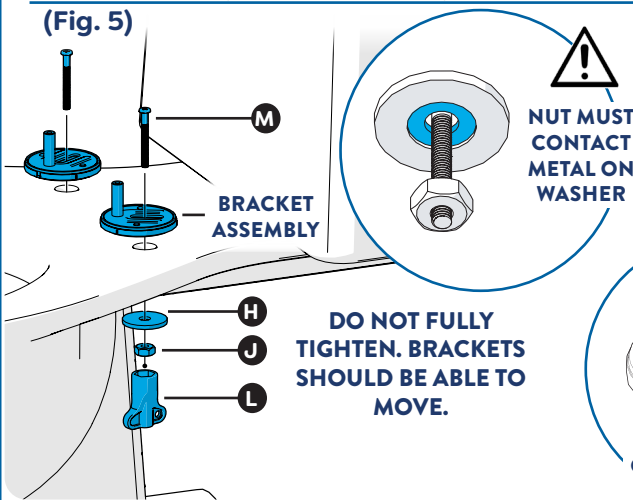
BOTTOM FIX INSTALLATION

This installation is designed to be used on 'standard' toilets with access below the toilet pan.



Examples of Bottom Fix toilet pans.

(Fig. 5)



OR

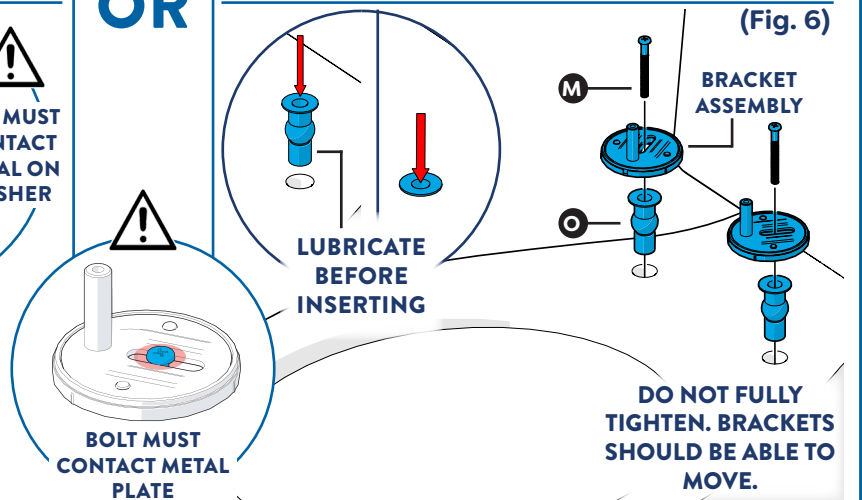
TOP FIX INSTALLATION

This installation is designed to be used on 'back to wall' toilets with no access below the toilet pan.



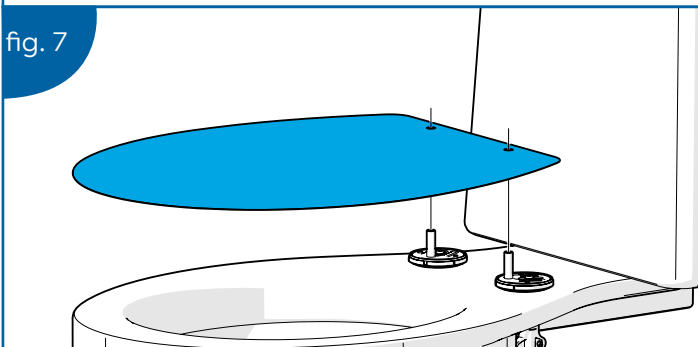
Examples of Top Fix toilet pans.

(Fig. 6)



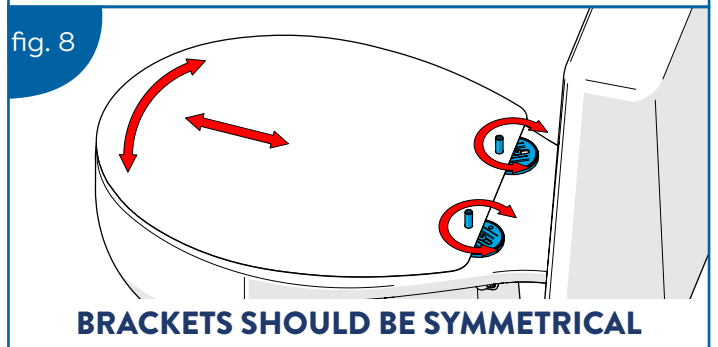
2. Slide the template (P) onto both pillars. (See Fig. 7)

fig. 7



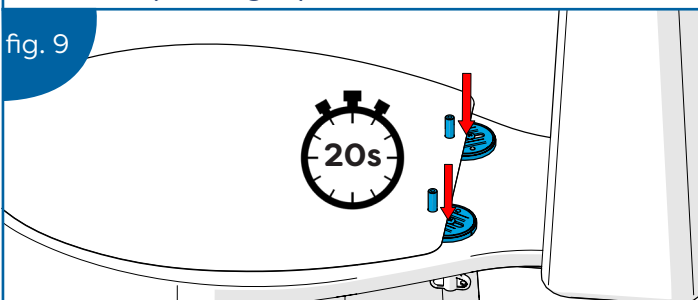
3. Align the template (P) with your toilet pan by rotating and sliding the brackets. (See Fig. 8)

fig. 8



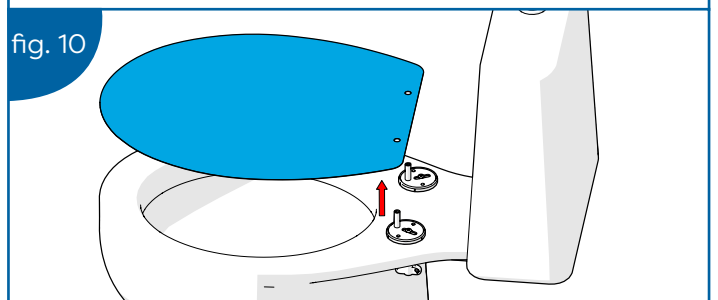
4. Once you are confident with the position of your template (P), apply pressure on each bracket assembly until the adhesive tape contacts the toilet pan. **Hold down for 20 seconds.** (See Fig. 9)

fig. 9



5. Carefully remove the template (P) **without disturbing the bracket positions.** (See Fig. 10)

fig. 10

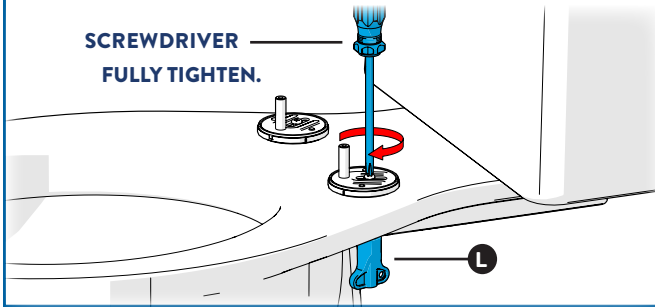


6. Fully tighten the bolts (M) to firmly secure the bracket assemblies. (See Fig. 11 and 12).
• Do not over-tighten.

BOTTOM FIX INSTALLATION

(Fig. 11)

SCREWDRIVER
FULLY TIGHTEN.

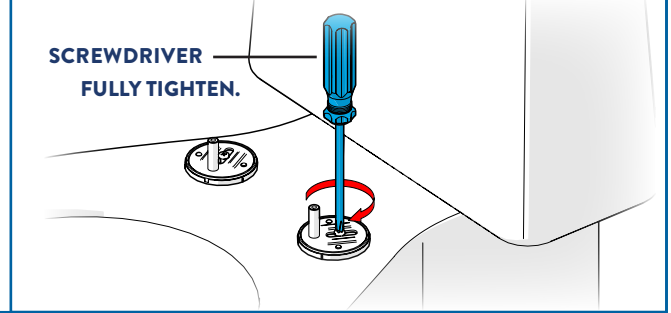


OR

TOP FIX INSTALLATION

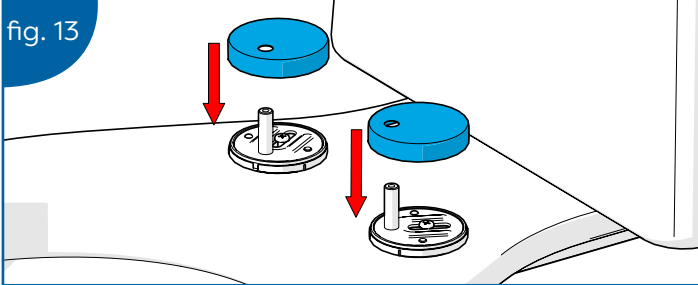
(Fig. 12)

SCREWDRIVER
FULLY TIGHTEN.



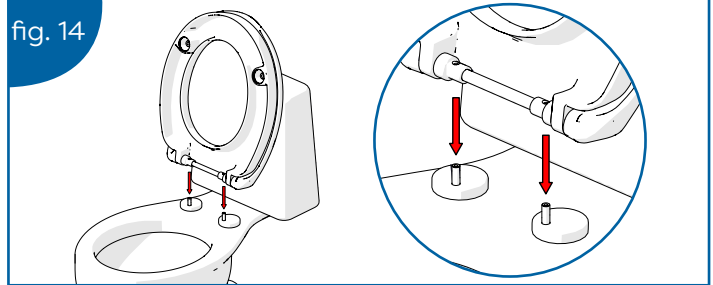
7. Place cover caps (A) onto the bracket assemblies. (See Fig. 13)

fig. 13



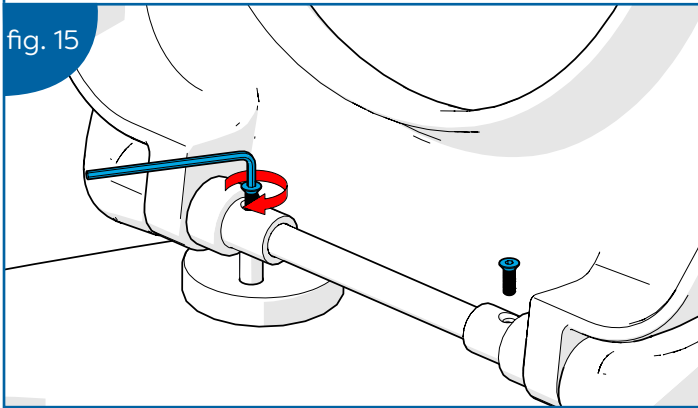
8. Place the seat onto the pillars of the brackets. (See Fig. 14)

fig. 14



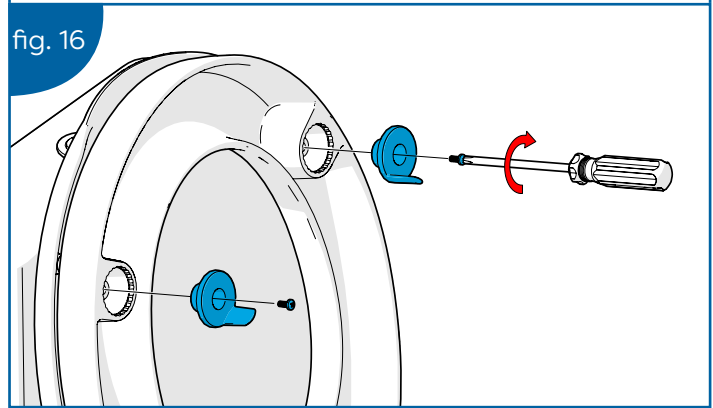
9. Secure the seat using the two bracket screws (I) and hex key (N) provided. (See Fig. 15) Do not to over-tighten.

fig. 15



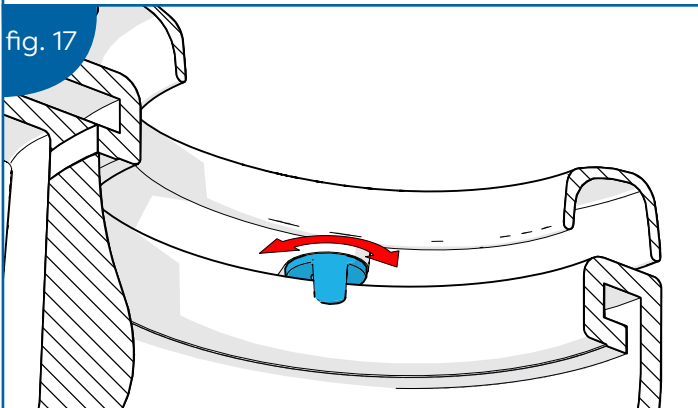
10. Loosely assemble the locking buffers (F) onto the seat. (See Fig. 16) The locking buffers (F) should be free to rotate.

fig. 16



11. Rotate the locking buffers (F) to a position where they restrict the lateral movement of the seat. They **MUST BE CLOSE BUT NOT IN CONTACT** with the toilet pan. (See Fig. 17)

fig. 17



12. Once you are happy with the position of the locking buffer (F), fully tighten and cover with buffer (G). (See Fig. 18) Do not to over-tighten.

fig. 18

