

## Thermostatic Deck/Wall Mounted Shower Bath Valve

### Plumbing Systems and Water Pressure

All products are suitable for all UK Water Authority supply pressures. If the taps are installed at low pressure (tank fed) then the minimum height from the outlet of the nozzle to the underside of the cold tank should be 1.8 metres to ensure adequate performance.

These taps should be installed in accordance with the current Water Regulations. Any claims that may arise will be dealt with on the basis that isolating valves are fitted.

### Water Pressure:

We recommend a minimum water pressure of 0.5 Bar and a maximum of 5 Bar to ensure efficient operation of your product.

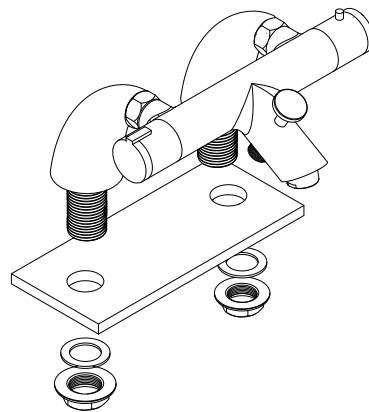
### Cleaning/General Care

Chrome and Gold plated finishes should be cleaned with warm water and a soft cloth, rinsed and then immediately buffed with a dry soft cloth. Under no circumstances must any aggressive or abrasive cleaning agents be used. The use of any abrasive agents or materials will invalidate the guarantee.

### Customer Care Helpline

Telephone: 01386 800750

Email: [customerservices@plumbworld.co.uk](mailto:customerservices@plumbworld.co.uk)



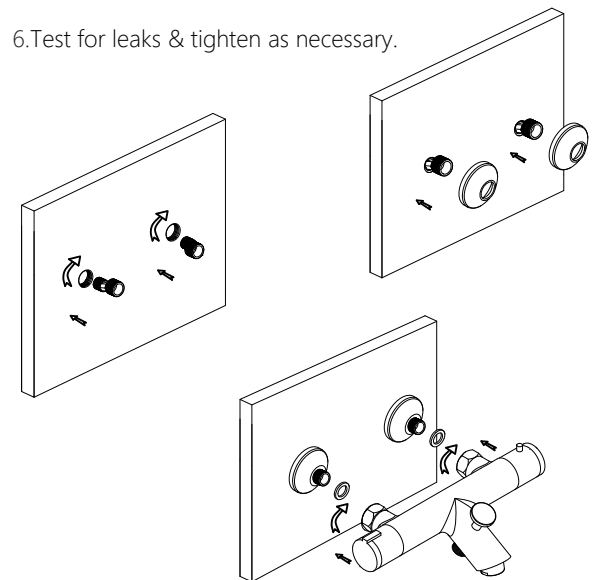
### Installation Guide

*Follow these instructions before fitting the tap detailed in this guide.*

**Prior to installation, please check that your plumbing system is adequate and that all pipes have been sufficiently flushed through.**

1. Before installation, turn on the hot and cold water supply and allow to run for a few minutes to flush out the piping system thoroughly.
2. Shut off hot and cold water supply.
3. Screw the left & right legs into the valve body.
4. Take off the plastic hex nut and washer from the legs, then put the two 3/4 threaded legs through the tap holes in the bath.
5. Use the washer and nut lock the taps.
6. Connect the hot and cold water supply to the two 3/4 threaded legs ensuring hot and cold is connected correctly
7. Test for leaks & tighten as necessary

1. Before installation, turn on the hot and cold water supply and allow to run for a few minutes to flush out the piping system thoroughly.
2. Shut off hot and cold water supply.
3. Inlet pipework should be at 150mm pipe centers (this is only a guideline. Please make sure you receive your product and measure before commencing with installation).
4. Wrap PTFE tape to the offset connectors and fix to the inlet pipes
5. Fix the ornament covers to the offset connectors, put the washers into the hex nuts, and then fix the shower mixer to the offset connectors. (Please check the hot inlet is with a red mark and the cold inlet with a blue mark).
6. Test for leaks & tighten as necessary.



## **Check out our full range of Bathroom Taps**

Contemporary Bathroom Taps

Traditional Bathroom Taps

Waterfall Bathroom Taps

Basin Taps

Bath Taps

Bidet Taps

## **Luxury Mira Aspects Taps**

Mira Honesty

Mira Evolve

Mira Precision

Mira Comfort

Mira Revive

Mira Fluency

## **Don't forget these amazing tap cleaning and care products**

Cramer Tap Cleaner

Cramer Chrom Star Chrome Polish

**plumbworld**  
**Big brands, small prices.**