

# LST



**Dimplex**<sup>®</sup>

Introducing LST.

The low surface temperature range.

February 2015.

[dimplex.co.uk](http://dimplex.co.uk)

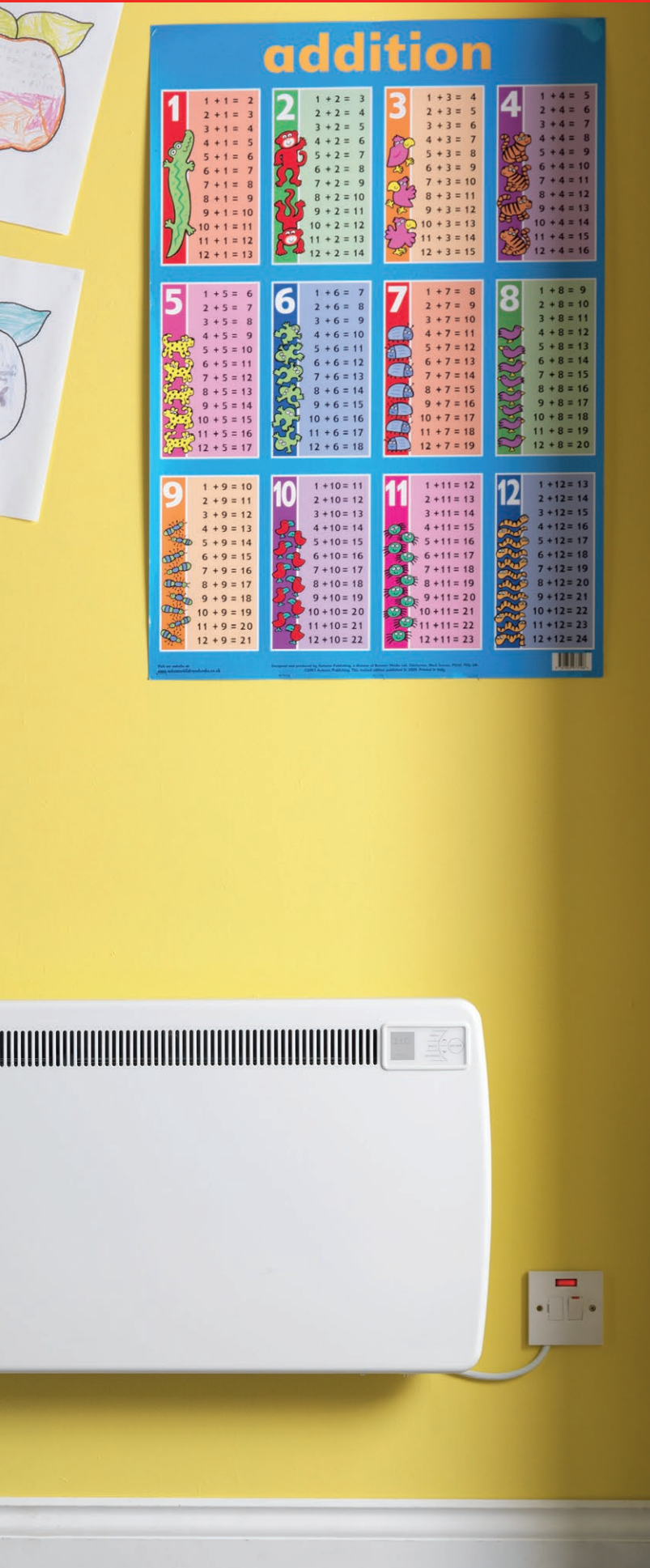
# Introducing LST – the intelligent commercial electric heater. Purpose designed to heat areas where vulnerable people are present.

For over 60 years Dimplex has built its portfolio to the point where it is now the brand leader in electric space heating, offering a selection of over 700 products within the electric space heating sector alone – the widest in the world. Its growth can be attributed to providing affordable heating solutions that are efficient, reliable and durable, as well as attractively designed.

With a proud reputation for continued investment in quality and innovation, Dimplex is delighted to introduce its latest innovation: the low surface temperature (LST) range.

Designed and developed by our in-house team of experts, and manufactured in our own factory in the UK, LST incorporates the most advanced technologies to give you maximum control over your heating. It's our most intelligent commercial electric heater yet, and is purpose designed to comply with the maximum surface temperature requirements of 43°C as recommended by NHS estates health guidance notes.





## Why is LST so good?

- ✓ Complies with NHS estates health guidance notes (1998) surface temperature regulations.
- ✓ Intelligent electric heater.
- ✓ 'Eco-Start' – delayed start anticipatory control – the heater decides when to turn on to ensure target temperature is achieved at the selected time.
- ✓ Advanced touch control system.
- ✓ Open window sensing technology automatically reduces output to prevent heat loss if a window is left open.
- ✓ Integral low speed fan enables rapid and even heat distribution from a compact slimline product.



## LST – at a glance.

The Dimplex LST range has been specifically designed to meet the heating requirements of particular environments where vulnerable members of the community such as infants, the young, or elderly are liable to be present. Each fan-assisted heater has been optimised to give the maximum output to efficiently and rapidly heat the room, from the most compact and slimline style available, ensuring that no part of the heater exceeds 43°C surface temperature.

**The perfect heating solution for hospitals, schools, kindergartens, nurseries, retirement homes, sheltered housing, nursing homes and sports halls.**

- Our most intelligent commercial electric heater.
- Highly accurate electronic thermostat (to  $\pm 0.2^{\circ}\text{C}$ ) with frost protection settings.
- Advanced touch control system offering temperature selection and preset programmes for maximum control with complete flexibility.

- 24-hour and 7-day timer control ensures suitability for domestic and commercial applications.
- Maximum surface temperature remains under 43°C to comply with NHS estate health guidance notes.
- Open Window Technology automatically reduces output to prevent heat loss if a window is left open, thereby saving money.
- Stylish, compact and slimline design.
- Splash proof to IP24 for use in bathrooms.
- Child lock – locks controls so that they can't be tampered with.
- Safety cutouts.
- BEAB approved.
- Eco-Start technology.

The LST monitors the effect of its actions on a room's temperature. It knows precisely how long it takes to get to the desired temperature and when to turn off as it approaches that target temperature. This minimises the energy that it uses, while maximising comfort – keeping occupants warm for the lowest possible cost.

An integral fan allows the LST heater to heat the room up more quickly and react more responsively to changes in room temperature than non-fan-assisted heaters. This means improved control, comfort and energy saving. Utilising fan technology also means that it is possible to achieve a higher heat output than comparably sized non-fan-assisted convector heaters, yet still comply with surface temperature restrictions.



LST combines state-of-the-art technology with intuitive operation.

### Visual and audible feedback.

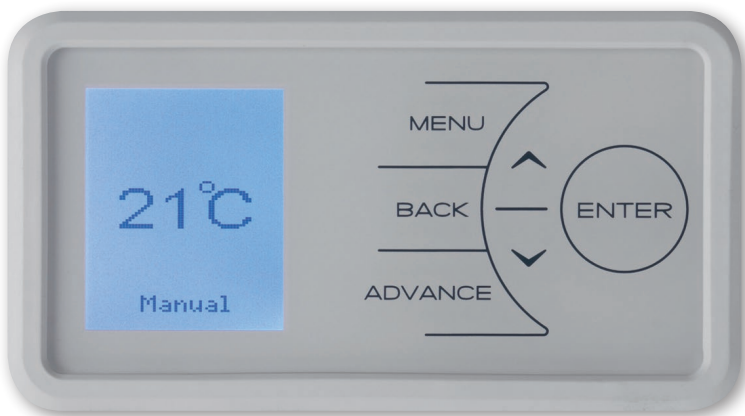
The heater control lets you choose when you want to heat the room and to what temperature. This electronic interface comprises an LCD display screen and six touch-sensitive buttons: **Menu**, **Back**, **Advance**, **Up** (arrow), **Down** (arrow) and **Enter**, which make an audible 'beep' when pressed. The pitch of the sound will rise and fall in line with the temperature selected and the temperature display is also colour-coded to assist the visually impaired. (Note, audio feedback may be disabled where not required.)

### Pre-programmed settings.

LST comes with four pre-programmed timer modes: **Out All Day**, **Home All Day**, **Holiday** and **Use Timer**. The times of these may be modified to suit your lifestyle, plus there's a handy **Advance** function that lets you change your settings temporarily. For example, you might want to give a 'Boost' of temporary heating for between one and four hours.

### Child lock.

LST features a Child Lock to prevent little hands from tinkering with your settings. Activating this is easy: simply press and hold the **Back** and **Enter** buttons on the heater control for three seconds. The words 'Child Lock' will appear at the bottom of the screen to tell you that this function is active.



# Energy saving features.

LST boasts a range of unique, intelligent features which work automatically to help keep you warm for less.



## 'Eco-Start' delayed start anticipatory control.

LST has a unique, self-learning delayed start function, which learns the thermal characteristics of a room and determines how long the appliance needs to operate in order to reach target temperature based on factors such as room size, heat losses and the prevailing weather.

Measuring the heat-up and cool-down times of the room, and how they vary with external temperature, the heater will work out what time it needs to start heating in order to reach the user-defined target temperature at a specified time.

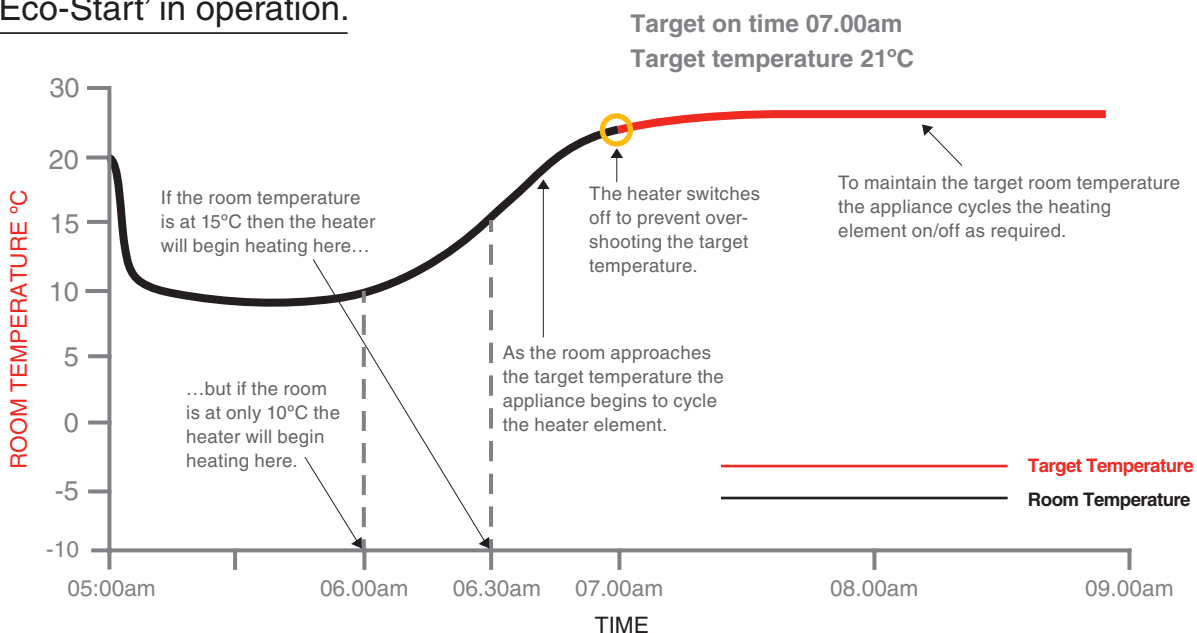
Inevitably this minimises wasted energy and can deliver cost savings for users. E.g. If you plan to use the room at 7am and your desired temperature is 21°C, with a traditional system, you would need to estimate when to set the heating to come on to ensure it preheats the room in time. Depending on your settings and the prevailing temperature, this could mean that the room is still cold when you enter or that it has been warm for some time before it needed to be. However, (as the graph below demonstrates), with this clever feature, LST anticipates when it needs to start heating to reach 21°C by 7am, pre-heating for shorter periods when the weather is mild and longer periods to ensure you're warm in winter.



## Open window detection.

Should a window or door be left open accidentally, LST will detect a sudden change in temperature and scale back the output to 50%. Once the window or door has been closed, LST will return to normal operation. This technology ensures the output from the heater is reduced when heat is escaping from a room, thereby avoiding wastage and saving money without the need for additional, external sensors.

## 'Eco-Start' in operation.



# Technical specifications.

## Thermostat.

Electronic type, accurate to  $\pm 0.2^{\circ}\text{C}$ .

## Convect element.

Compact, finned, mineral-filled sheathed type.

## Thermal cut-out.

Two auto reset cut-outs.

## Construction.

Durable epoxy-polyester powder coated steel casing, with outward facing grille. Temperature resistant nylon thermoplastic moulded parts.

## Colour/Finish.

White.

## Installation.

Supplied with metal wall bracket.

## Electrical connections.

1.0m, 4-core cable (live, neutral, earth, pilot) supplied fitted to each heater.

## IP rating.

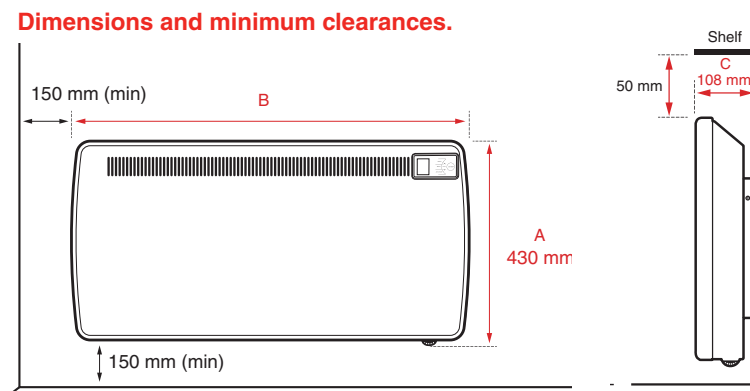
Splashproof IP24.

## Noise level.

35db.

Model No.	Loading	Heat output	Height A	Width B	Depth C	Weight
LST050	0.5kW	500W	430mm	688mm	108mm	7.1kg
LST075	0.75kW	750W	430mm	688mm	108mm	7.1kg
LST100	1.0kW	1.0kW	430mm	688mm	108mm	8.7kg
LST150	1.5kW	1.5kW	430mm	860mm	108mm	9.4kg

## Dimensions and minimum clearances.



Model LSTS

This compact rail meets the NHS guidance notes on safe surface temperatures. The surface will not exceed  $43^{\circ}\text{C}$  during operation. This makes it ideal for hospitals, schools, retirement homes, sheltered housing, nursing homes and public restrooms.

## Also available:

### Low surface temperature towel rail.

Model	Output	Height (A)	Width (B)	Depth (C)	Weight
	(W)	(mm)	(mm)	(mm)	(kg)
LSTS	15	555	568	93	1.7

Further information on this product can be found at [www.dimplex.co.uk](http://www.dimplex.co.uk) or by ordering a copy of our Heatbook – call us on 0844 879 3587.

## Specifications.

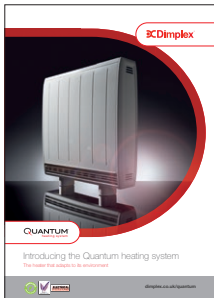
Dimplex policy is one of continuous improvement; the Company therefore reserves the right to alter specifications without notice. The information contained in this brochure is correct at the time of printing. You are advised to consult your Dealer before purchasing.

## Installation Guidance.

This brochure is designed to assist you with your choice of Dimplex products and it is not intended as an installation guide. For safety, products should only be installed by a competent person, in accordance with current regulations and the manufacturer's instructions.

## The Dimplex Range.

Dimplex offers the widest range of renewable energy, electric space and water heating products in the world – over 700. In addition to this publication, we have a wide range of brochures for both domestic and commercial applications. Please visit our website [www.dimplex.co.uk](http://www.dimplex.co.uk) for more information.



Quantum off-peak heater brochure



Q-Rad electric radiator brochure



Quantum hot water cylinder brochure



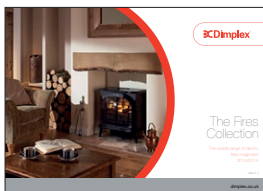
Domestic heating brochure



Designer panel heating brochure



Towel rail brochure



Electric fires brochure



Commercial brochure



Renewables heat for installers brochure



Renewables at home brochure



Solid fuel brochure

For more information on LST, please:

Visit: [www.dimplex.co.uk/LST](http://www.dimplex.co.uk/LST)

Email: [customer.services@dimplex.co.uk](mailto:customer.services@dimplex.co.uk)

Call: **0844 879 3587**

A division of the GDC Group, Millbrook House, Grange Drive, Hedge End, Southampton SO30 2DF  
For Northern Ireland, contact Glen Dimplex N.I. Limited, Unit No 24, Seagoe Industrial Estate, Portadown, Craigavon, Co. Armagh BT63 5TH  
For Republic of Ireland, contact Dimpco on +353 (0)1 8424 277, email [sales@dimpco.ie](mailto:sales@dimpco.ie) or visit [www.dimpco.ie](http://www.dimpco.ie)



All the products shown in this brochure are protected by intellectual property rights owned by GDC or members of the Glen Dimplex Group on an international basis. The Glen Dimplex Group of Companies will actively protect these rights.

©Dimplex. All rights reserved. Material contained in this publication may not be produced in whole or in part without prior permission in writing from Dimplex.

D1738/0215