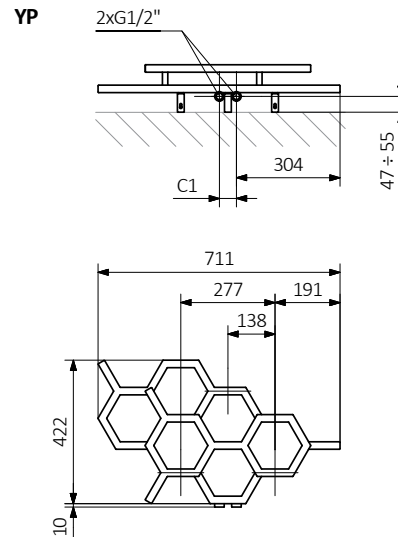
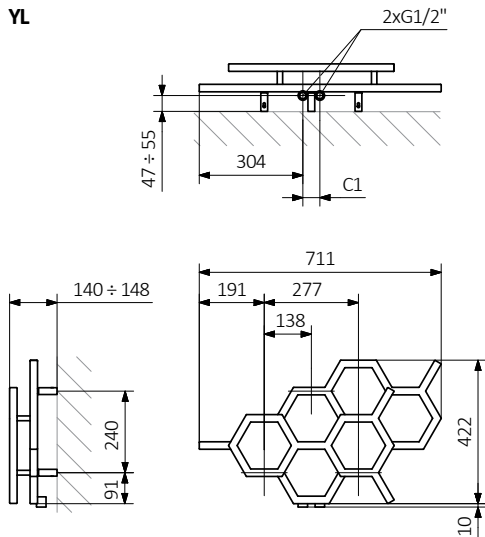


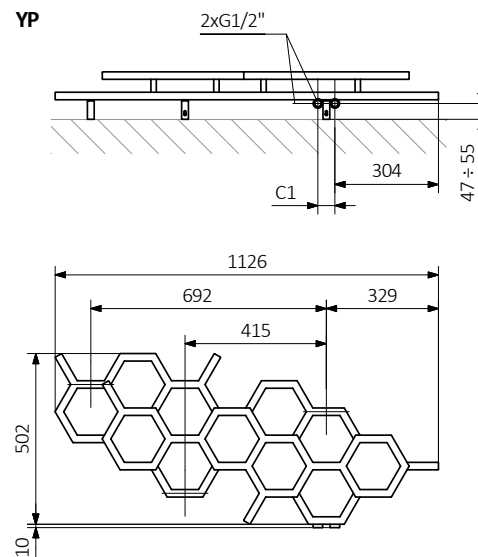
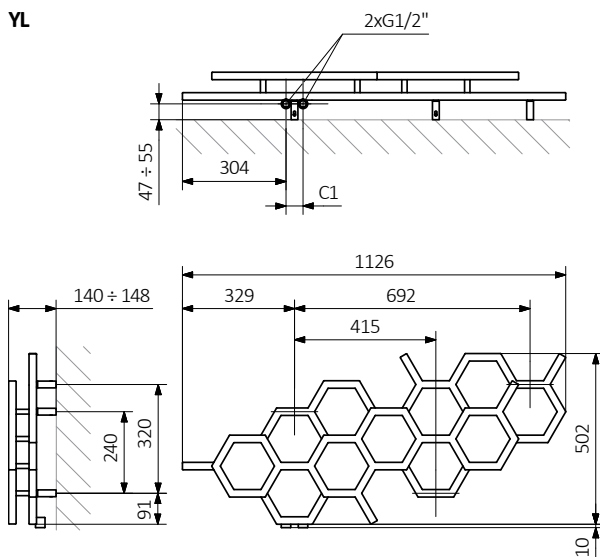


## Technical drawing:

422 x 711  
 ↕    ↔

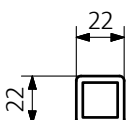


502 x 1126  
 ↕    ↔



A – Height    B – Width    C1-C5 – Distance between pipe centres    D – Horizontal distance between mounting bracket centres  
 E – Vertical distance between mounting brackets    F – Distance between a mounting bracket and the bottom of the radiator

**Pipe:**





## Technical drawing:

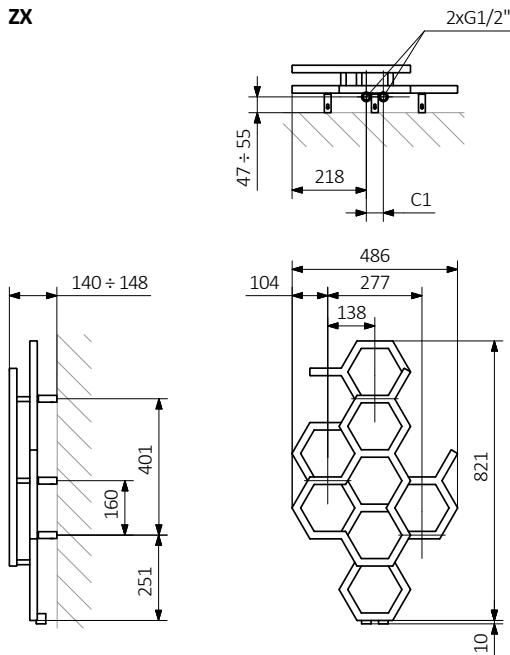
821 x 486



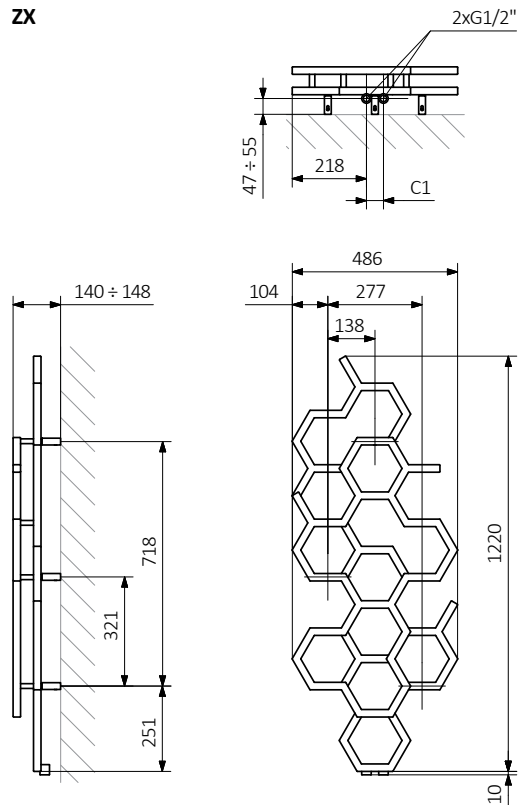
1220 x 486



ZX

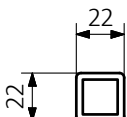


ZX



A – Height B – Width C1-C5 – Distance between pipe centres D – Horizontal distance between mounting bracket centres  
E – Vertical distance between mounting brackets F – Distance between a mounting bracket and the bottom of the radiator

Pipe:

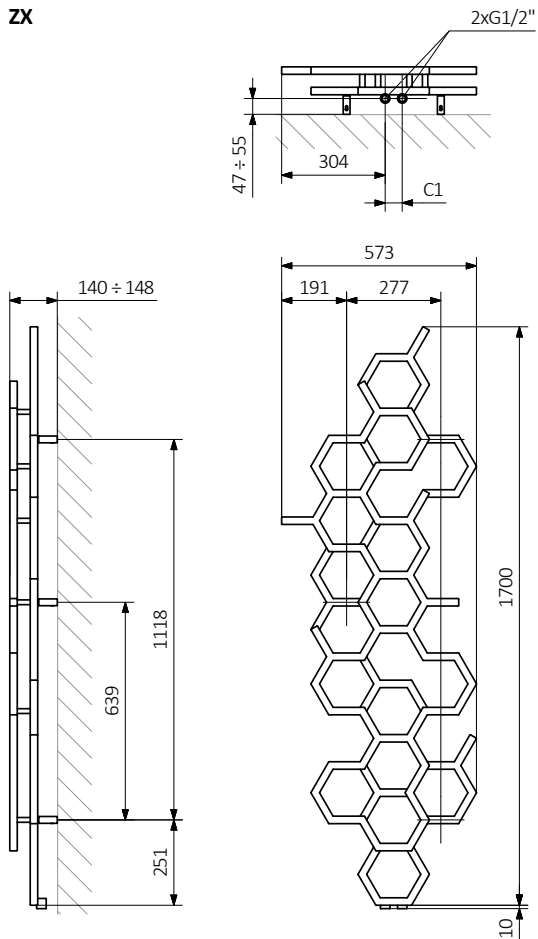




## Technical drawing:

1700 x 573  
 ↓ ↔

ZX



A – Height B – Width C1-C5 – Distance between pipe centres D – Horizontal distance between mounting bracket centres  
 E – Vertical distance between mounting brackets F – Distance between a mounting bracket and the bottom of the radiator

Pipe:

