

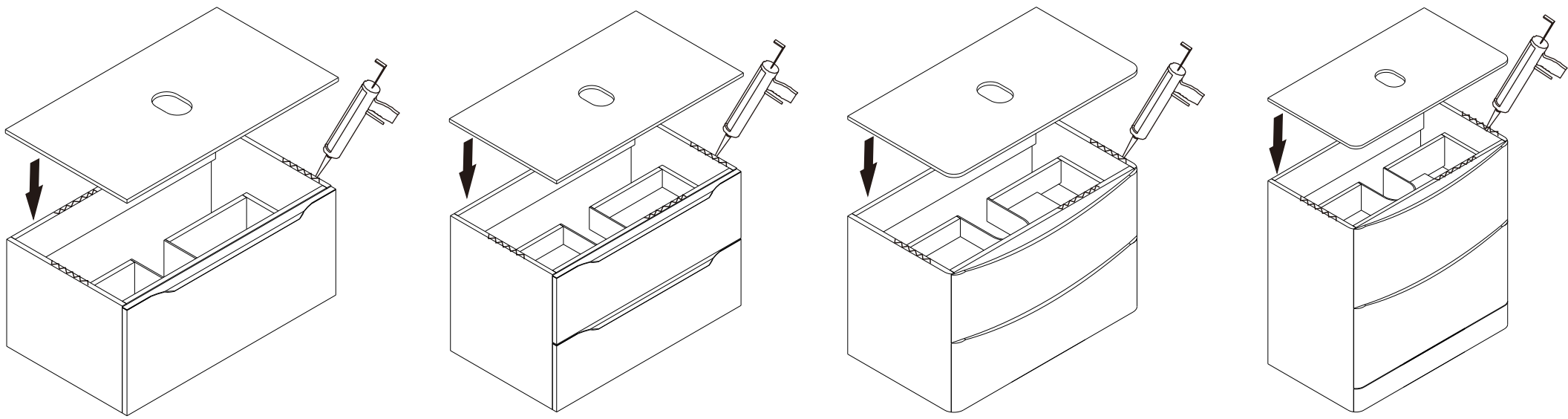
Top installation Guide

Worktop is very hard sintered stone. Must need a special tool to cut out the tap hole.

Requested a professional man to cut out tap hole on the worktop if need fix the tap on the worktop. The standard tap hole size is diameter 35mm

Do not need cut out the tap hole if the tap on the wall.

1



2

