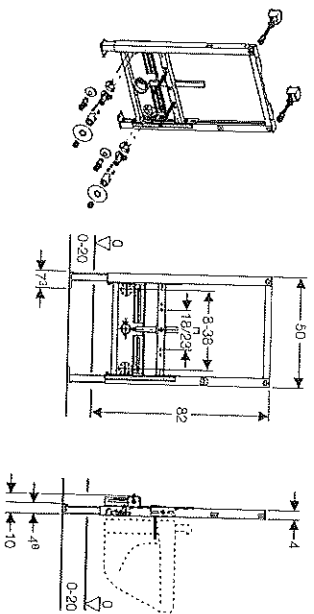


Geberit Duofix frame for bidet, H82



Application

- For installation of a wall-hung bidet with bolt fixings set at 180 or 290 mm centres
- For installation in a partial-height Duofix system wall in front of a solid or drywall construction
- For mounting in front of a solid or drywall construction
- For a screed of 0-20 mm

Characteristics

- Frame height 820 mm
- Bidet fastening distance 180 mm or 230 mm
- Frame with holes \varnothing 9 mm for fastening in wood frame construction
- Galvanised leg supports, steplessly adjustable 0-200 mm
- Self-supporting
- Frame with C profile 40/40 mm
- Powder-coated frame, ultramarine blue
- Feet can be retracted 50 mm
- Rotating foot plate, for installation in UW50 profiles
- With wall anchors to allow up to a 200 mm duct. For larger ducts up to 400 mm use extension bolts 111.887.00.1
- With backplate elbows and chrome isolating valves with 3/8" BSP connection

Scope of Delivery

- 2 water connections R 1/2", 2 angle stop valves R 1/2", 2 Duofix PreWall brackets for systems; 2 threaded rods M12 for ceramics fastening; Fastening material

Ordering Information

Article no.	PU1
111.543.00.1	1