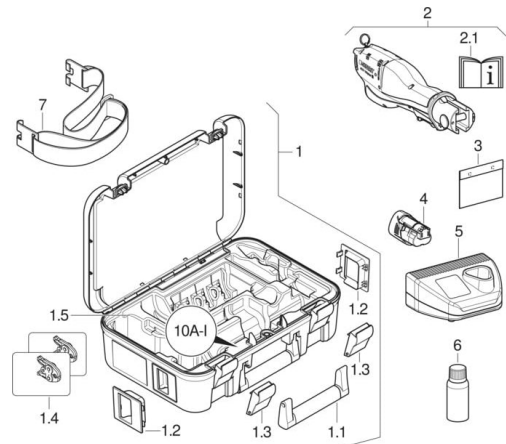


Spare parts for: Pressing tools ACO 103plus [1] 2018 -



BRAND

Geberit

TYPE

ACO 103plus

CHARACTERISTICS

Year of manufacture from

2018

INFO

- From case insert 10A I
- Only the listed articles are available

#	Art. no.	Description	Replacement for	Remarks
1	691.134.00.1	Geberit case for pressing tools [1], battery operation, with insert 10A-IV: ABS		From case insert 10A-I
1.4	968.398.00.1	Geberit set of stickers for ACO 103plus pressing tool [1] (2 pc.): Compatibility=[1]		

#	Art. no.	Description	Replacement for	Remarks
1.5	691.121.00.1	Geberit case insert 10A-IV for pressing tools [1], battery operation: ABS		
2	690.017.00.1	Geberit ACO 103plus pressing tool [1], 12 V, without battery: Power consumption=240W	690.015.00.1	
2.1	965.621.00.1	Geberit safety notes for pressing tools		
2.1	231.057.00.1	Geberit user manual for ACO 103plus pressing tool [1]: Compatibility=[1]		
3	995.013.00.1	Geberit document folder C5, transparent		
4	690.019.00.1	Geberit Li-ion battery 12 V: Battery capacity=2Ah	690.016.00.1	
5	242.614.P5.1	Geberit battery charger 12 V / 230 V: Plug type=BS 1363 A, Power consumption=55W		
6	691.106.00.1	Kroon-Oil®: Content=120ml	90000	
7	691.129.00.1	Geberit carrying belt for case		

VALID FOR ARTICLES

- 691.017.P5.1