

Outdoor sensor

Installation



wireless outdoor sensor



Configuring the outdoor sensor

INTRODUCTION

The outdoor sensor enables the measurement and transmission of the outside temperature to the heating system. The heating system adjusts the temperature of the heating water according to the outside temperature.

The power is provided by a photovoltaic cell. The outdoor sensor does not contain any batteries to replace.

The wireless outdoor sensor has been designed for use with the Climapro₂ RF programmable room thermostat or Systempro and is not compatible with the climastats, Climapro and the Climapro RF.

1 Recycling

The recycling of the packaging must be done by the qualified professional who has installed your appliance.

1.1 Appliance

Most of the outdoor sensor is made of recyclable materials.



This symbol indicates that this appliance should not be deposited with common refuse; it is to be collected separately for its recovery, reuse or recycling.

- Deposit the appliance at an appropriate collection point for the treatment, **evaluation and recycling.**

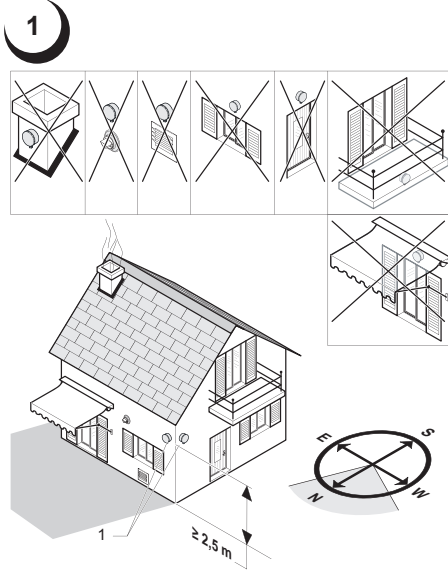
By adhering to this directive, you are helping the environment and contributing to the preservation of natural resources and the protection of human health.

1.2 Packaging

We recommend that you recycle the packaging of the appliance in a responsible fashion.

- Sort the waste in order to separate those elements which can be recycled (cardboard, plastics) and those which cannot be recycled.
- Dispose of the waste in accordance with existing regulations.

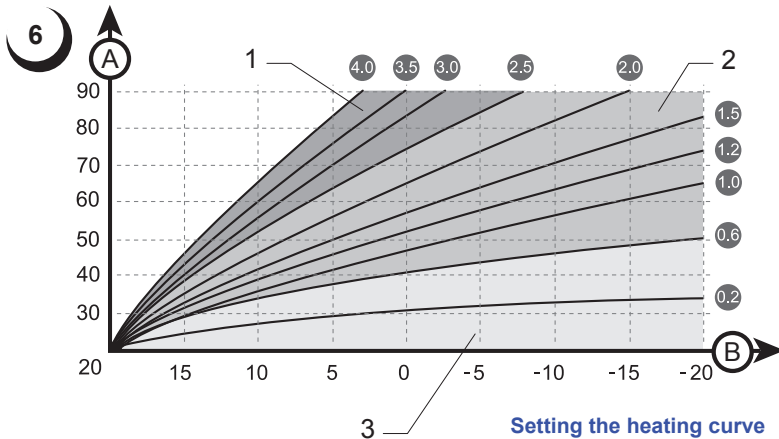
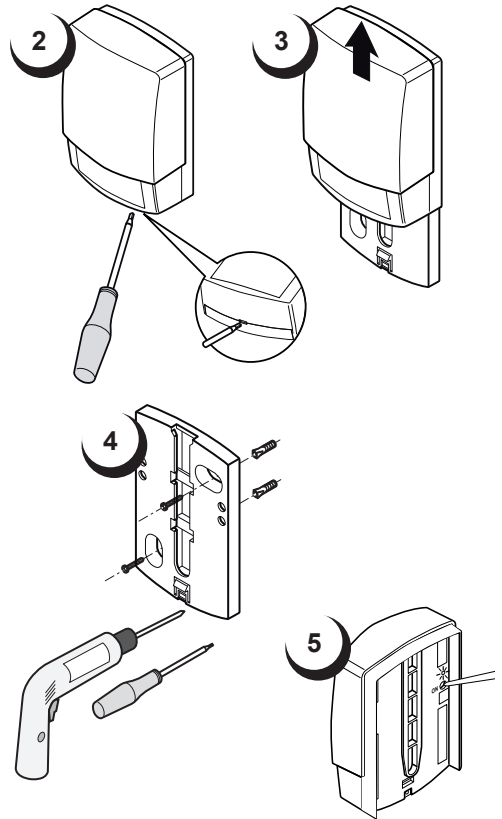
INSTALLATION



Mounting location

1 Outdoor sensor

Install the sensor so that it is sheltered from wind, draughts and direct exposure to the sun.



Setting the heating curve

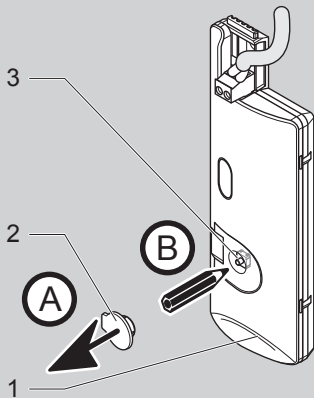
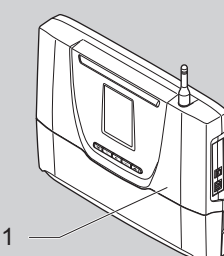
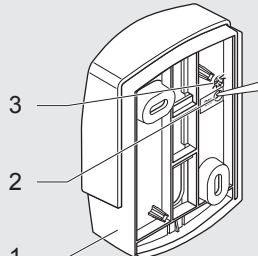
- 1 Older properties with radiators
- 2 Standard/modern house with radiators
- 3 Highly insulated modern house with low temperature radiators or underfloor heating

A Heating flow temperature
B External temperature

2 Pairing (detection)

It is possible to connect the outdoor sensor with the Climapro₂ RF programmable room thermostat (via the radio receiver) or the Systempro control unit.

The action is carried out simultaneously on both the radio receiver of the room thermostat or control unit and the outdoor temperature sensor.

<p>via radio receiver</p>  <p>Legend</p> <p>1 Radio receiver 2 Plug 3 Pairing button</p> <ul style="list-style-type: none"> Remove the plug (2) to access the pairing button (3). Press the pairing button (3) for 10 seconds. <p>The outside temperature appears on the room thermostat within 30 minutes max.</p>	<p>OR</p>	<p>via the control unit</p>  <p>Legend</p> <p>1 Control unit</p> <p>From the installation menu of the control unit select > Roomstat/Sensor > outdoor sensor > connection</p> <p>The message "Connection completed" is displayed on the screen of the control unit.</p>	<p>+ the outdoor sensor</p>  <p>Legend</p> <p>1 Outdoor temperature sensor 2 Pairing button 3 Green LED</p> <ul style="list-style-type: none"> Press the pairing button (2), which is on the back of the outdoor temperature sensor. <p>The green LED (3) will flash once. The outdoor sensor is then paired.</p>
---	------------------	--	--

3 Settings

There are three parameters to set in the heating system:

- the heating curve,
- the maximum flow heating temperature,
- the correction of the outdoor temperature.

It is important that all the settings are made on all the component parts of the heating system:

- the Systempro control unit,
- the Climapro₂ RF programmable room thermostat,
- the boiler.

i *The outdoor sensor sends data on the outside temperature to the room thermostat (via the radio receiver) or the control unit every 10 minutes.*

i *Should the connection to the outdoor sensor be interrupted, the regulation of the system will be modified after a period of 7 days.*

The Systempro control unit will make modifications according to an outside temperature reading of 0 °C (default).

The room thermostat will make modifications without taking into account the outdoor temperature reading.

3.1 Adjustment of the heating curve (fig. 6)

Choose the curve (value adjustable between 0.2 and 4), which allows you to obtain the maximum heating flow temperature for the usual minimum outdoor temperature for the region in which the sensor is installed.

i *Comment: The lower the heat loss of the house, the lower the value of the heat curve required:
[0.2 - 0.6] highly insulated modern house with low temperature radiators or underfloor heating,
[≈1.5] standard/modern house with radiators,
[2.5 - 4] older properties with radiators.*

3.2 Setting the maximum flow heating temperature.

This function, available on the control unit and on the boiler, enables the maximum heating output temperature to be set (value adjustable between 30 °C and 80 °C).

- Consult the instruction manuals of the control unit and the boiler.

3.3 Outdoor temperature correction

This function, available on the control unit and on the room thermostat, enables the temperature measured by the outdoor sensor to be corrected (+/- 5 °C at 1 °C intervals).

- Consult the Climapro₂ RF instruction manual.

MAINTENANCE

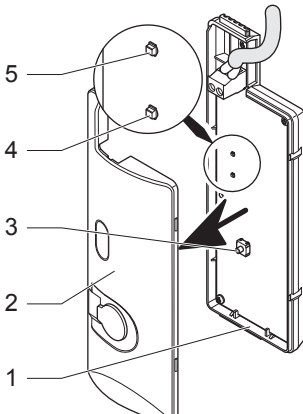
4 Fault diagnosis

I *Faults described in this chapter should be carried out by a qualified engineer and if needed by the After Sales Service.*

In the event of a problem:

- Check the error messages in the display zone for the room thermostat.

State	Cause	Solution
The room thermostat does not display the external temperature or displays «T° ext. --».	- Pairing fault. - Radio signal transmission fault.	<ul style="list-style-type: none"> • Wait a maximum of 30 minutes after pairing for the external temperature to be displayed. • Reduce the distance and the obstacles between the outdoor sensor and the heating systems.
The room thermostat displays an external temperature that is inconsistent or erroneous.	- Radio signal transmission fault.	<ul style="list-style-type: none"> • Test the quality of the radio signal (see the installation notice for the room thermostat). • If the result of the test is «connection error», reduce the distance and the obstacles between the outdoor sensor and the heating system.
The room thermostat displays «connection error».	- Pairing fault.	<ul style="list-style-type: none"> • Re-perform the pairing procedure between the outdoor sensor and the radio receiver. • Reduce the distance and the obstacles between the outdoor sensor and the heating systems.
The control unit displays «connection error».	- Pairing fault	<ul style="list-style-type: none"> • Re-perform the pairing procedure between the outdoor sensor and the control unit. • Reduce the distance and the obstacles between the outdoor sensor and the heating systems.
The outdoor sensor's green LED flashes after pairing.	- Fault in the transmission of the radio signal between it and the control unit.	<ul style="list-style-type: none"> • Re-perform the pairing procedure between the outdoor sensor and the control unit.

State	Cause	Solution									
<p>The outdoor sensor's green LED flashes after pairing.</p>	<p>- Fault in the transmission of the radio signal between the outdoor sensor and the radio receiver.</p>	<ul style="list-style-type: none"> • Re-perform the pairing procedure with the outdoor sensor.  <p>Legend</p> <ul style="list-style-type: none"> 1 Radio receiver 2 Cover 3 Pairing button 4 Red LED 5 Green LED <ul style="list-style-type: none"> • Remove the cover (2) in order to access the pairing button (3) and the LEDs (4) and (5). • Check the status of the 2 LEDs (green (5) and red (4)) located on the radio receiver's electronic board (1). <table border="1" data-bbox="476 933 991 1356"> <thead> <tr> <th>Radio receiver</th> <th>Cause</th> <th>Solution</th> </tr> </thead> <tbody> <tr> <td>Green LED off and Red LED off</td> <td>- Power cut - Defective EBUS connection cable</td> <td> <ul style="list-style-type: none"> • Check that there is no power cut in the electrical network and that the appliance is correctly connected and switched on. • Check the electrical connection between the radio receiver and the appliance. </td> </tr> <tr> <td>Red LED lit</td> <td>• Fault that does not concern the outdoor sensor. See the installation manual for the Climapro₂ RF.</td> <td></td> </tr> </tbody> </table> <ul style="list-style-type: none"> • Press the pairing button (3) for 10 seconds. The green LED (5) will flash for 10 minutes. The outside temperature appears on the room thermostat within 30 minutes max. 	Radio receiver	Cause	Solution	Green LED off and Red LED off	- Power cut - Defective EBUS connection cable	<ul style="list-style-type: none"> • Check that there is no power cut in the electrical network and that the appliance is correctly connected and switched on. • Check the electrical connection between the radio receiver and the appliance. 	Red LED lit	• Fault that does not concern the outdoor sensor. See the installation manual for the Climapro ₂ RF.	
Radio receiver	Cause	Solution									
Green LED off and Red LED off	- Power cut - Defective EBUS connection cable	<ul style="list-style-type: none"> • Check that there is no power cut in the electrical network and that the appliance is correctly connected and switched on. • Check the electrical connection between the radio receiver and the appliance. 									
Red LED lit	• Fault that does not concern the outdoor sensor. See the installation manual for the Climapro ₂ RF.										



Because of our constant endeavour for improvement, details may vary slightly from those shown in these instructions.

Glow-worm, Nottingham Road, Belper, Derbyshire. DE56 1JT