



LIGHTING • FIRE & CO DETECTION

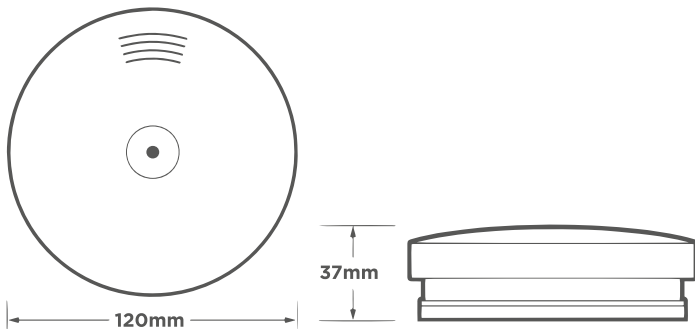


# 10 YEAR BATTERY OPERATED OPTICAL SMOKE DETECTOR

WITH 10 YEAR LITHIUM BATTERY

## FEATURES

- Loud 85dB alarm
- 10yr Sealed Lithium Battery
- Insect proof
- Test button
- Low battery warning
- Easy installation



## TECHNICAL INFORMATION

Scheme Rating:	F1
Detection Type:	Optical Sensor
Power Source:	Sealed Lithium Battery with 10 year life
Alarm Sound Level:	85dB at 3 metres
Operating Temp:	0°C ~ 40°C
Ambient Humidity:	10% - 90%
Sensitivity To Smoke:	0.08-0.18db/m
Test Button:	Multifunction with LED warning indicator
Approvals:	BS EN14604:2005

Product Code: HSA/BP/10



hispec.co.uk

