

HR92 WIRELESS RADIATOR CONTROLLER

PRODUCT DATA SHEET



MAIN FEATURES

- New attractive design with high gloss polished surface
- User friendly because of large, adjustable backlight display it can be easily viewed or folded away flat.
- Local language selection
- Displays zone name
Fast mounting and taking into operation through simple commissioning. Fits on the most common radiator valves of the type M30x1,5
- Connection of external wired window contact
- Anti-theft protection for batteries and device
- Basic operating settings

OVERVIEW

Honeywell HR92 is a wireless radiator controller with a modern ergonomically-design and provides features for convenience and energy saving.

The controller use two-way communication based on a frequency of 868MHZ which can be easily integrated in heating systems evohome and other applications.

User-friendly

Large adjustable display. The display is switched On as soon as the button is pressed or the wheel is rotated.

Display of information by using symbols and line of text example zone name.

Manual setpoint override possible at any time

Mounting

Fast installation due to the simple lock mechanism closing the device at the radiator valve. Easily to bound into the system BINDING information and Radio frequency communication check is displayed on the display.

Energy saving features:

-With the auto-window function, the radiator valve is closed when ventilating the room.

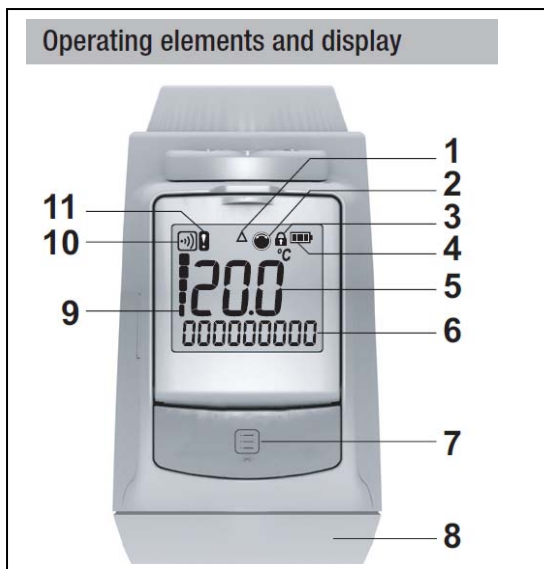
Optional the HR92 can be connected with external wired window contact HCA30, cable ACS90 is required.

Basic operating settings (parameters) are selectable.

Example:

- Select local language
- Switch backlight display On/Off
- Change sensitivity of the window reaction time
- Valve stroke
- Temperature offset
- Window function Auto or external window contact

50093913-001A



- 1 Displays that the room temperature is received from the central controller
- 2 Displays that the room setpoint was changed manually
- 3 Operation lock
- 4 Battery status
- 5 Temperature display/parameter information
- 6 Text display, 9 characters
- 7 Info button, for displaying the room (zone) information; Function button for binding and configuring
- 8 Adjustment dial
- 9 Radio signal (field strength)
- 10 Radio communication display
- 11 Radio communication error

SPECIFICATION

ELECTRICAL DATA

Power supply: Battery or chargeable batteries
Battery Type: LR6, AA, AM3
 2X ALKALINE 1,5V
 Alternative:
 2x Lithium 1,5V
 2x NiMH 1,2V rechargeable batteries

Display

Backlight display: Text based display 9 characters
 30x26mm (BxH)

ENVIRONMENTAL AND STANDARDS

Environmental temperature : 0 +50 °C
Storage temperature: -20 ...+55 °C
Humidity: 10 ... 90 % relative humidity

For apartments, family houses, business and commercial areas

CERTIFICATION

Standards: CE Conformity, RoHS
 Radio Communication SRD (868.0 ... 870.0 MHz)
 RX Class 2 Range: typically 30 m within residential buildings

Declaration of conformity
 Hereby Honeywell declares that this HR92 is in compliance with the essential requirements and other relevant provisions of Directive 1999/5/EC.

TEMPERATURE CONTROL

Internal Sensor
Sensor: NTC

MECHANICAL DATA

Dimensions (HxWxD): 60 x 54 x 96 mm
Material: PC
IP Class: IP 30
Valve connection: M30 x 1,5

OPTION

Power Module für external

Power supply: APS90 (9...24V AC/DC)
Vandalism protection: AVS90
External window contact: HCA30
Connection cable 2,0m: ACS90
 (for ext. Window contact HCA30)
Front Cap Chromed: AFA90 (VPE 3pcs)

HR92 Single Packs

HR92	5025121383943
HR92UK	5025121382564
HR92 WE	5025121383929

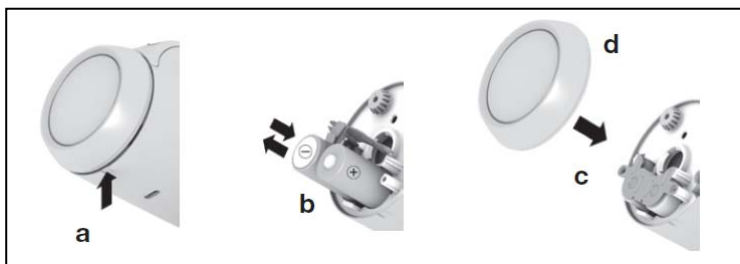
EAN CODE

HR92 Four Packs

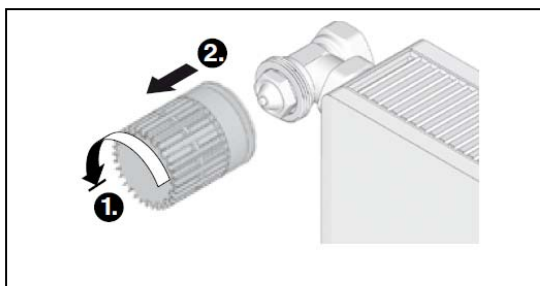
HR924UK pack contains 4x HR92UK	5025121382557
HR924WE pack contains 4x HR92WE	5025121382236

Installation HR92

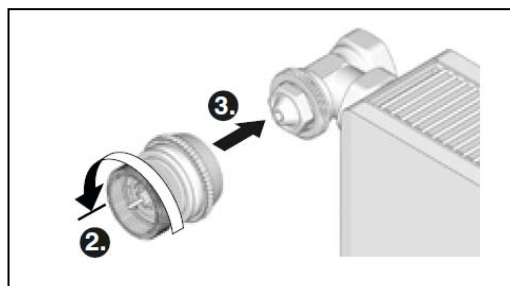
1. -Insert Batteries
 2x 1,5V Typ: LR6, AA,AM3
 -Set language
 -BIND HR92 with room controller if not yet bound



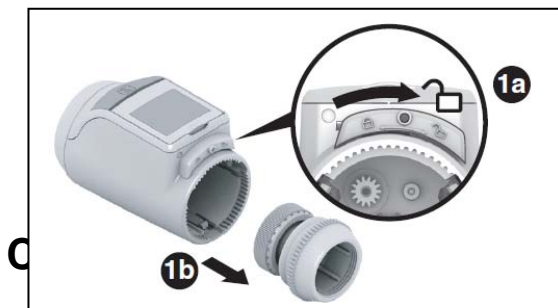
2. Remove Thermostat



4. Put the Valve baseplate on the valve use adaptor if necessary



3. Remove valve baseplate



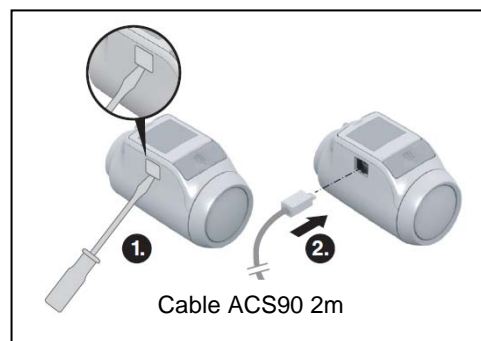
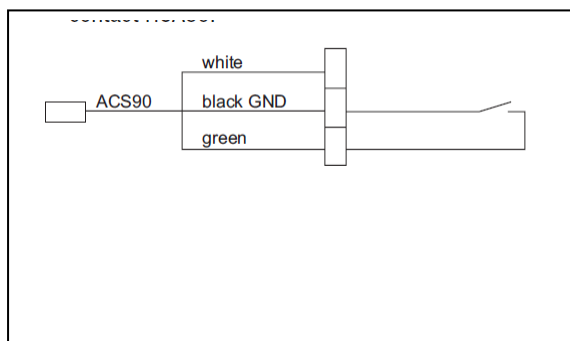
5. Connect the valve baseplate with the controller



Finished!

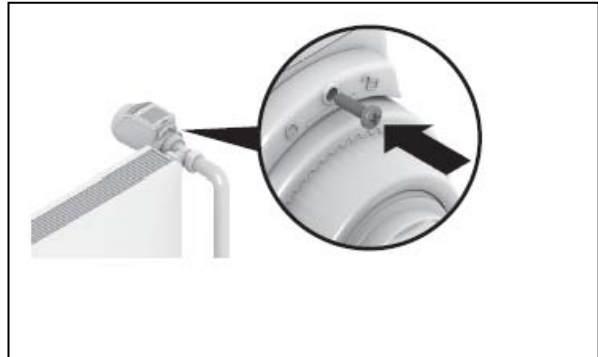
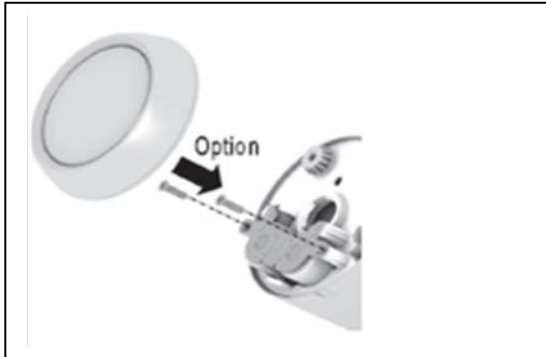
HR92 with wired external Window contact HCA30

Wiring diagram cable ACS90 with window contact HCA30



Options

The radiator controller and the batteries can be secured against stealing by using the supplied screws



The white front cap can be replaced with chromed cap



The display can be fixed with display holder (angle 40°)



Note: For the various HR92 OS numbers same data are applied

Honeywell Control Systems
Newhouse Industrial Estate
Motherwell ML1 5SB
United Kingdom