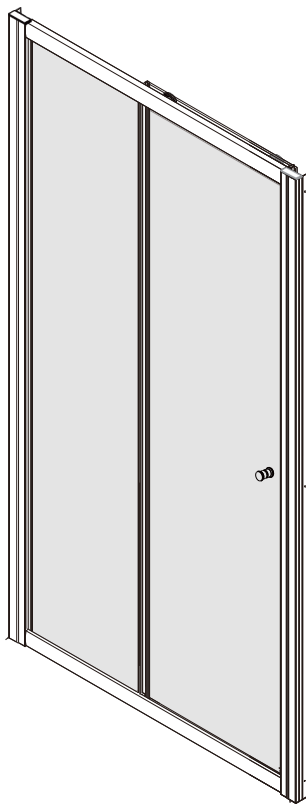
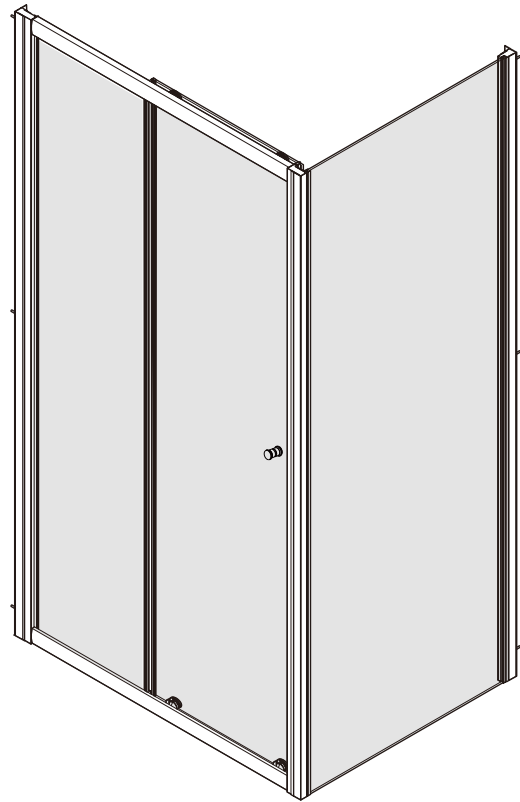


4SLDSHWDR1000
4SLDSHWDR1200



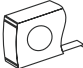


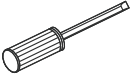
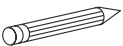
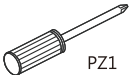

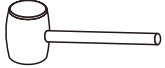


4SIDEPAN760
4SIDEPAN800




General Information

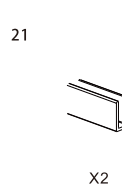
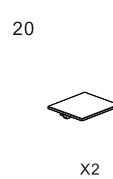
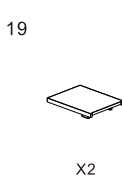
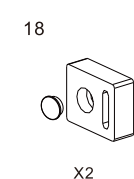
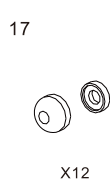
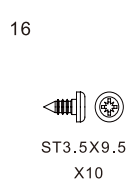
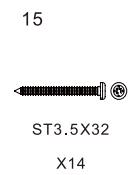
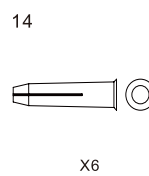
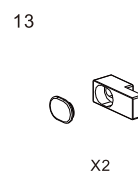
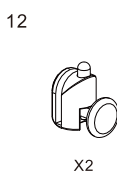
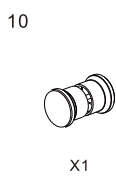
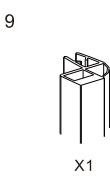
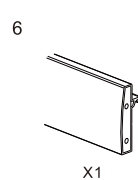
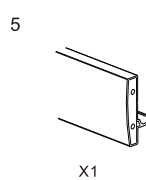
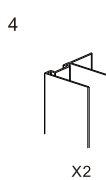
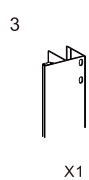
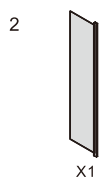
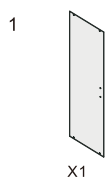
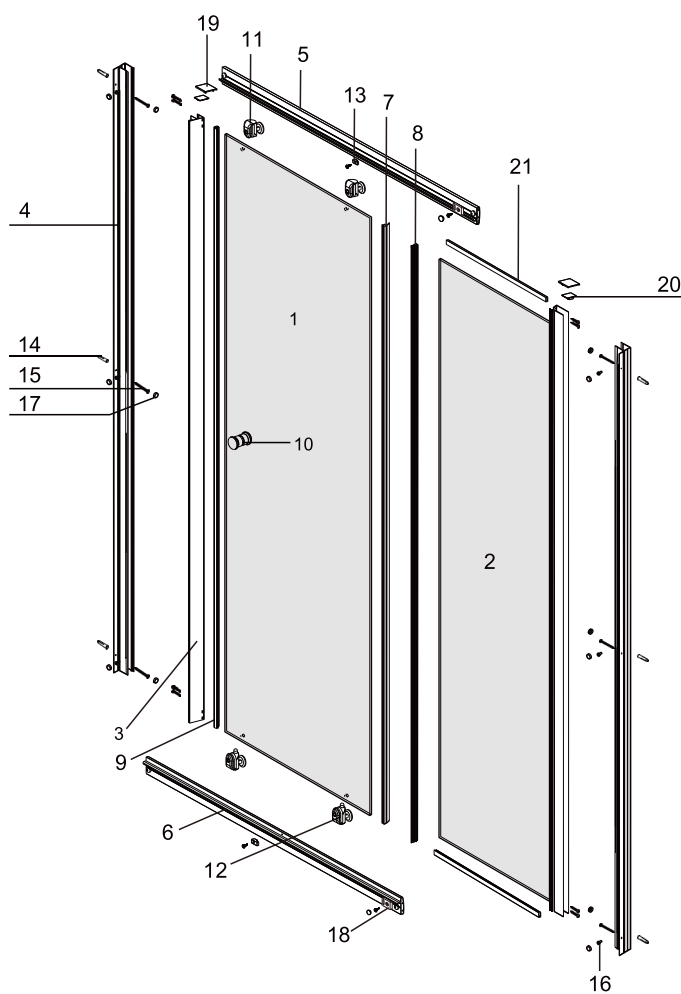
Please inspect this product upon delivery. Any missing parts or manufacturing defects must be reported immediately to the supplier. Damage or defects reported later will not be accepted. TAKE CARE WHEN HANDLING GLASS PARTS-AVOID HEAVY CONTACT BETWEEN THE GLASS EDGES AND ANY HARD SURFACE. Glass breakage claims will not be accepted after the product has been unpacked.

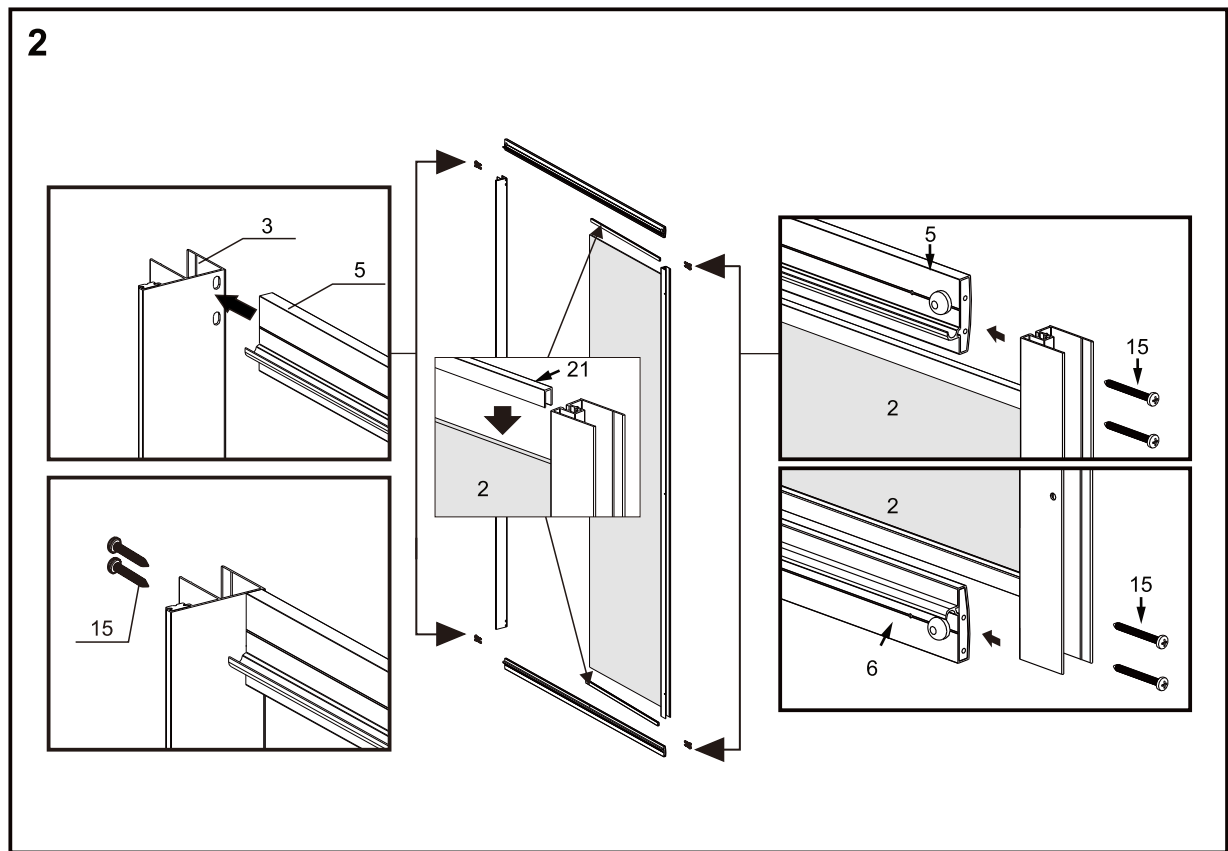
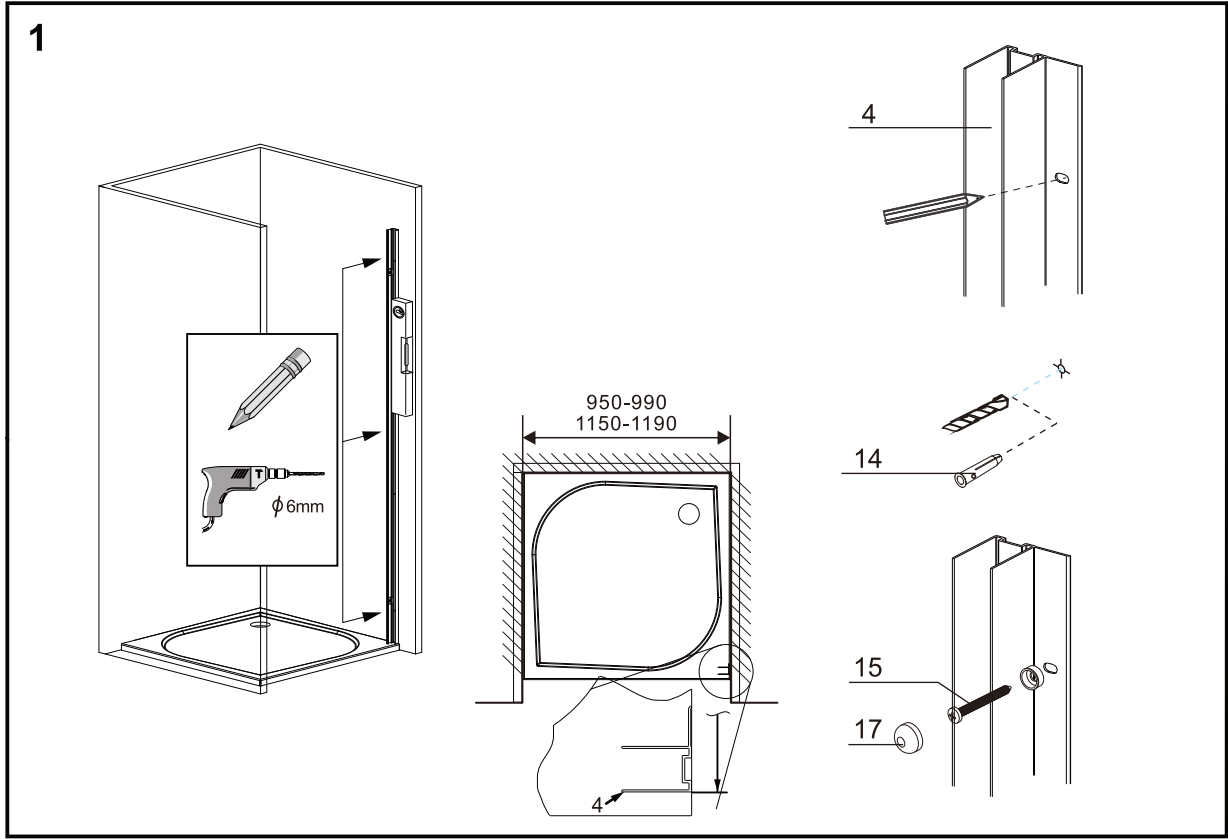
TOOLS REQUIRED

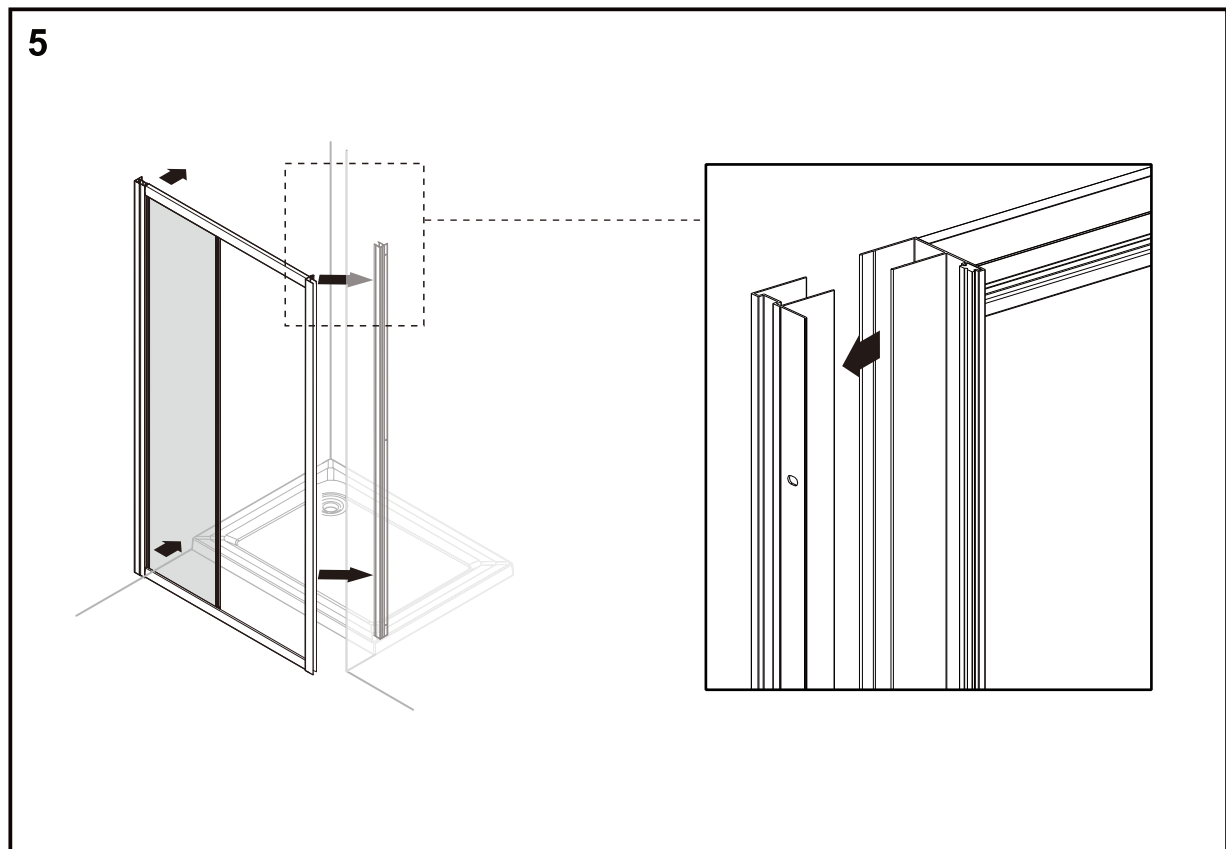
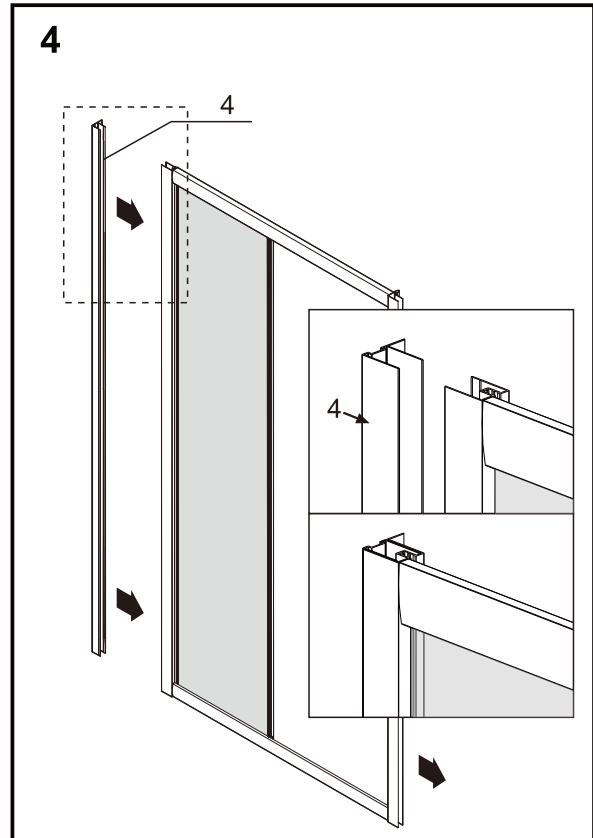
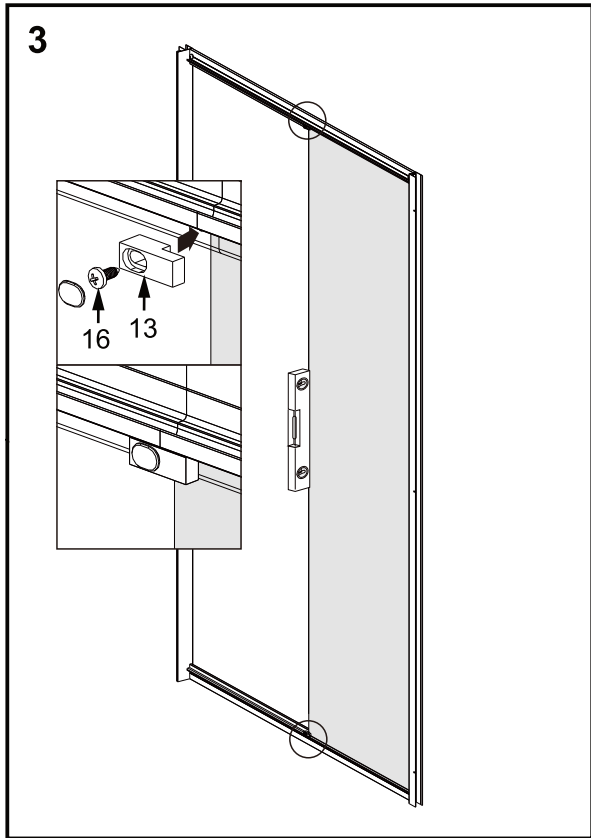
DESCRIPTION	PART IMAGE	DESCRIPTION	PART IMAGE
Tape measure		Drill	
Spirit level		Flat-head Screwdriver	
Pencil		Cross head Screwdriver	 PZ1
Ø6mm Drill bit		Mallet	
Ø3mm Drill bit		Silicone Sealant	

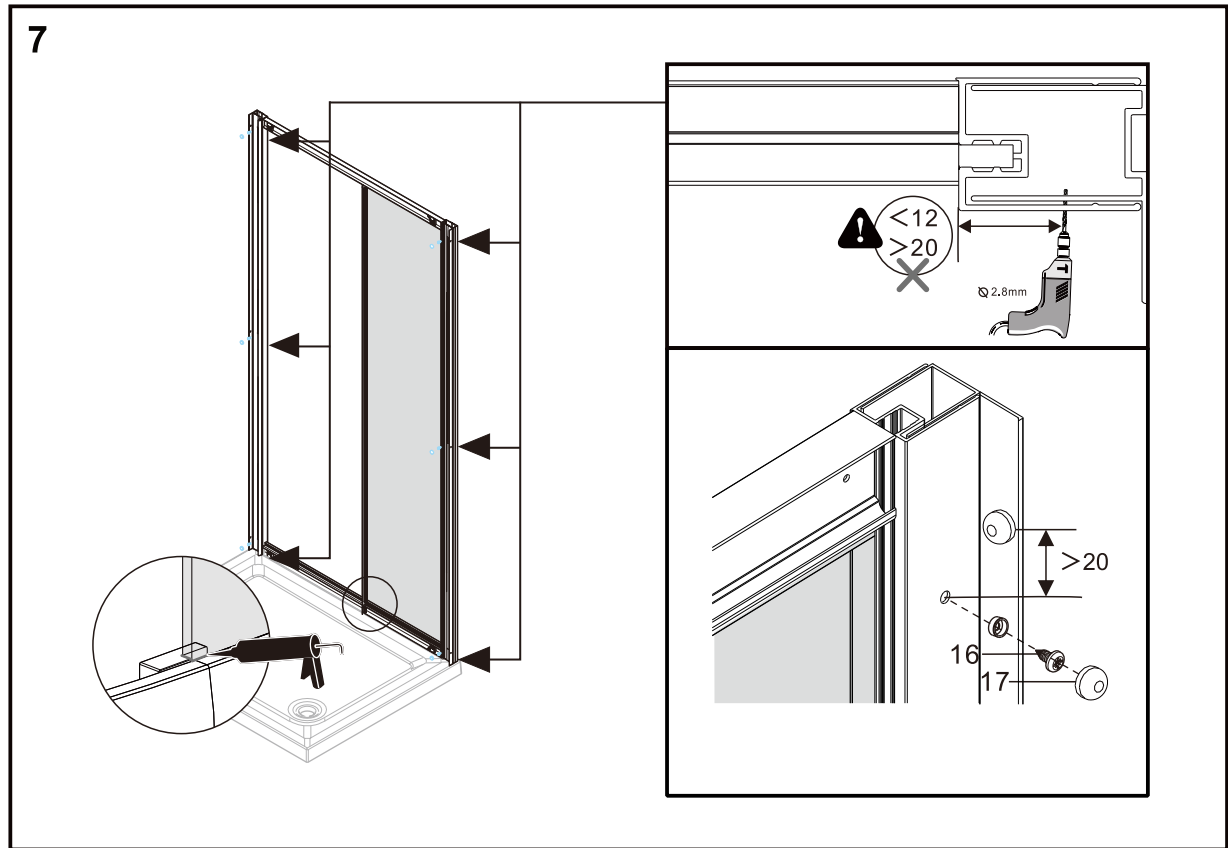
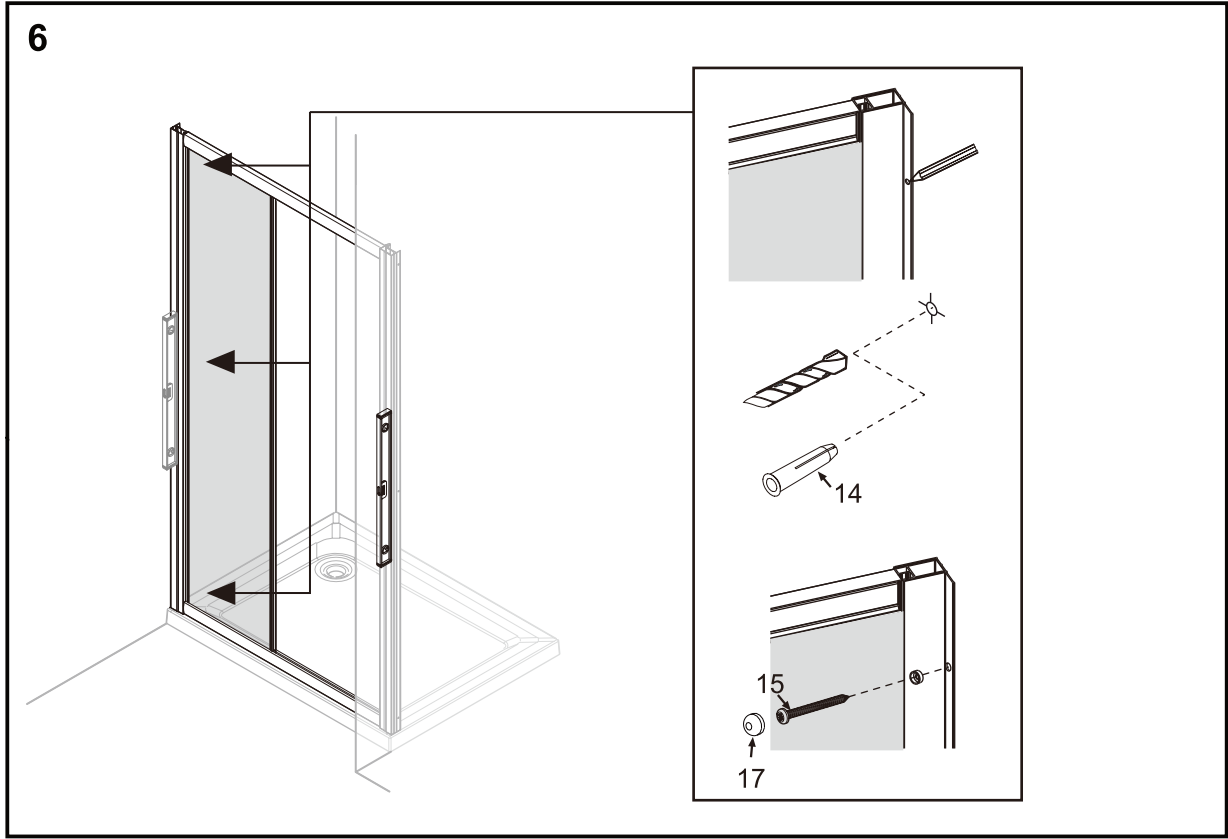
 This product is heavy and may require two people to install.

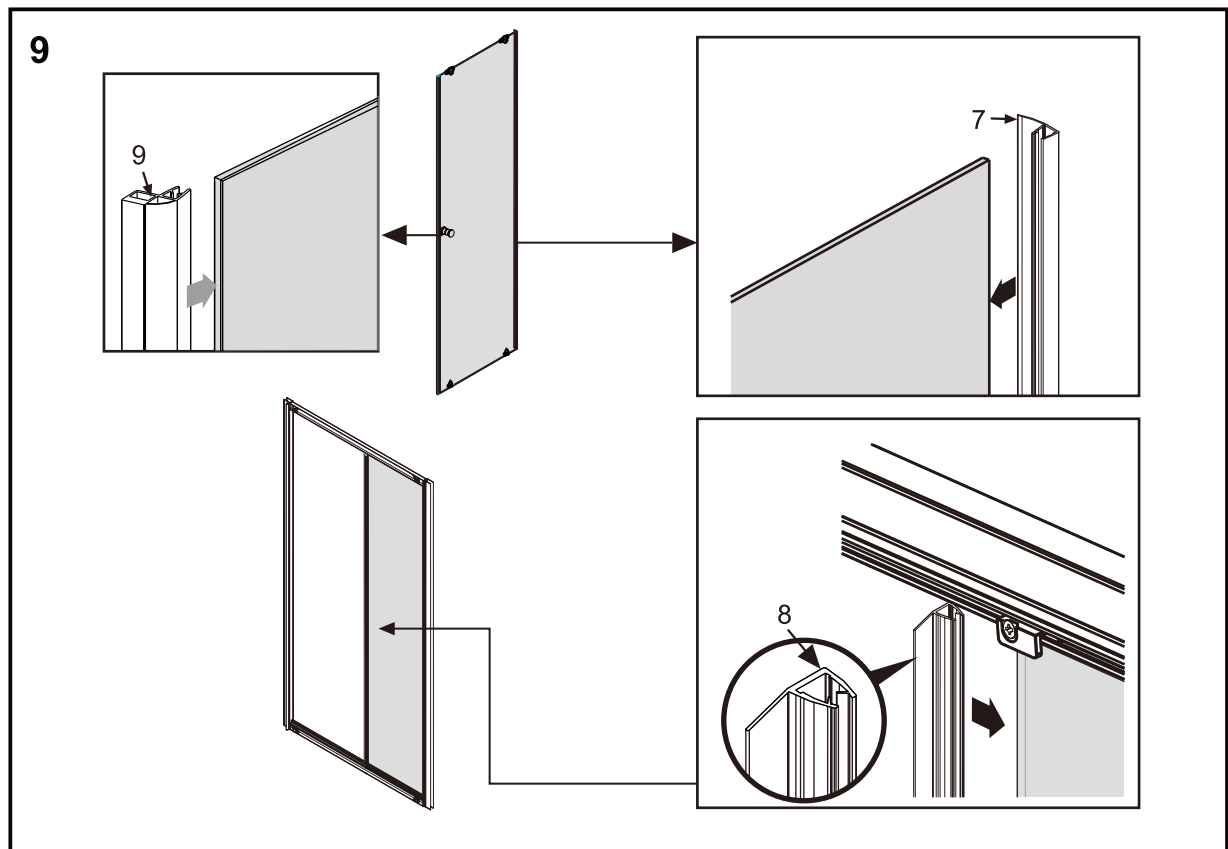
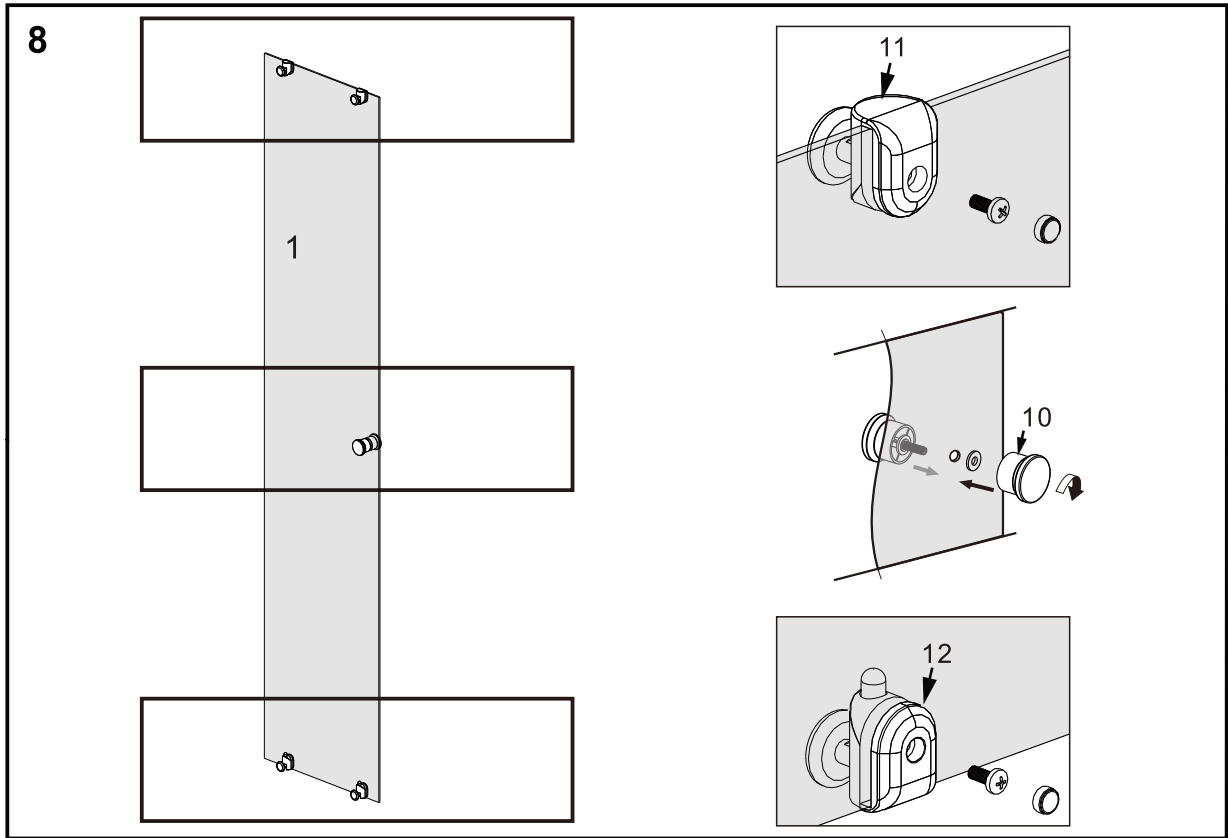
Pivot door

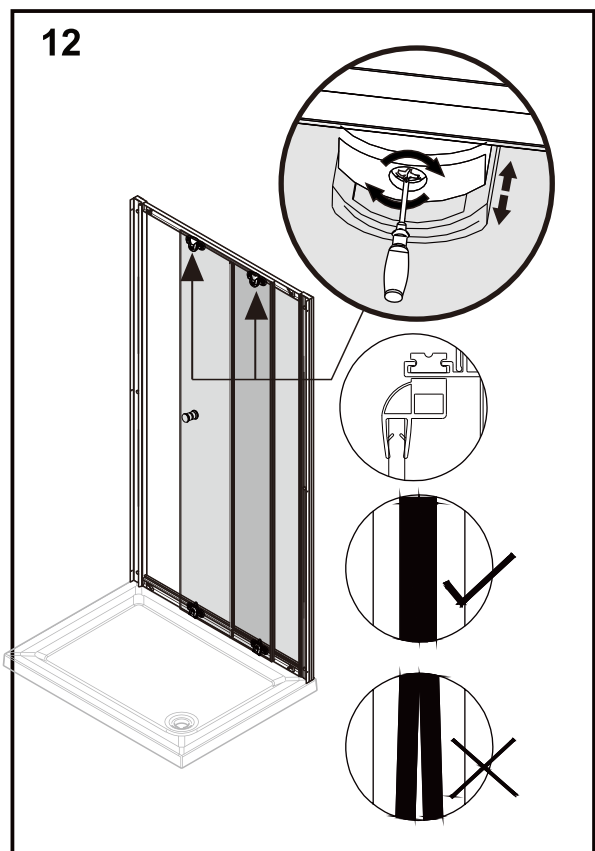
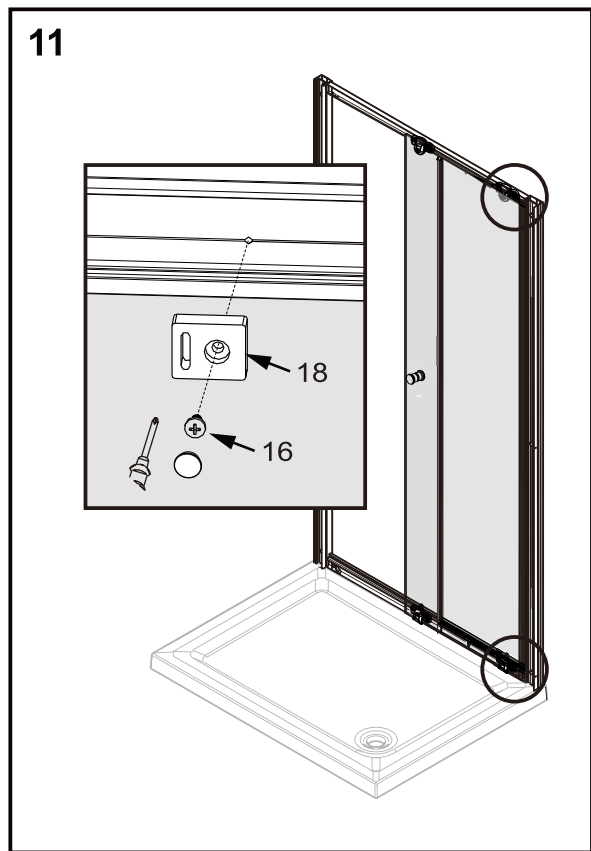
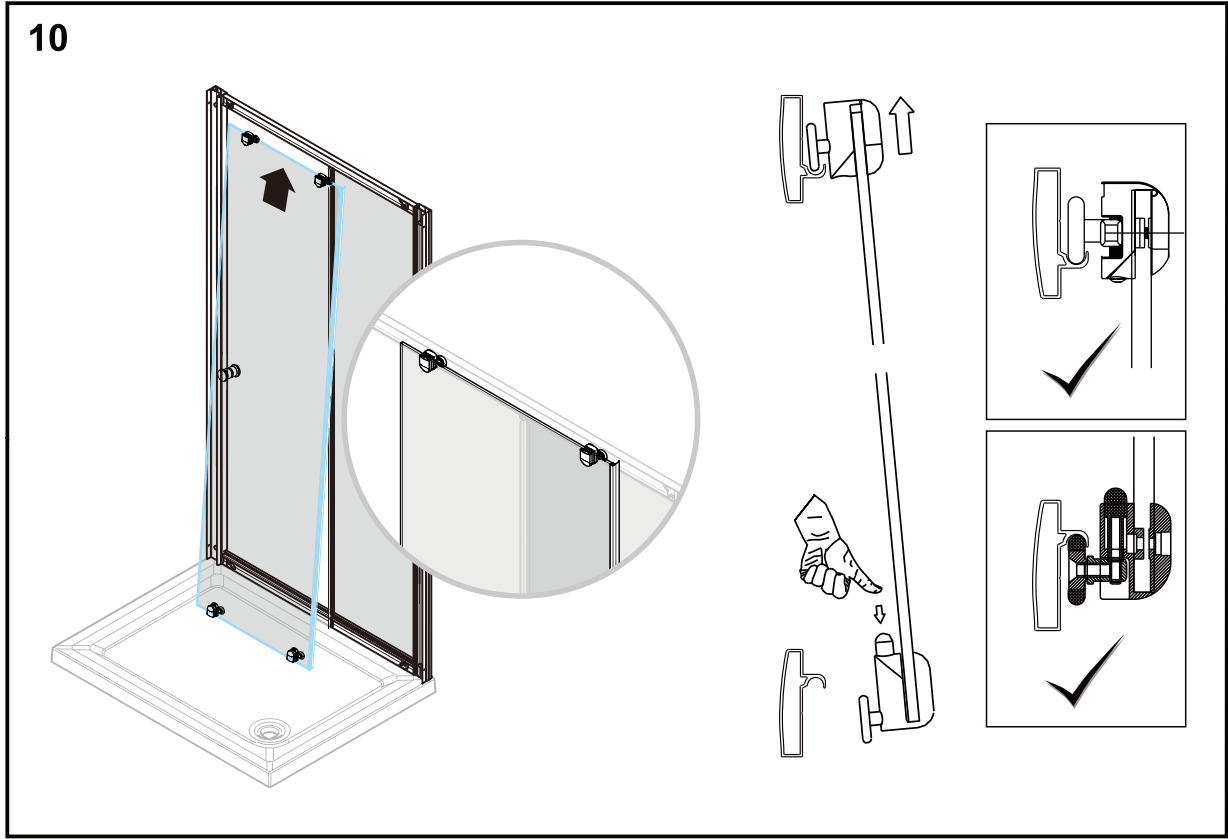




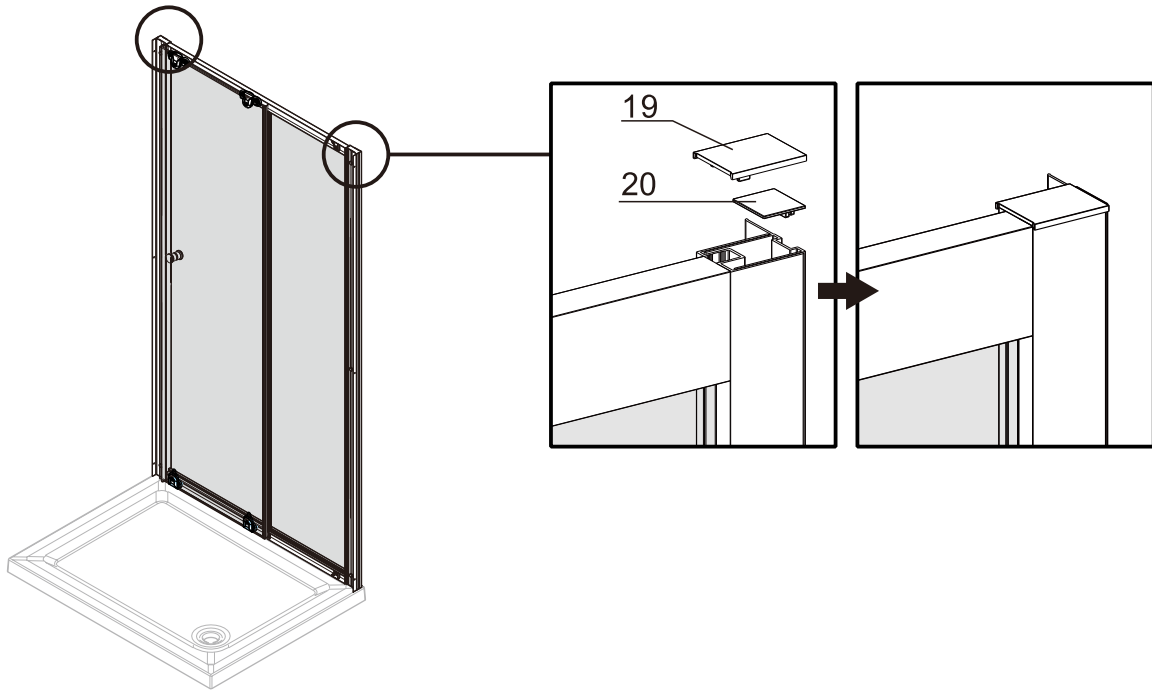




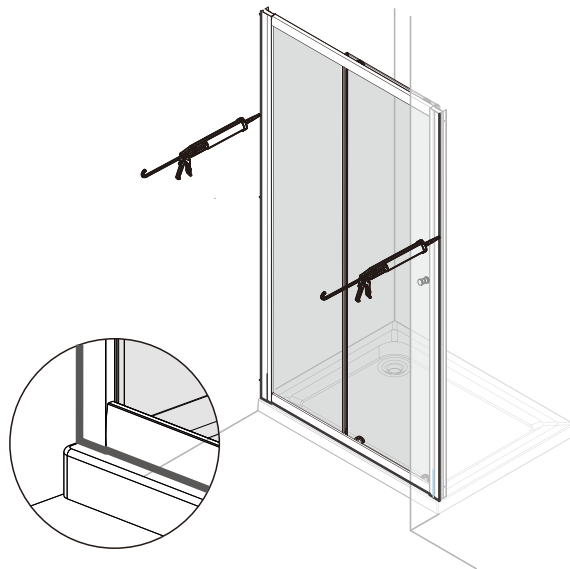




13



14

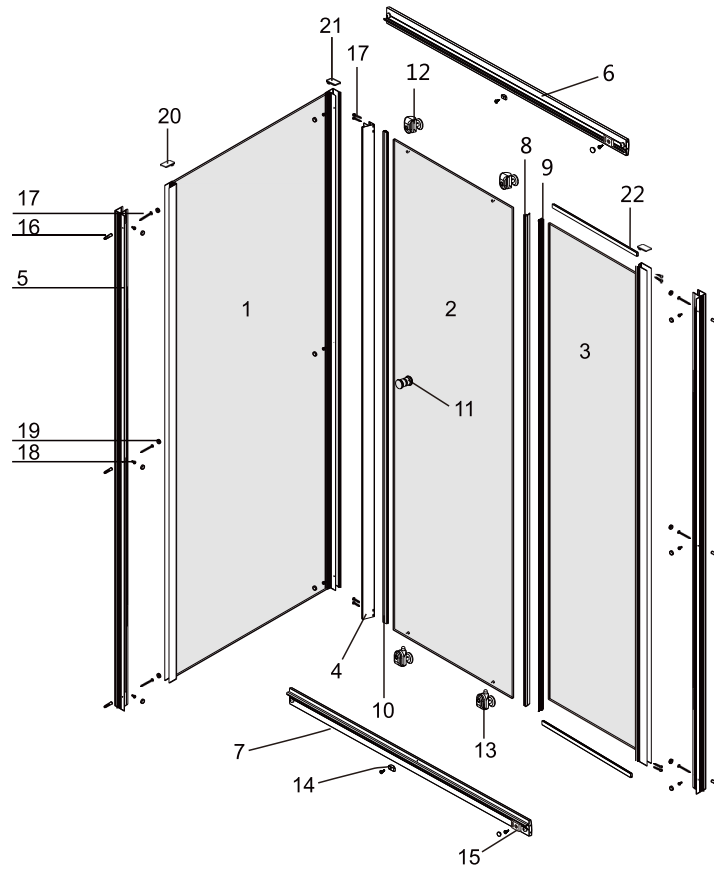


Allow 24 hours for silicone to dry before use. Silicone on the outside edge only, NOT THE INSIDE

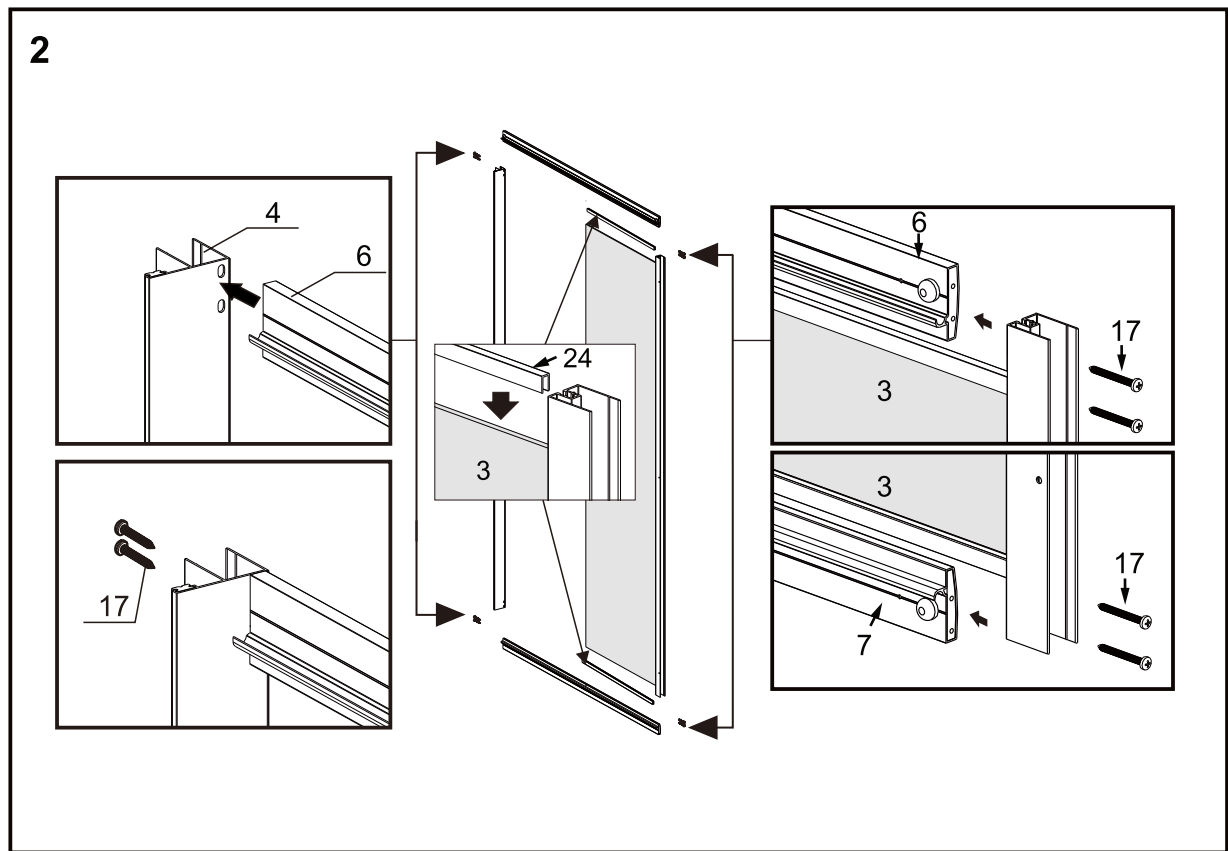
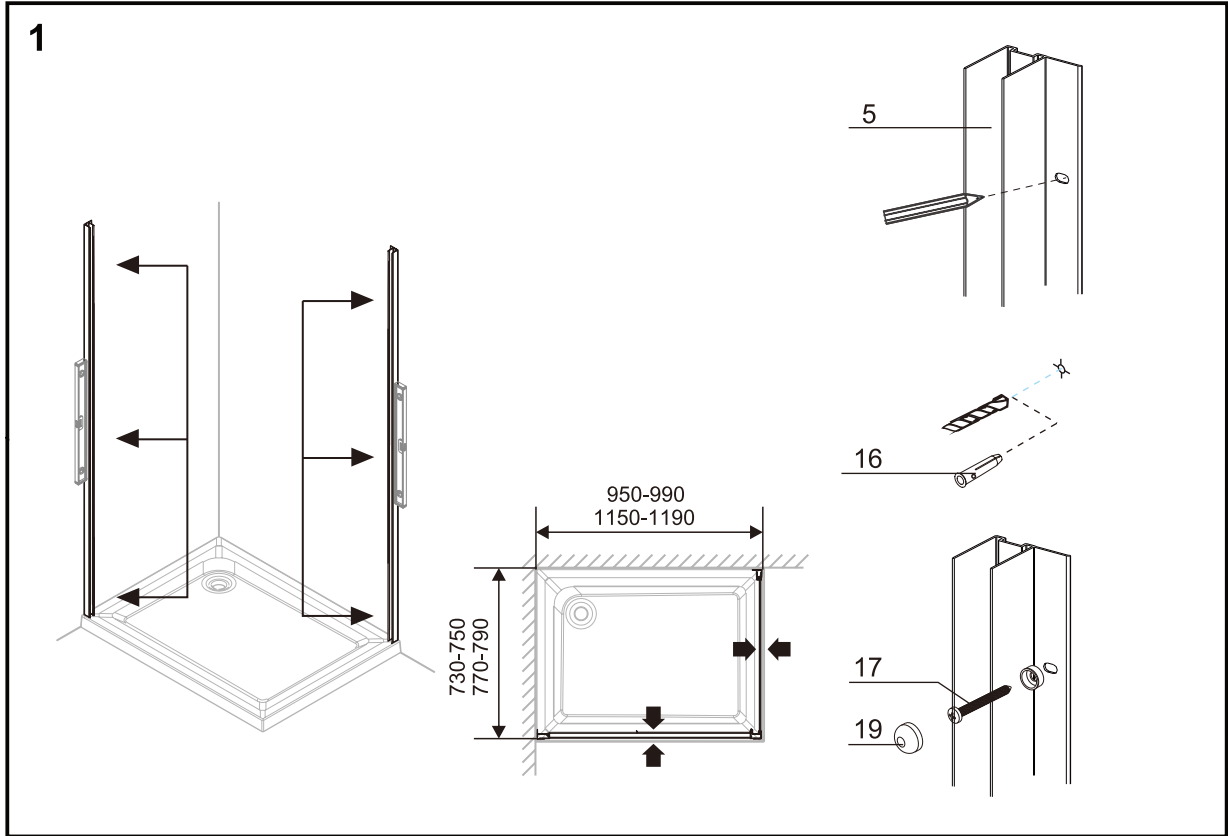
Aftercare instructions

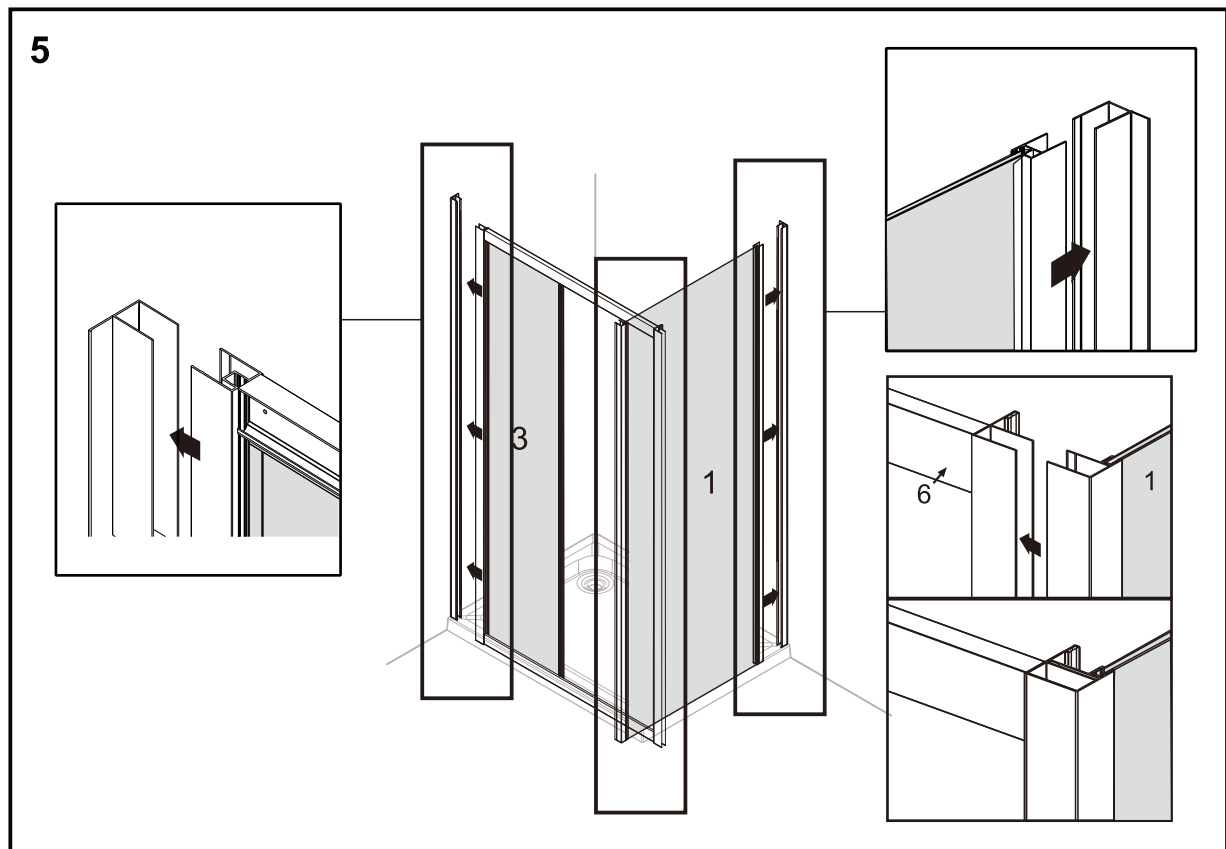
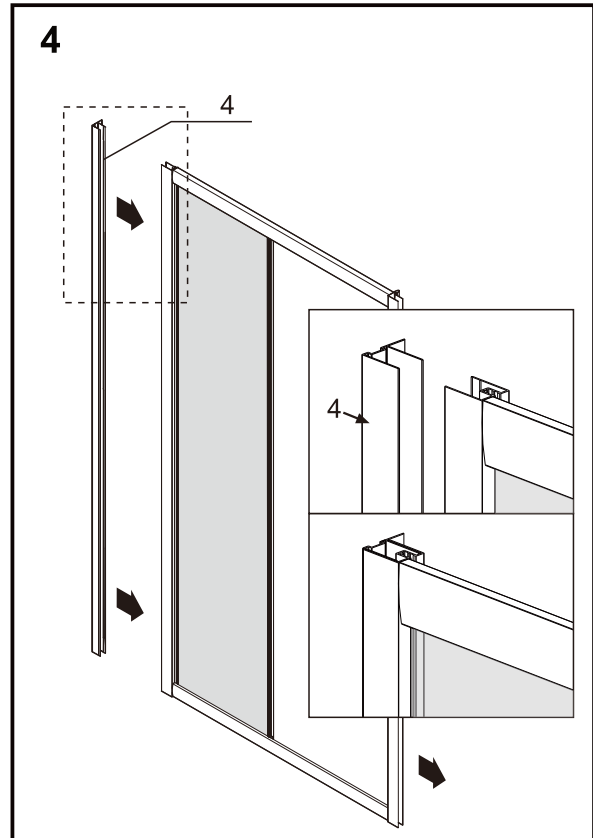
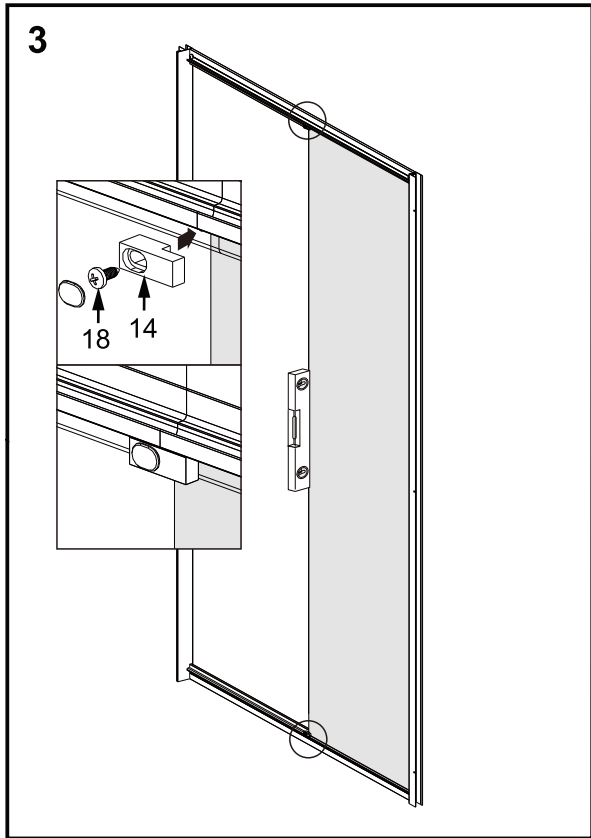
Regularly clean your shower product with warm soapy water to prevent lime scale build up. DO NOT use abrasive cleaning fluids or materials, or strong chemical cleaners as this will damage the product surface.

Side panel

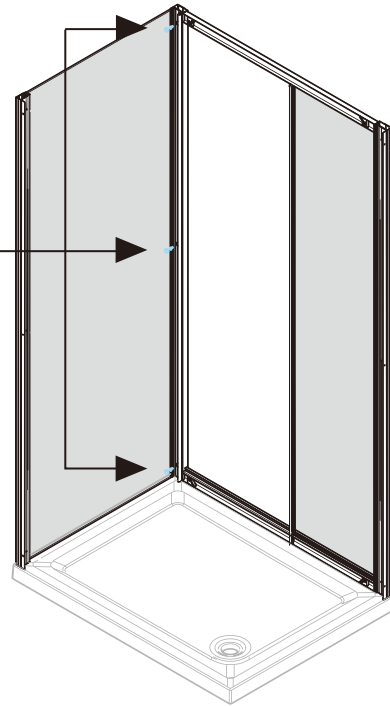
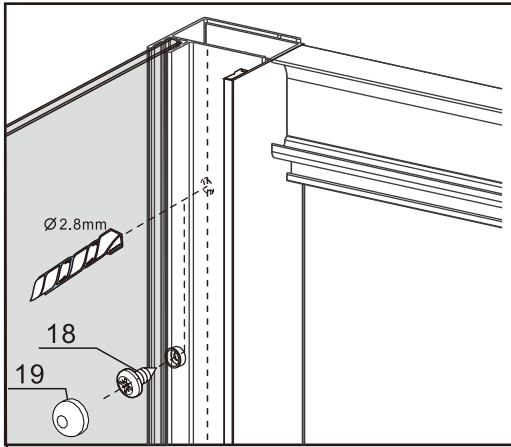


[1] X1	[2] X1	[3] X1	[4] X1	[5] X2	[6] X1	[7] X1	[8] X1
[9] X1	[10] X1	[11] X1	[12] X2	[13] X2	[14] X2	[15] X2	[16] X6
[17] ST3.5X32 X14	[18] ST3.5X9.5 X13	[19] X15	[20] X2	[21] X2	[22] X1 X1	[23] X1	[24] X2

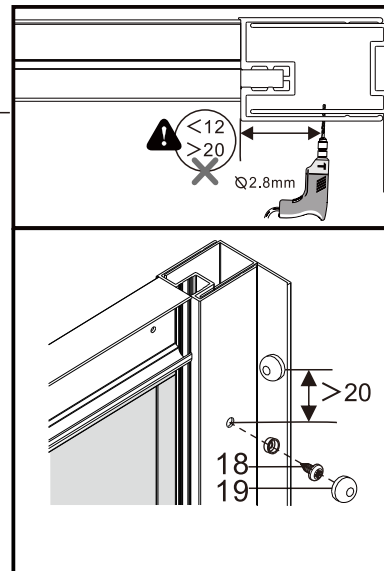
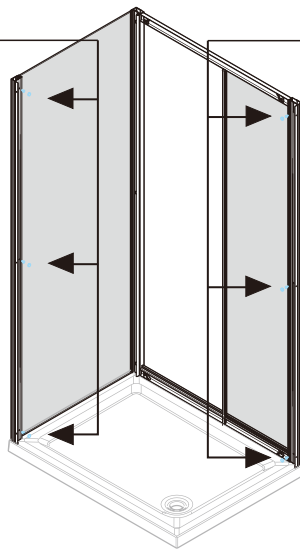
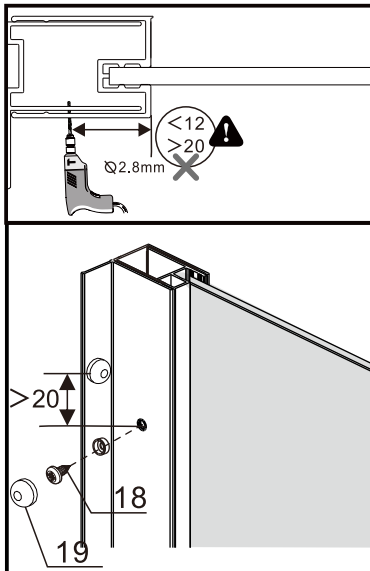


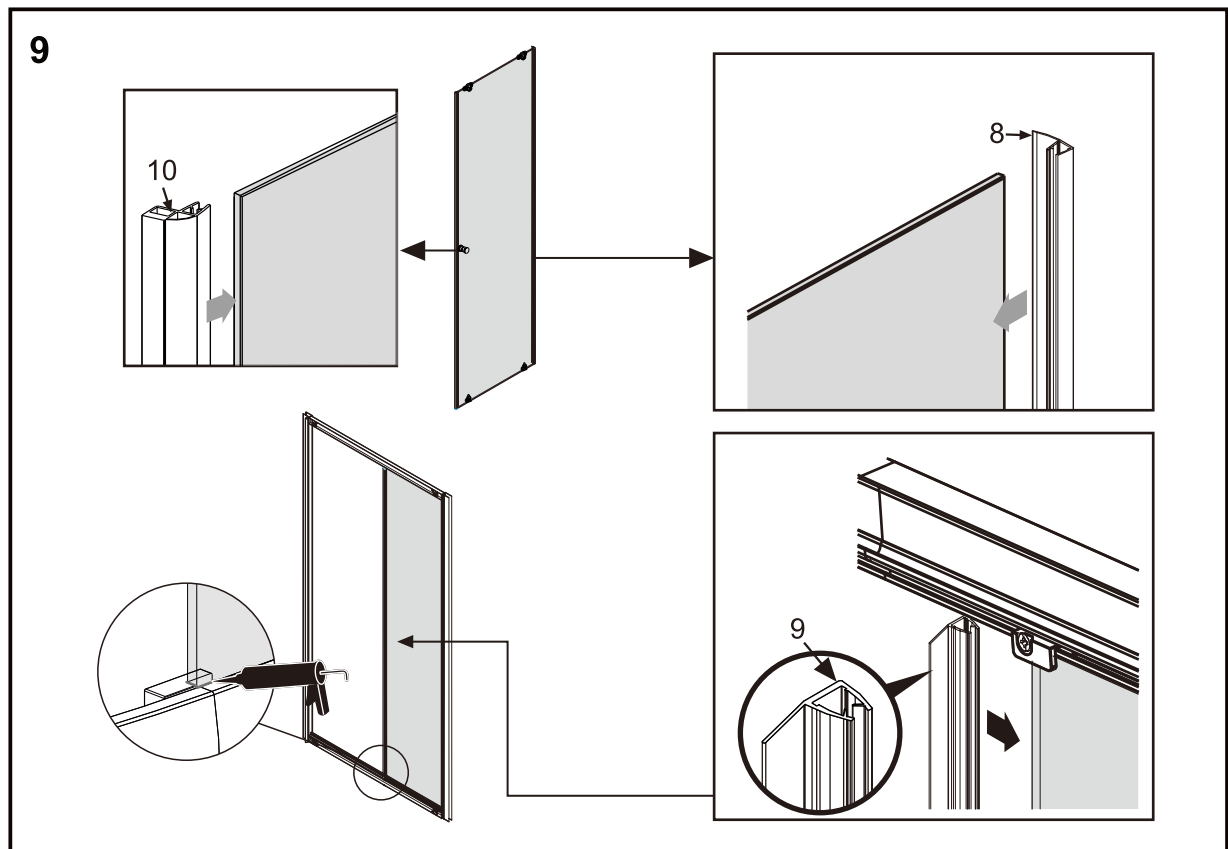
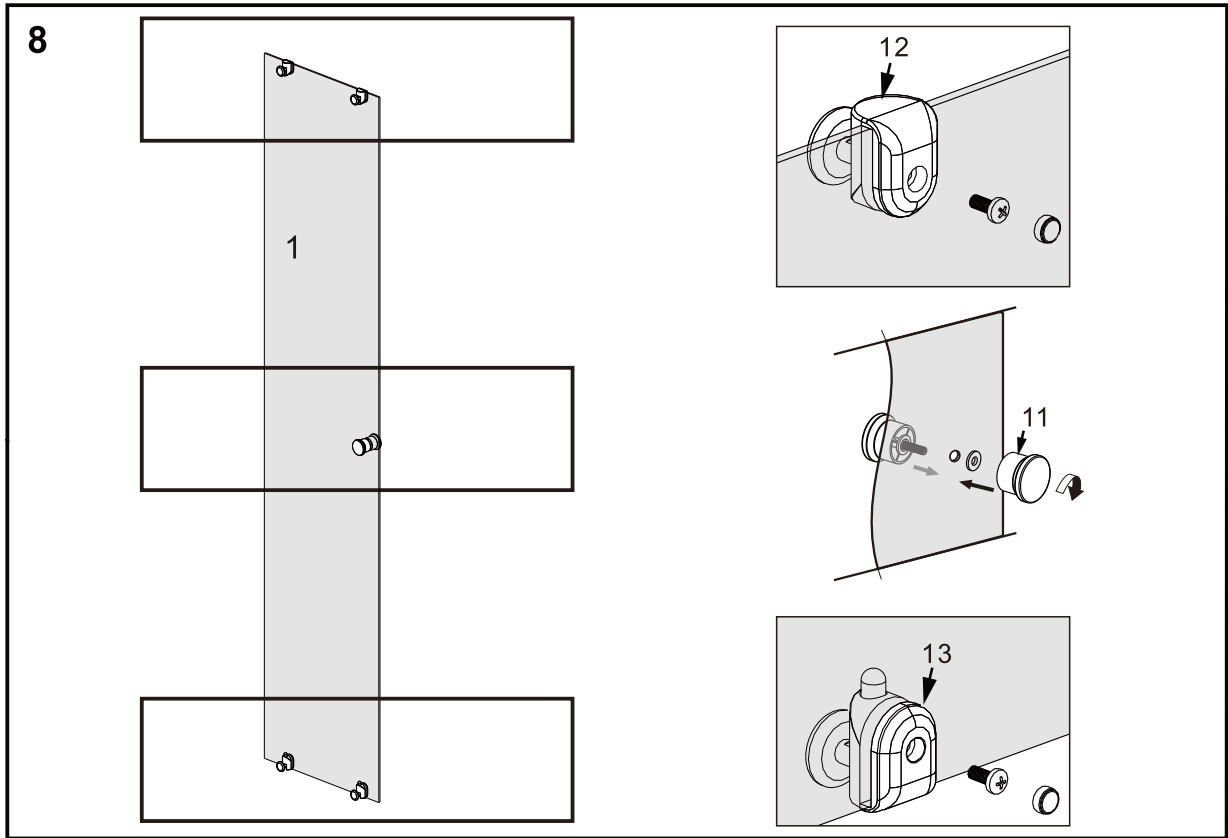


6

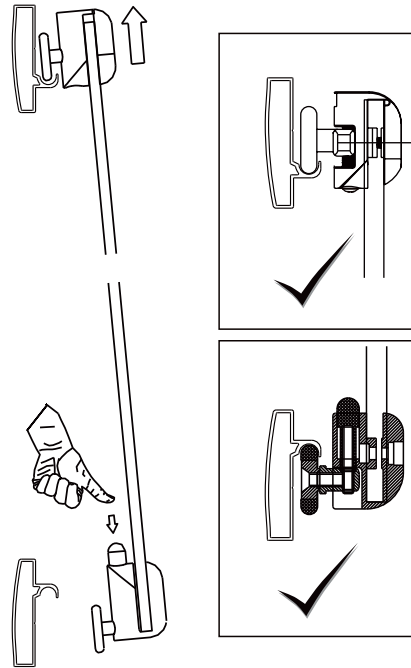
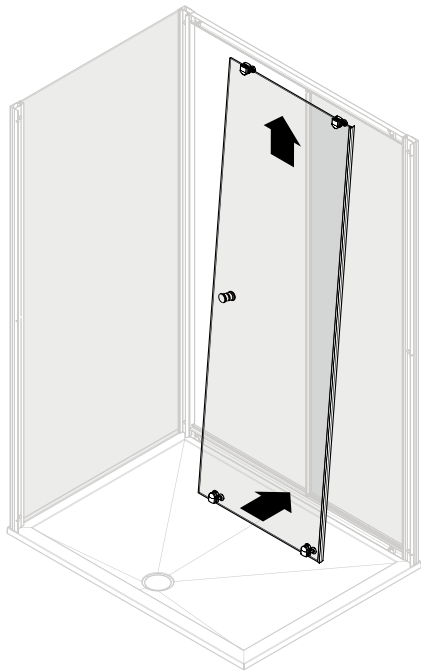


7

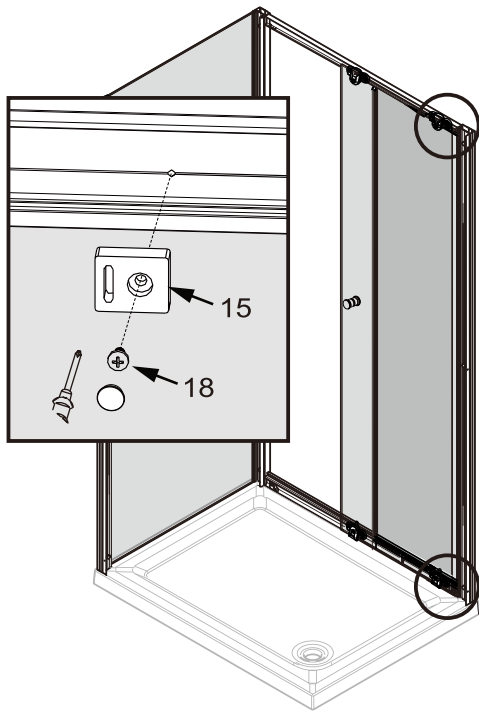




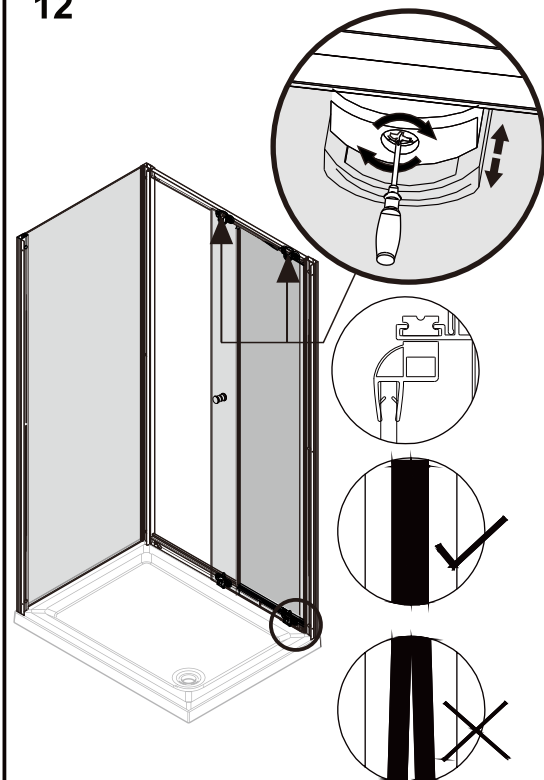
10



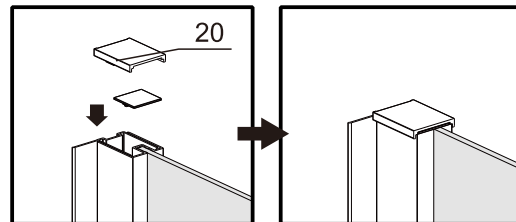
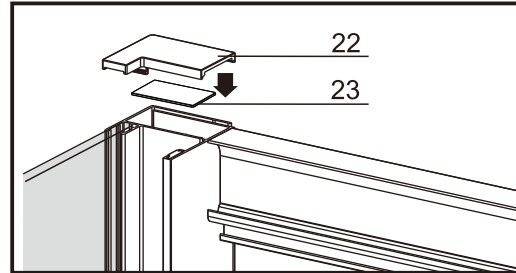
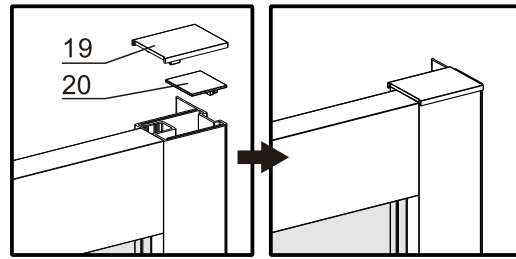
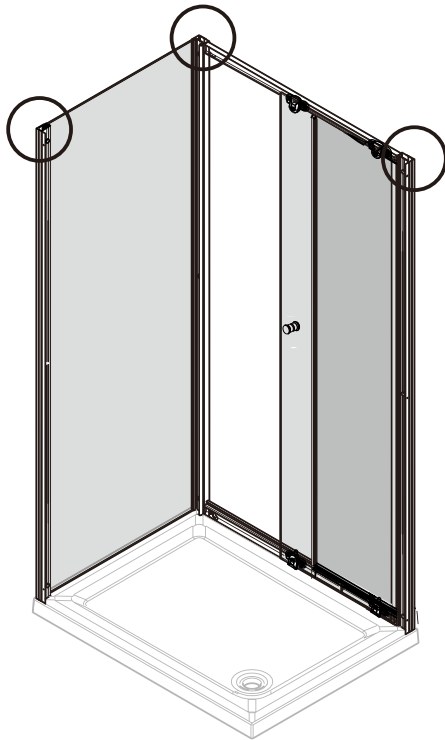
11



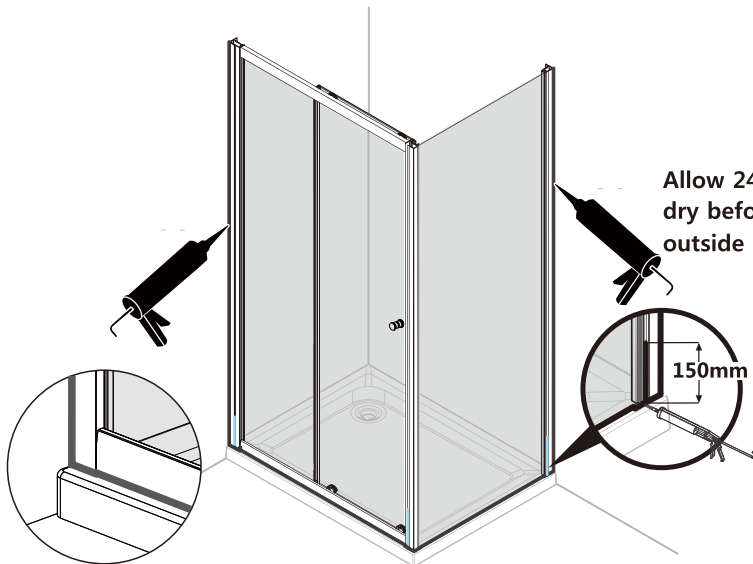
12



13



14



Allow 24 hours for silicone to dry before use. Silicone on the outside edge only, NOT THE INSIDE

Aftercare instructions

Regularly clean your shower product with warm soapy water to prevent lime scale build up. DO NOT use abrasive cleaning fluids or materials, or strong chemical cleaners as this will damage the product surface.

Check out our full range of Shower Enclosures

Quadrant Shower Enclosures

Corner Entry Shower Enclosures

Walk in Shower Enclosures

Sliding Shower Doors

Bifold Shower Doors

Pivot Shower Doors

Hinged Shower Doors

Shower Screens

From Top Brands

Coram Shower Enclosures

Mira Shower Enclosures

Hydrolux Shower Enclosures

Diamond Shower Enclosures

With quality shower trays to match your enclosure

Square Shower Trays

Rectangular Shower Trays

Quadrant Shower Trays

Coram Shower Trays

Mira Flight Shower Trays

plumbworld
Big brands, small prices.