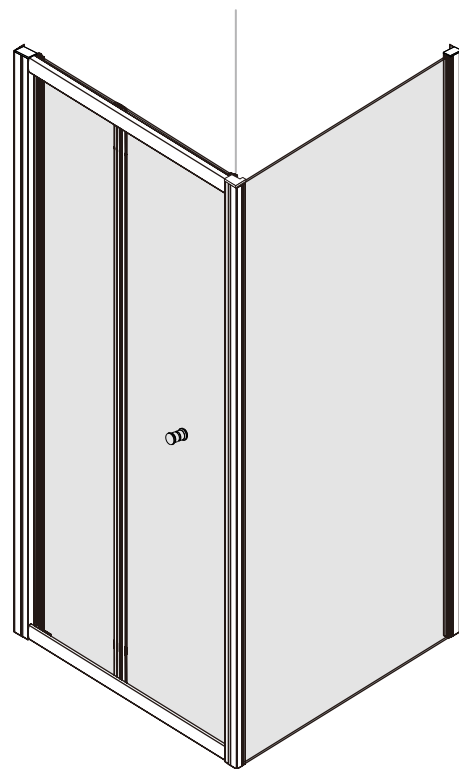
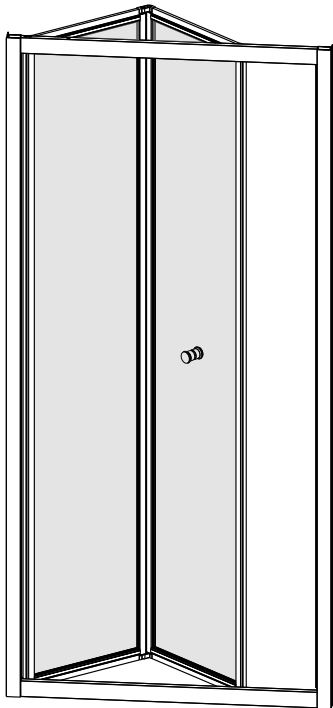


4BIFLD SHWDR760  
4BIFLD SHWDR800  
4BIFLD SHWDR900

4SIDE PAN760  
4SIDE PAN800

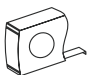


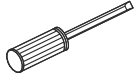
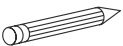
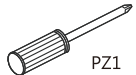

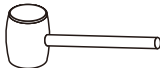





please note side panel is put in separate package

## General Information

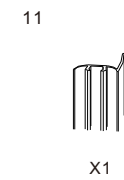
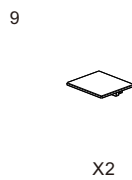
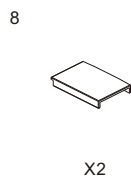
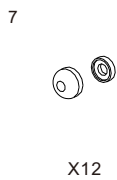
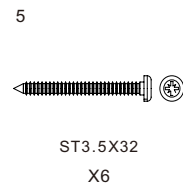
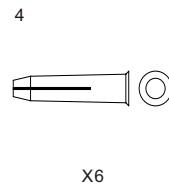
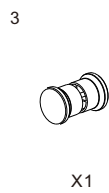
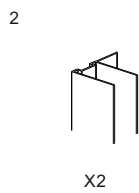
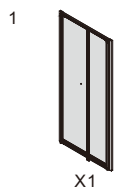
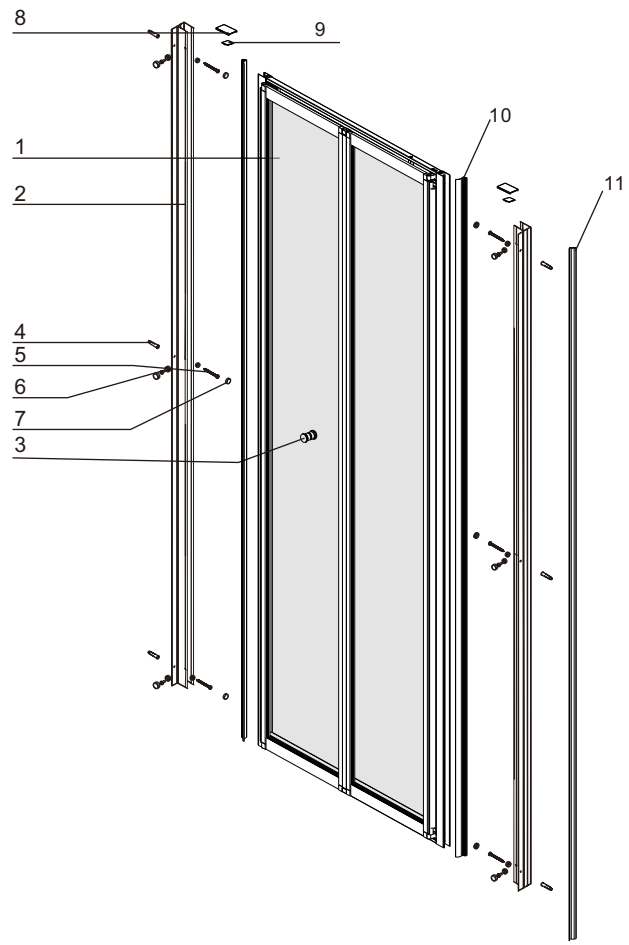
Please inspect this product upon delivery. Any missing parts or manufacturing defects must be reported immediately to the supplier. Damage or defects reported later will not be accepted. TAKE CARE WHEN HANDLING GLASS PARTS-AVOID HEAVY CONTACT BETWEEN THE GLASS EDGES AND ANY HARD SURFACE. Glass breakage claims will not be accepted after the product has been unpacked.

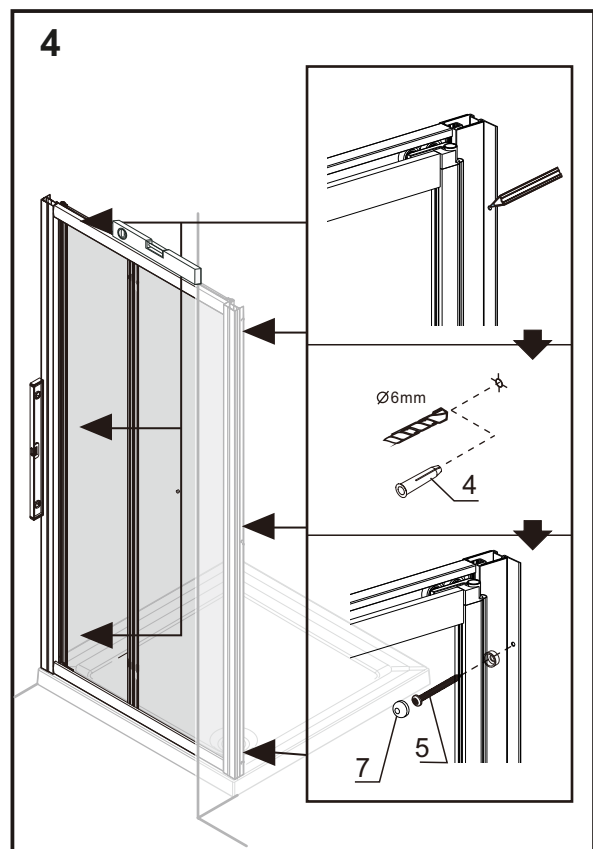
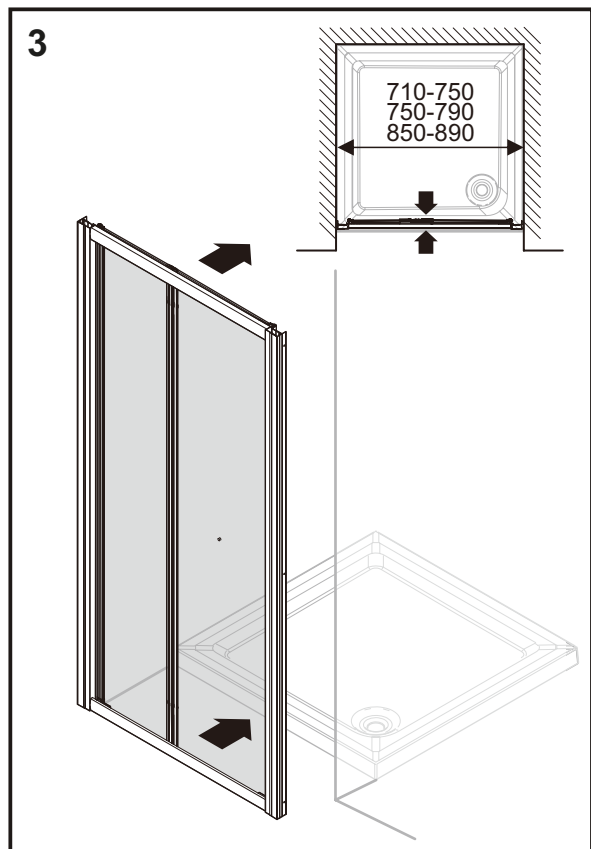
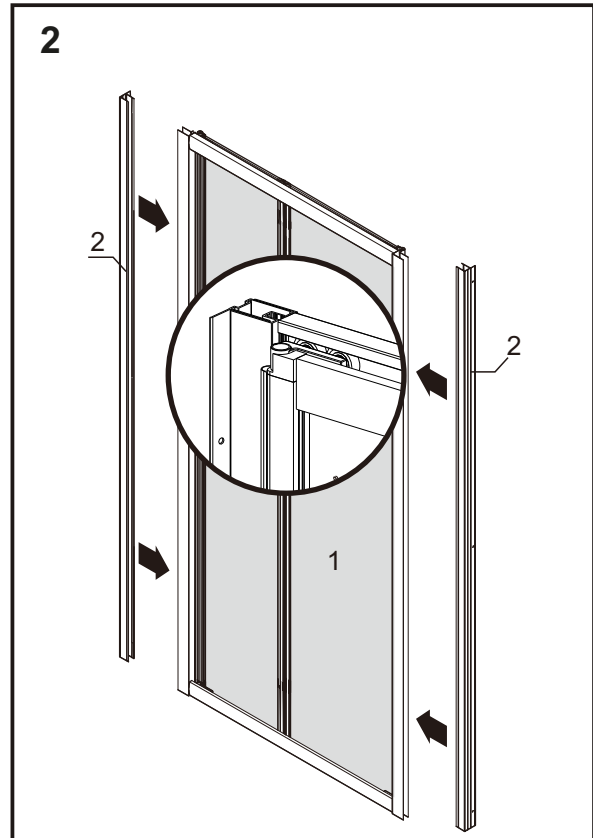
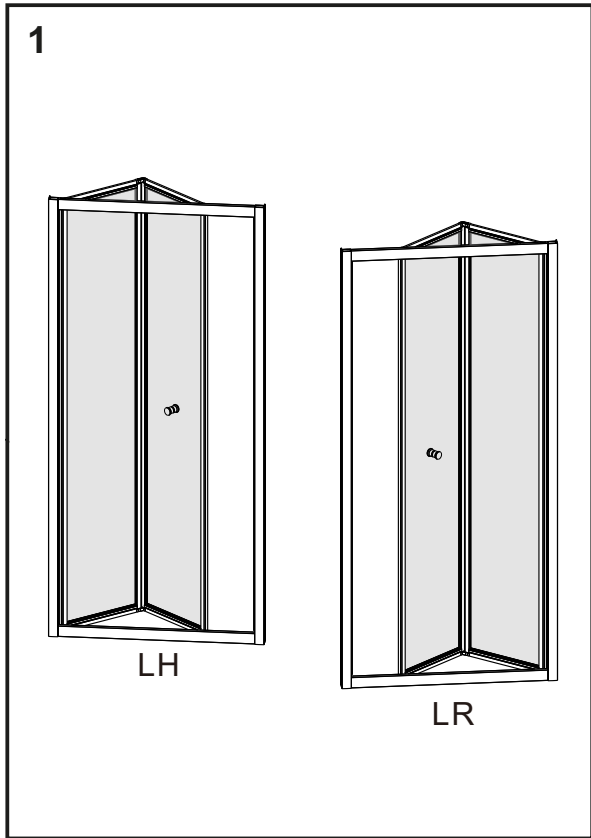
## TOOLS REQUIRED

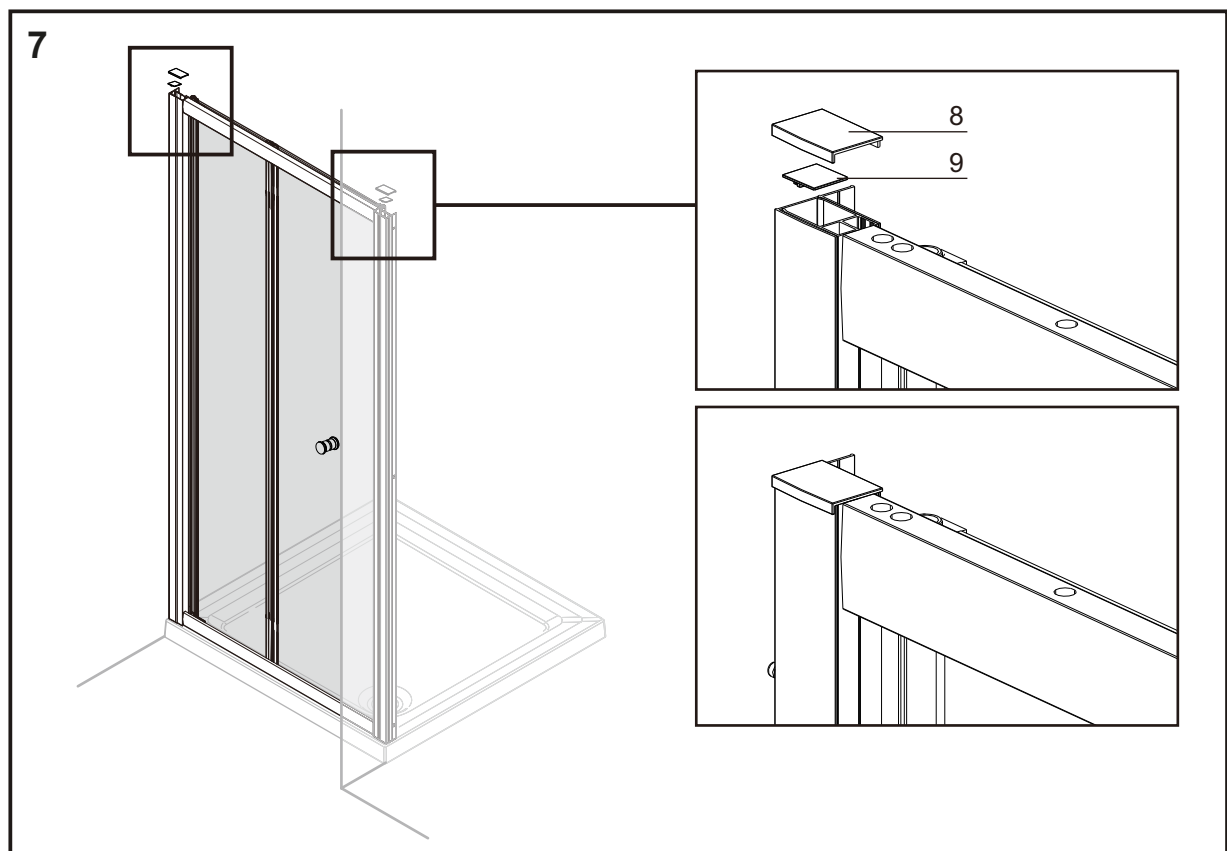
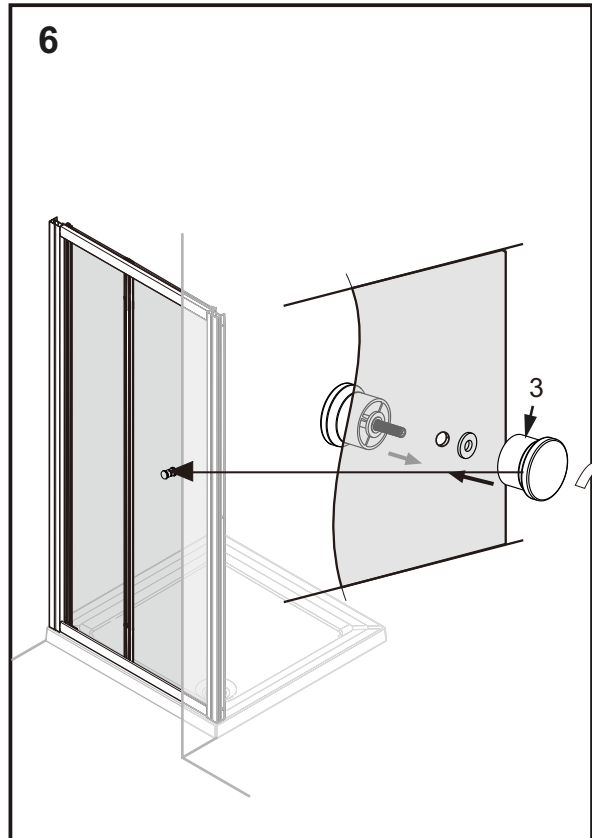
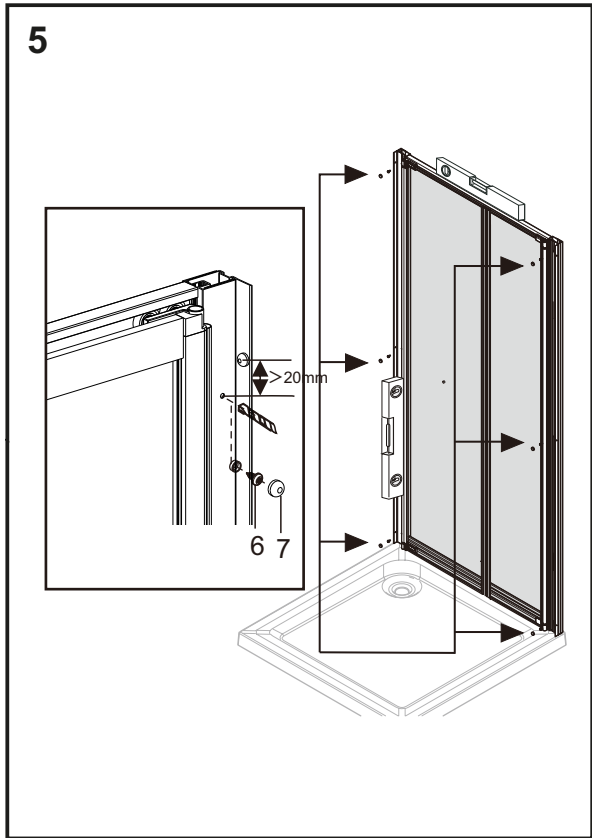
DESCRIPTION	PART IMAGE	DESCRIPTION	PART IMAGE
Tape measure		Drill	
Spirit level		Flat-head Screwdriver	
Pencil		Cross head Screwdriver	 PZ1
Ø6mm Drill bit		Mallet	
Ø2.8mm Drill bit		Silicone Sealant	

 This product is heavy and may require two people to install.

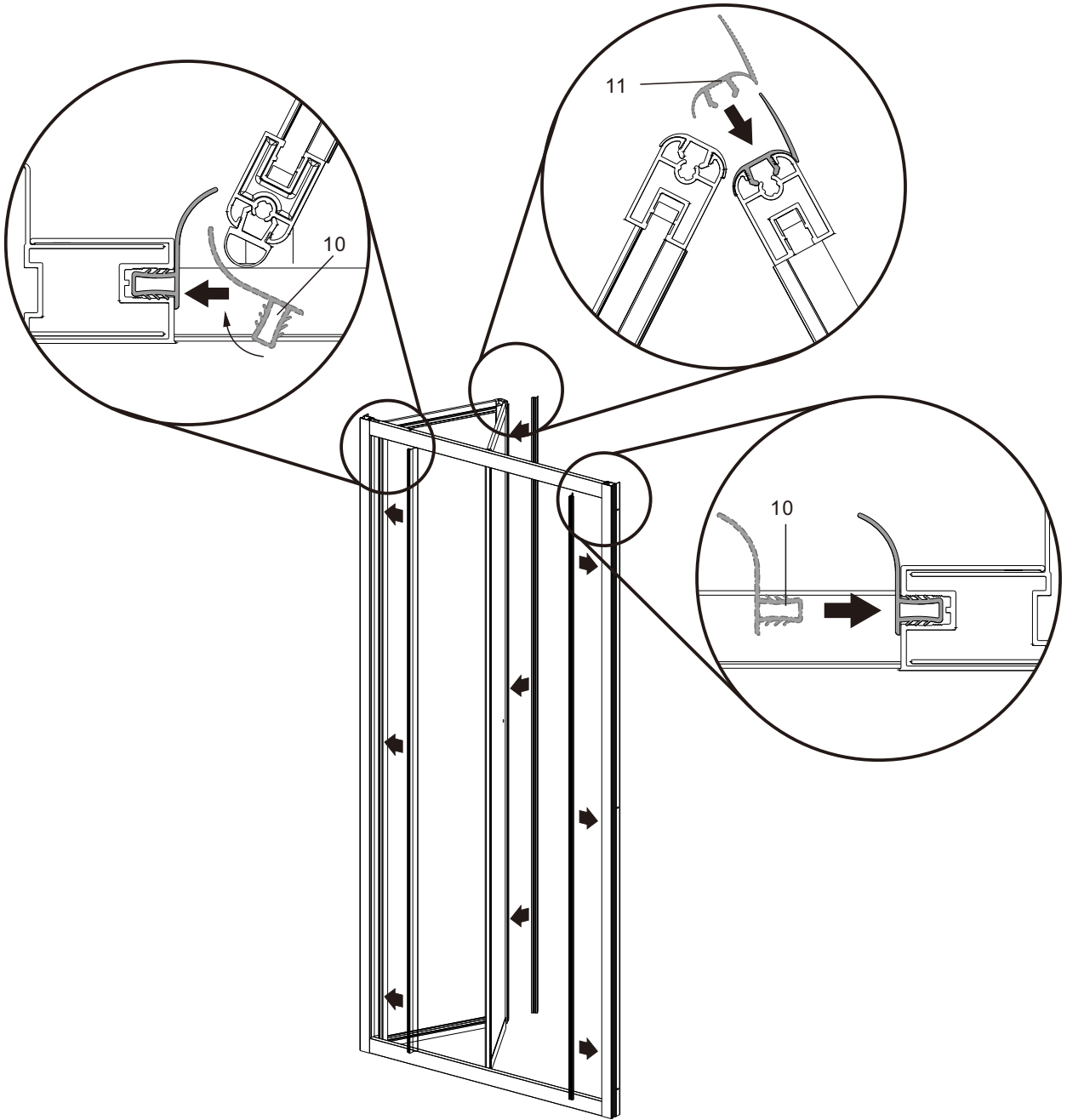
# Bi-fold door



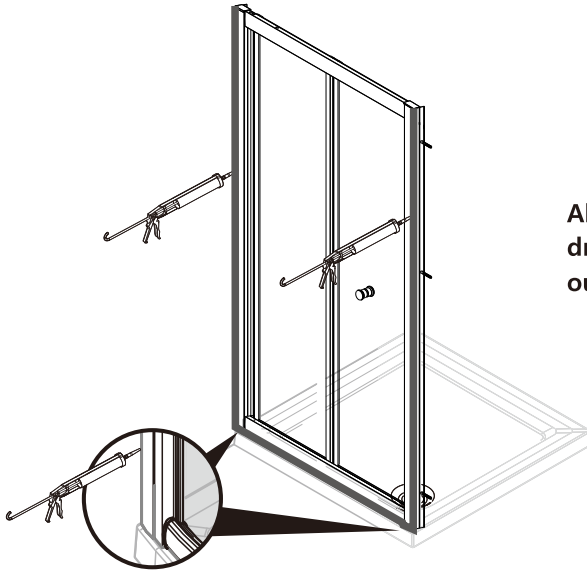




8



9

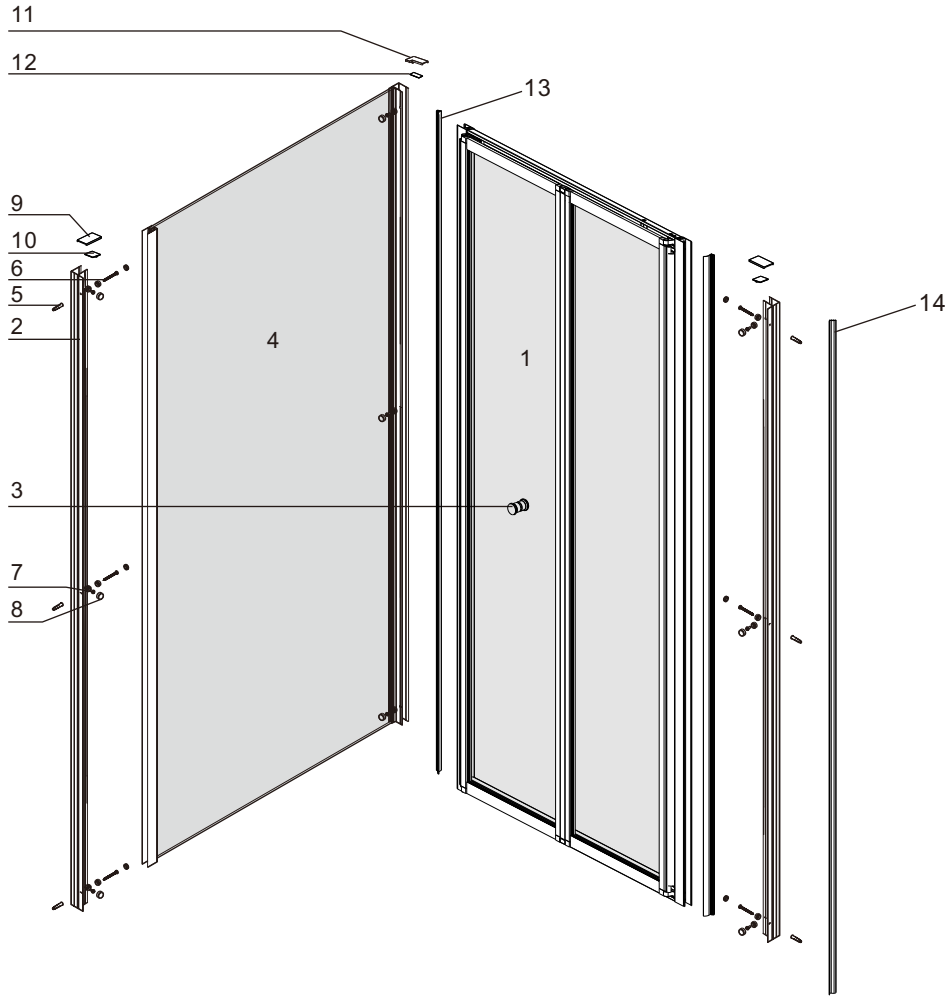




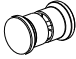

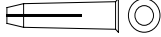

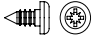



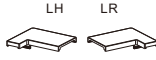


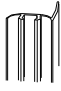
Allow 24 hours for silicone to dry before use. Silicone on the outside edge only, NOT THE INSIDE

**Aftercare instructions**

Regularly clean your shower product with warm soapy water to prevent lime scale build up. DO NOT use abrasive cleaning fluids or materials, or strong chemical cleaners as this will damage the product surface.

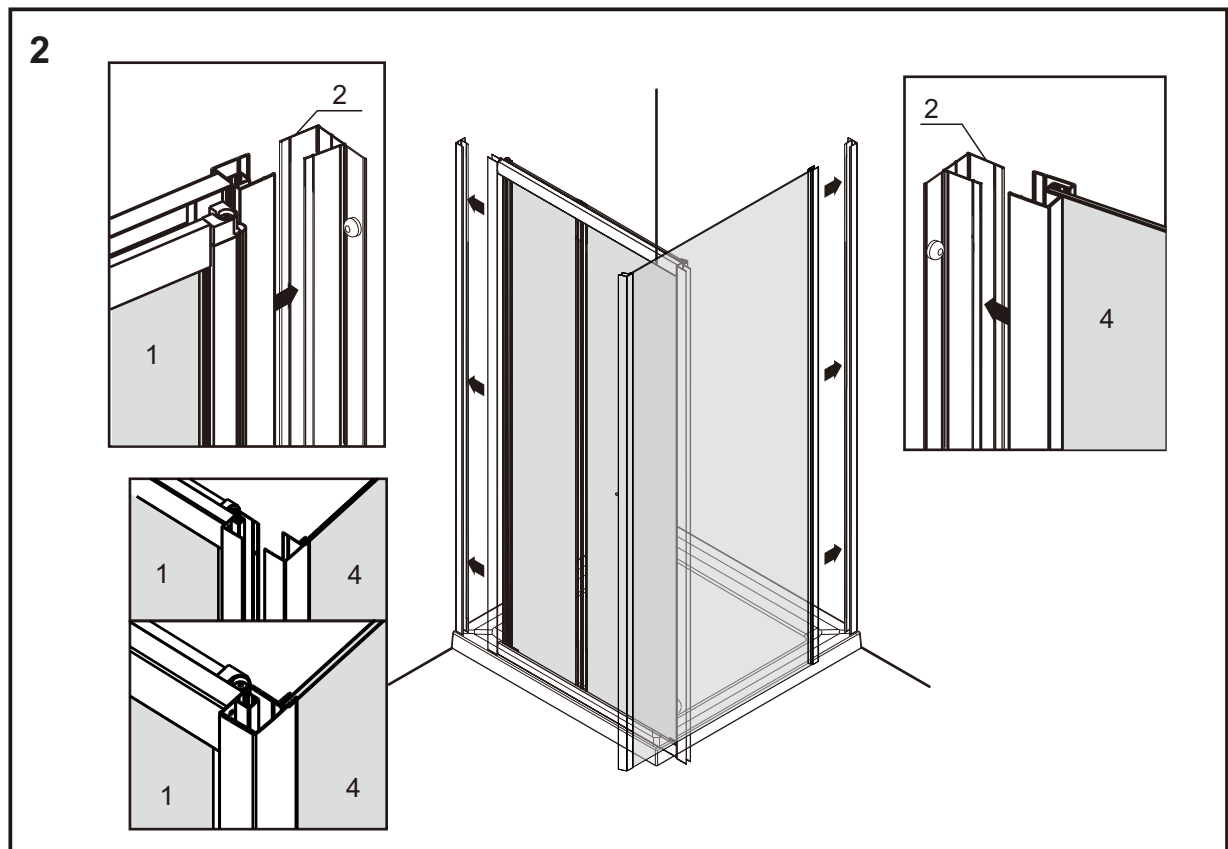
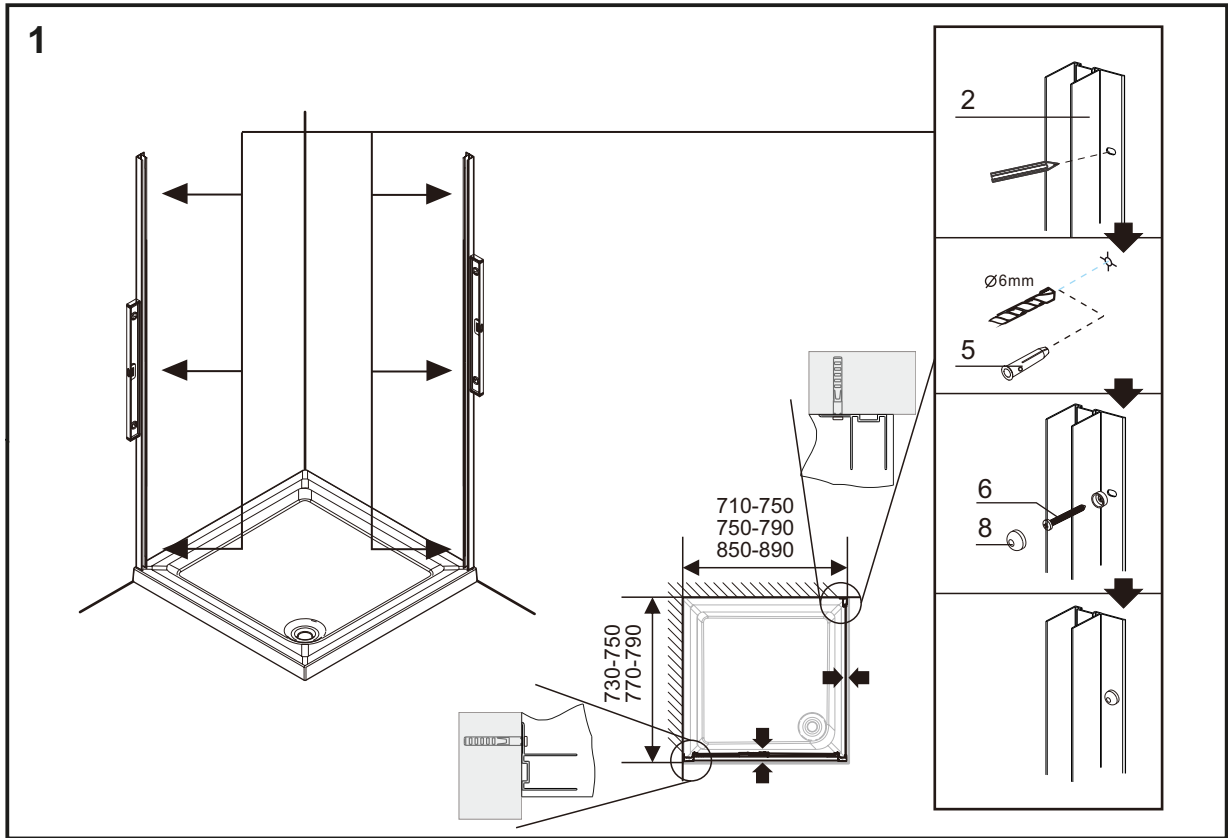
# Side panel & Bi-fold door

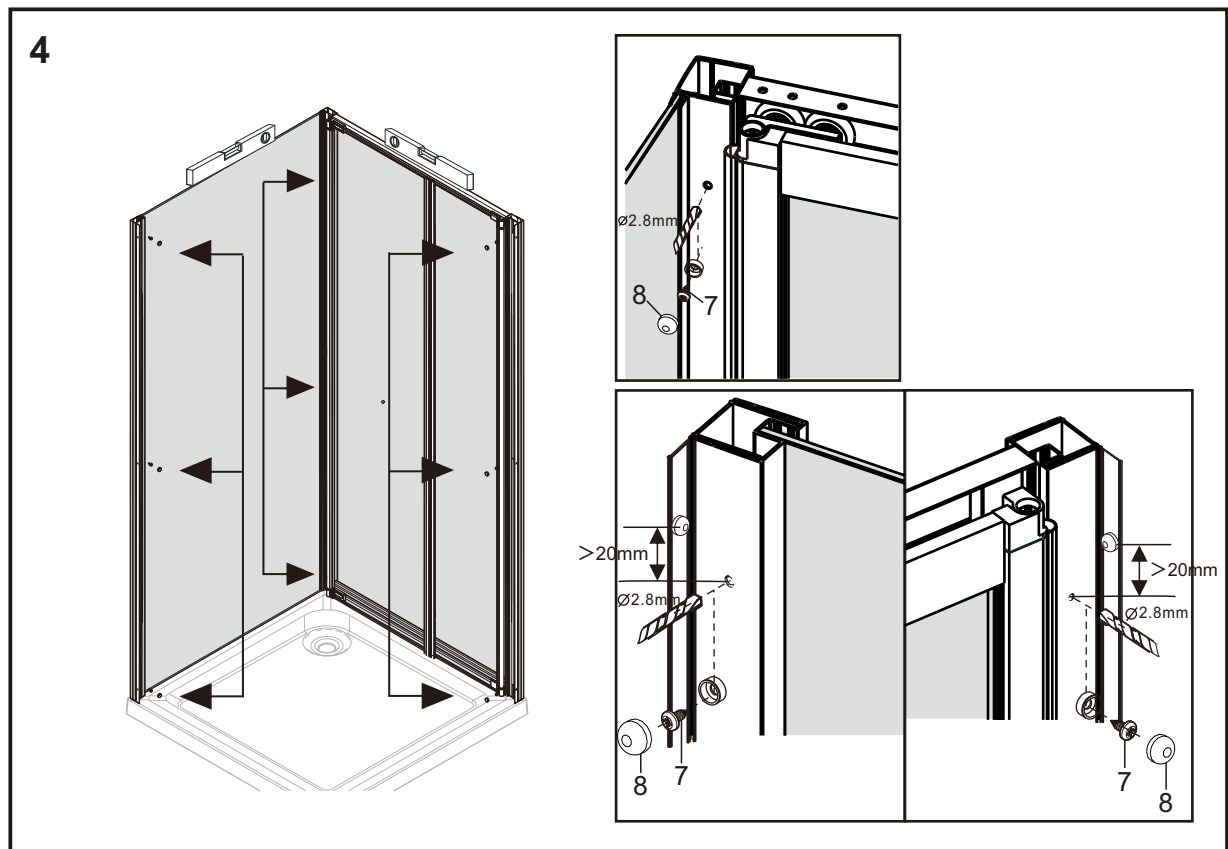
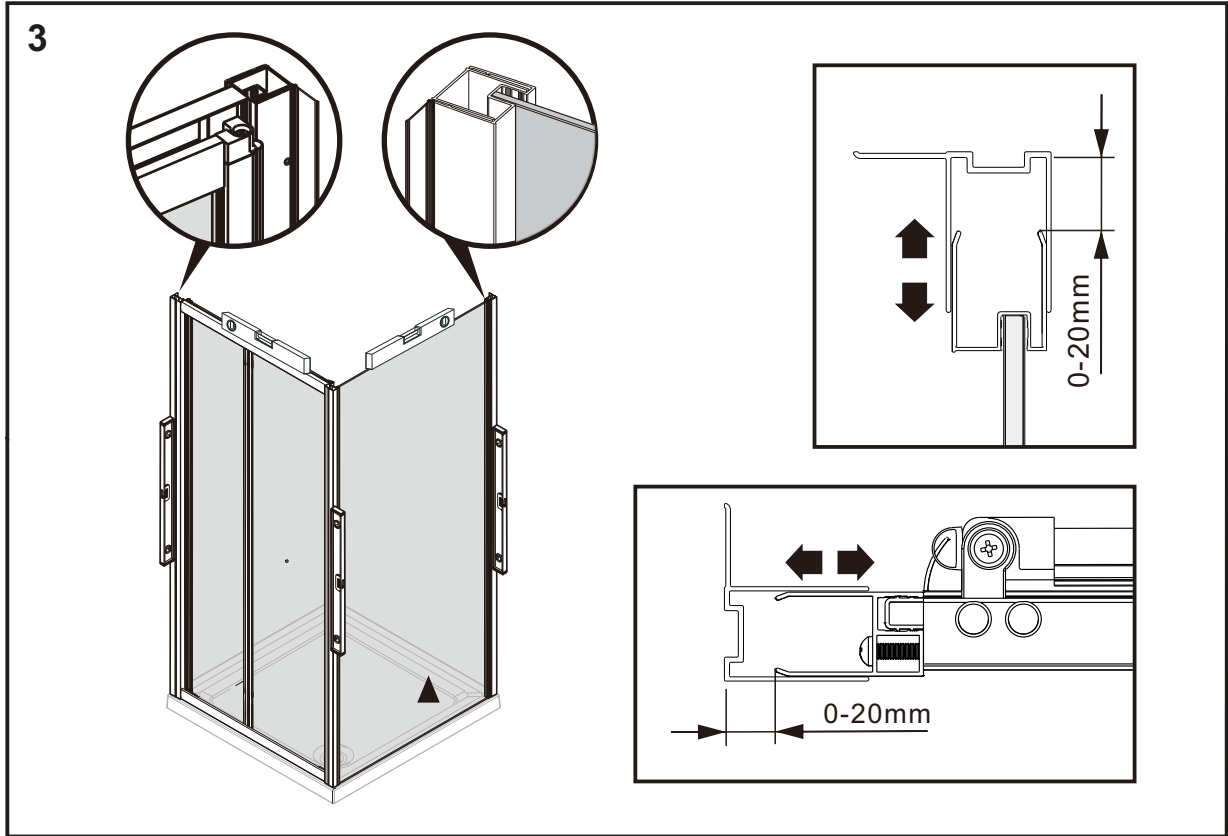


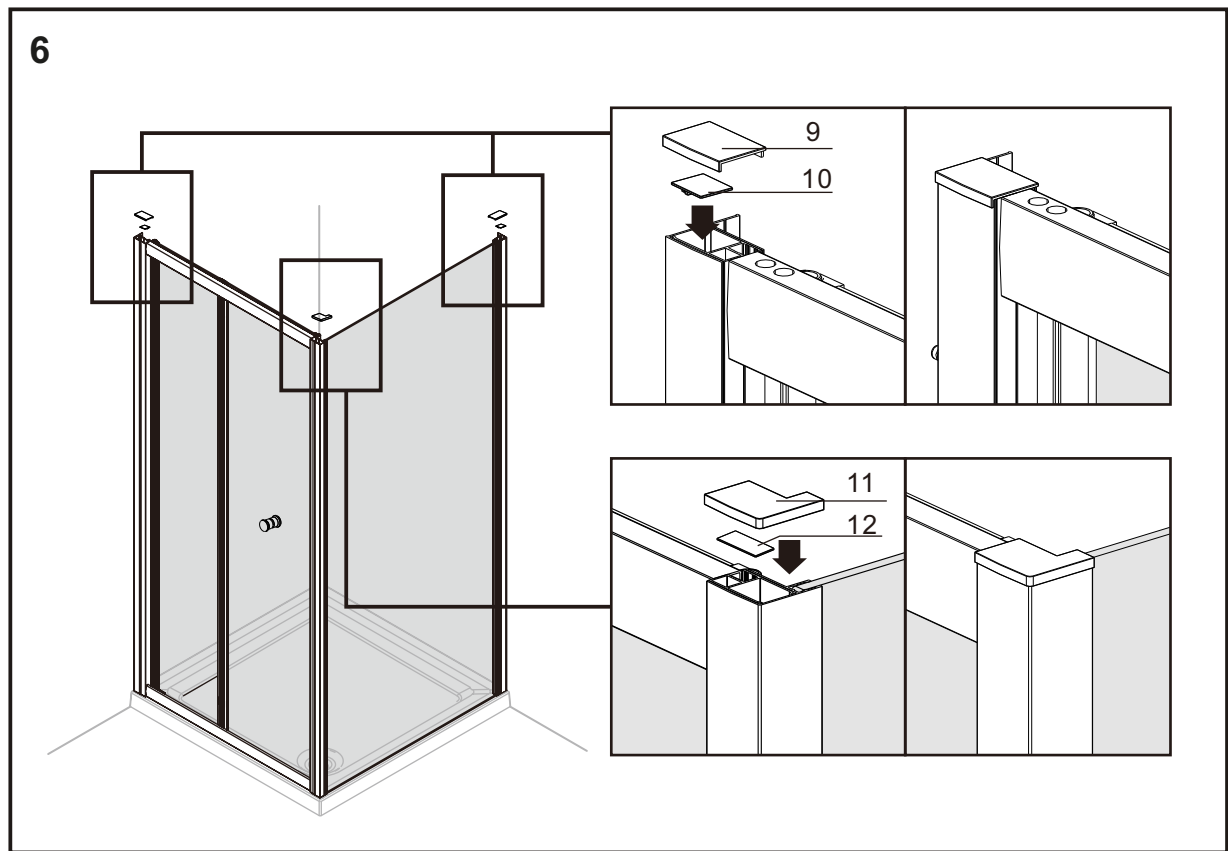
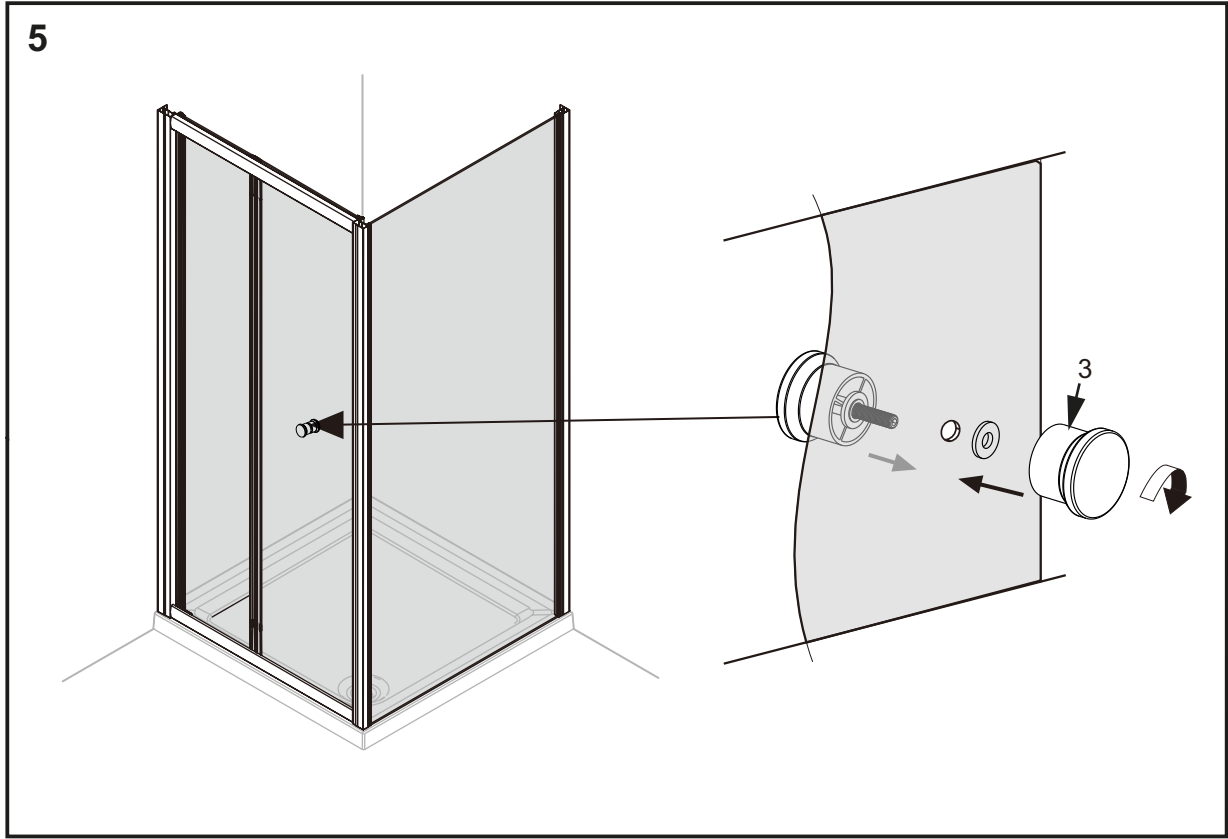
<p>1</p>  <p>X1</p>	<p>2</p>  <p>X2</p>	<p>3</p>  <p>X1</p>	<p>4</p>  <p>X1</p>	<p>5</p>  <p>X6</p>	<p>6</p>  <p>ST3.5X32</p> <p>X6</p>
<p>7</p>  <p>ST3.5X9.5</p> <p>X9</p>	<p>8</p>  <p>X15</p>	<p>9</p>  <p>X2</p>	<p>10</p>  <p>X2</p>	<p>11</p>  <p>LH LR</p> <p>X1 X1</p>	<p>12</p>  <p>X1</p>
<p>13</p>  <p>X2</p>	<p>14</p>  <p>X1</p>				

please note side panel is put in separate package

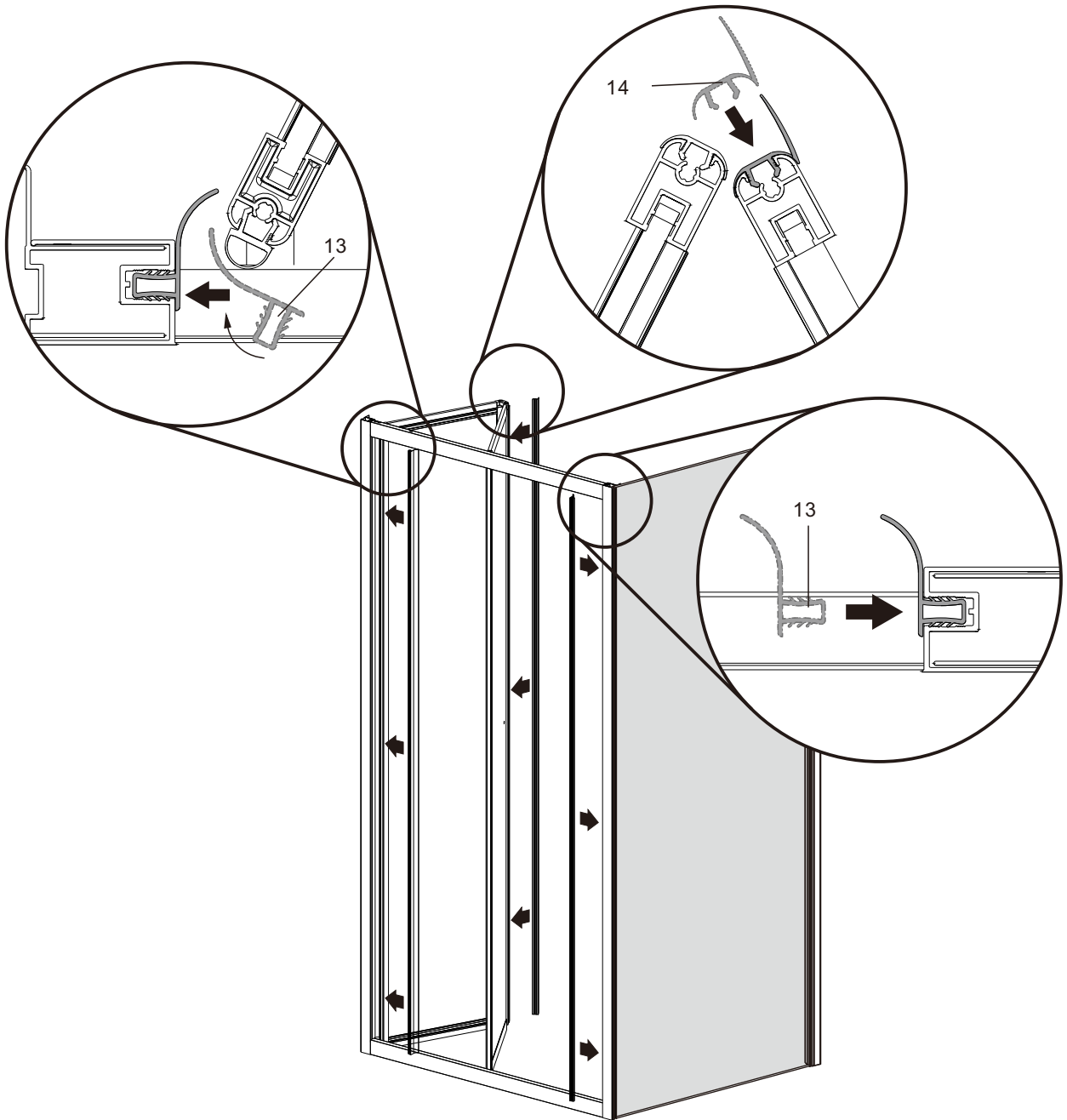




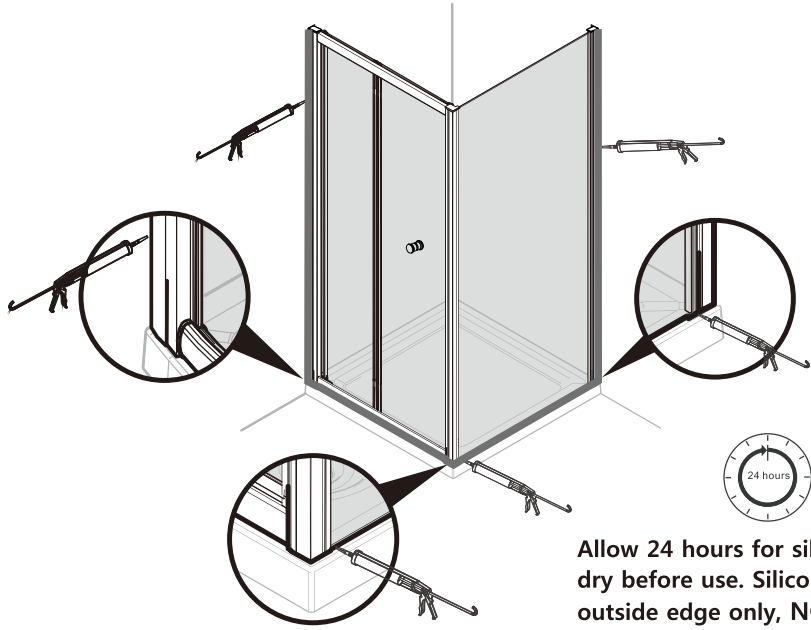




7



8



Allow 24 hours for silicone to dry before use. Silicone on the outside edge only, **NOT THE INSIDE**

**Aftercare instructions**

Regularly clean your shower product with warm soapy water to prevent lime scale build up. **DO NOT** use abrasive cleaning fluids or materials, or strong chemical cleaners as this will damage the product surface.

## **Check out our full range of Shower Enclosures**

Quadrant Shower Enclosures

Corner Entry Shower Enclosures

Walk in Shower Enclosures

Sliding Shower Doors

Bifold Shower Doors

Pivot Shower Doors

Hinged Shower Doors

Shower Screens

## **From Top Brands**

Coram Shower Enclosures

Mira Shower Enclosures

Hydrolux Shower Enclosures

Diamond Shower Enclosures

## **With quality shower trays to match your enclosure**

Square Shower Trays

Rectangular Shower Trays

Quadrant Shower Trays

Coram Shower Trays

Mira Flight Shower Trays

**plumbworld**  
**Big brands, small prices.**