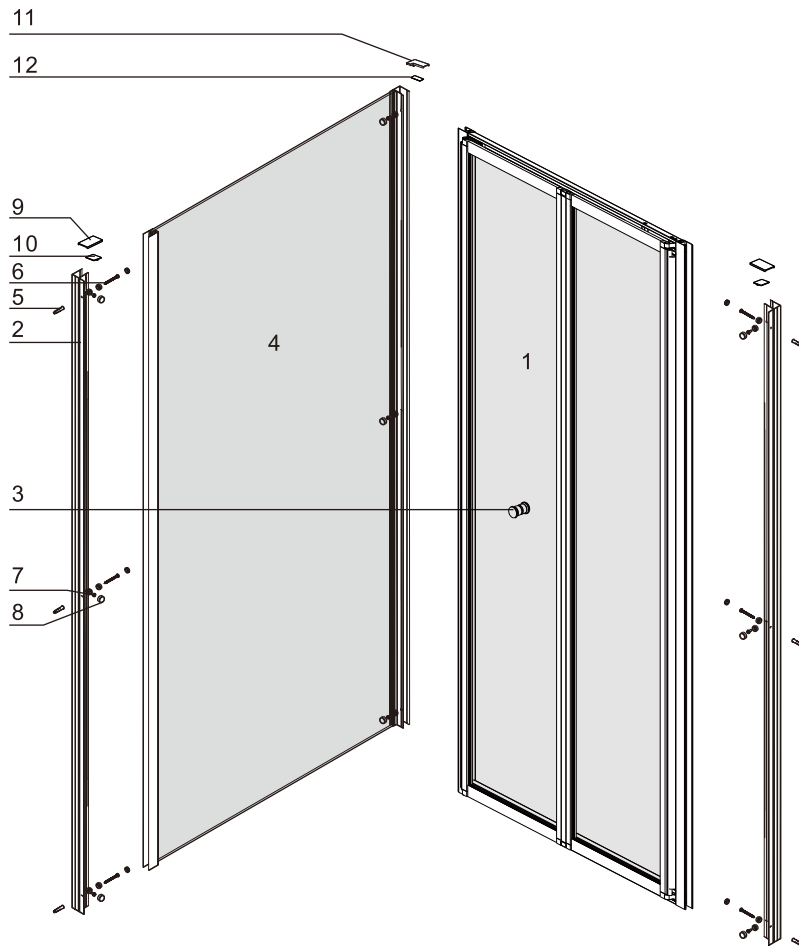




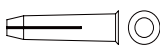



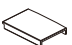



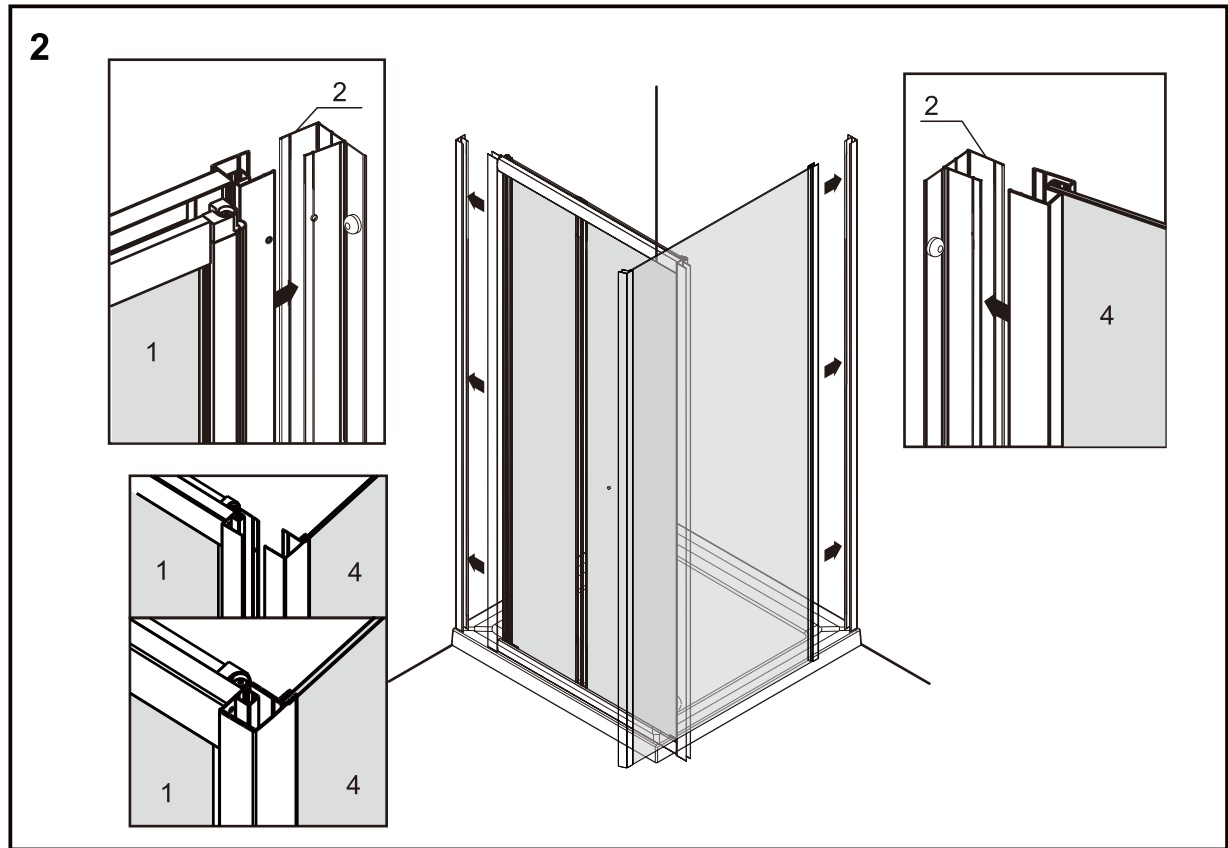
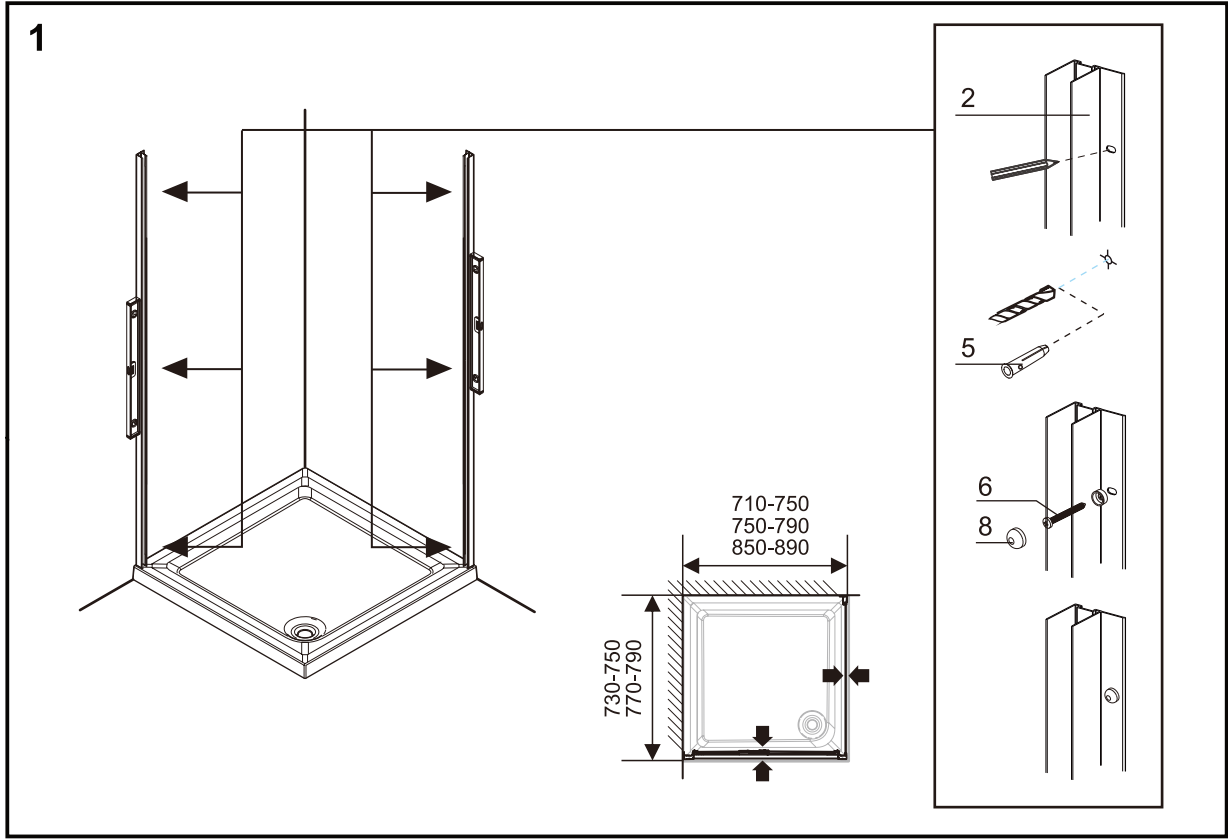
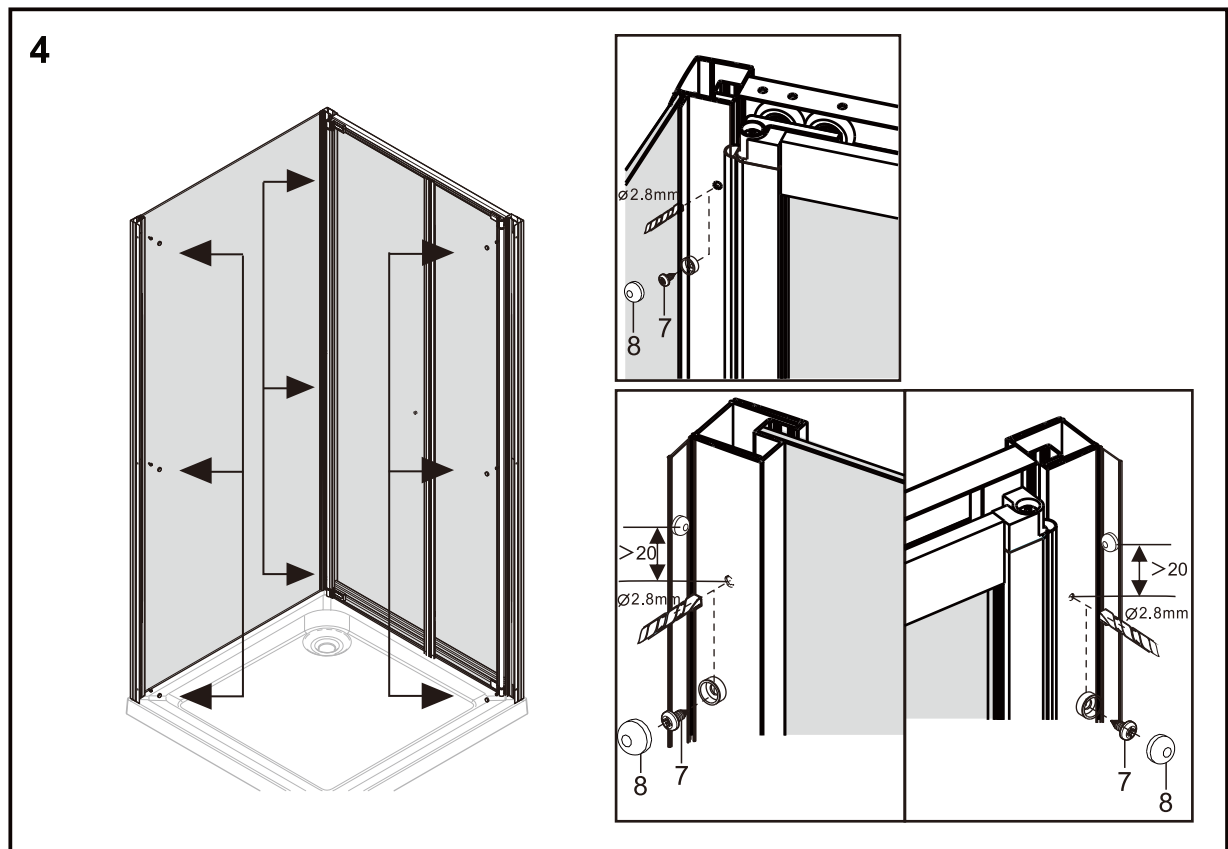
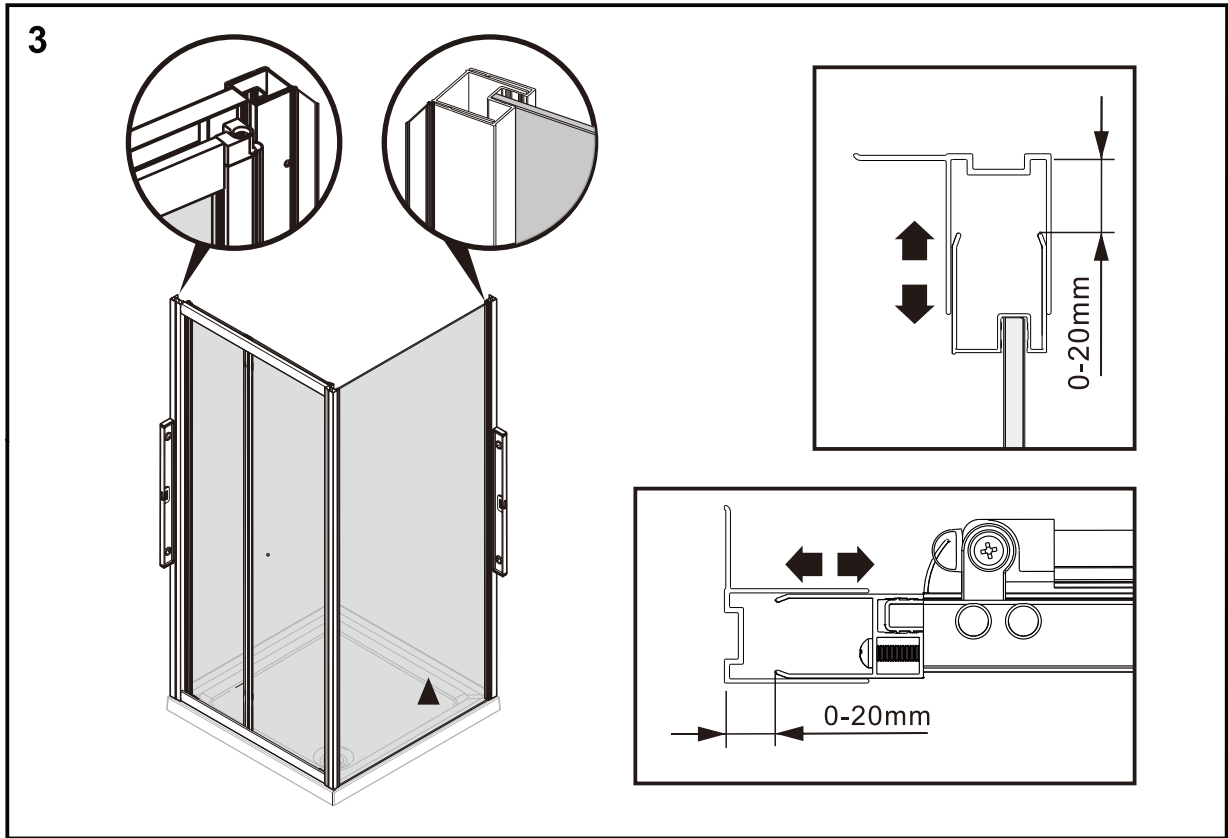


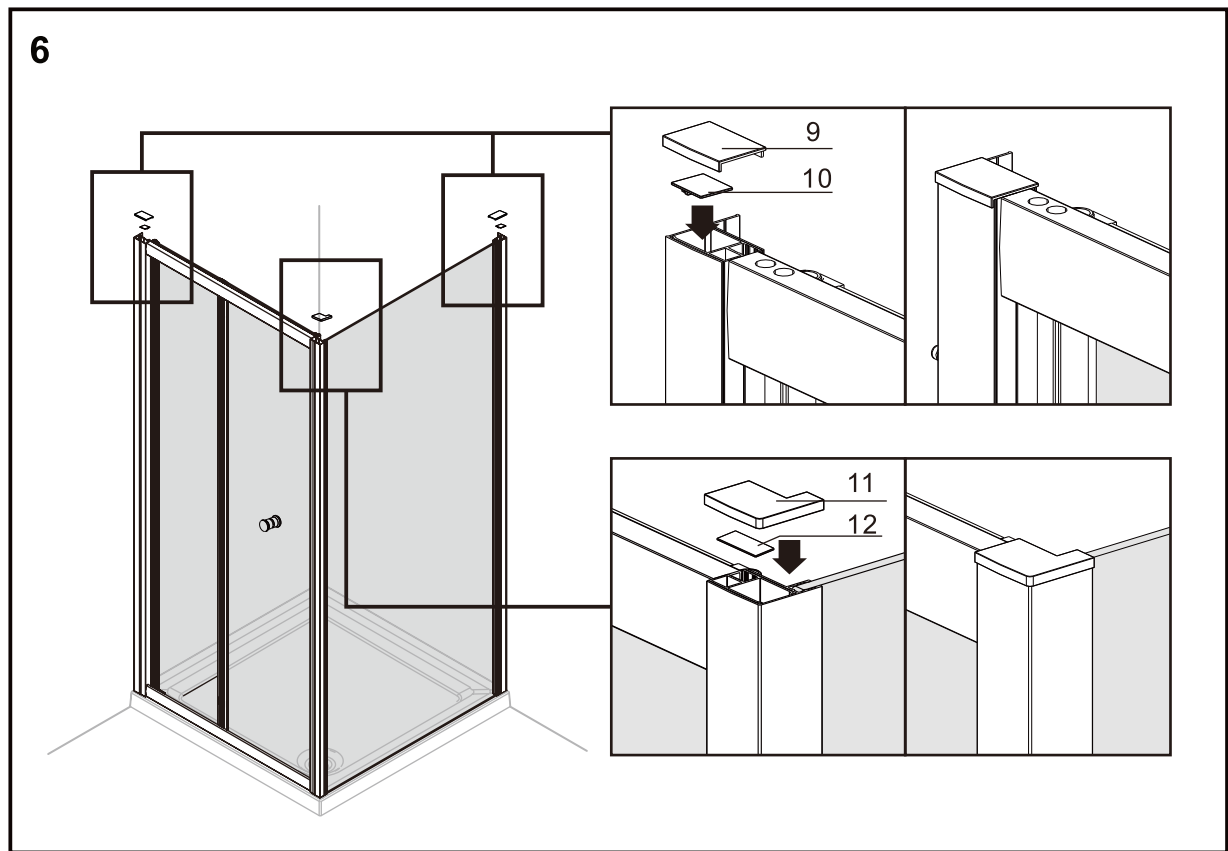
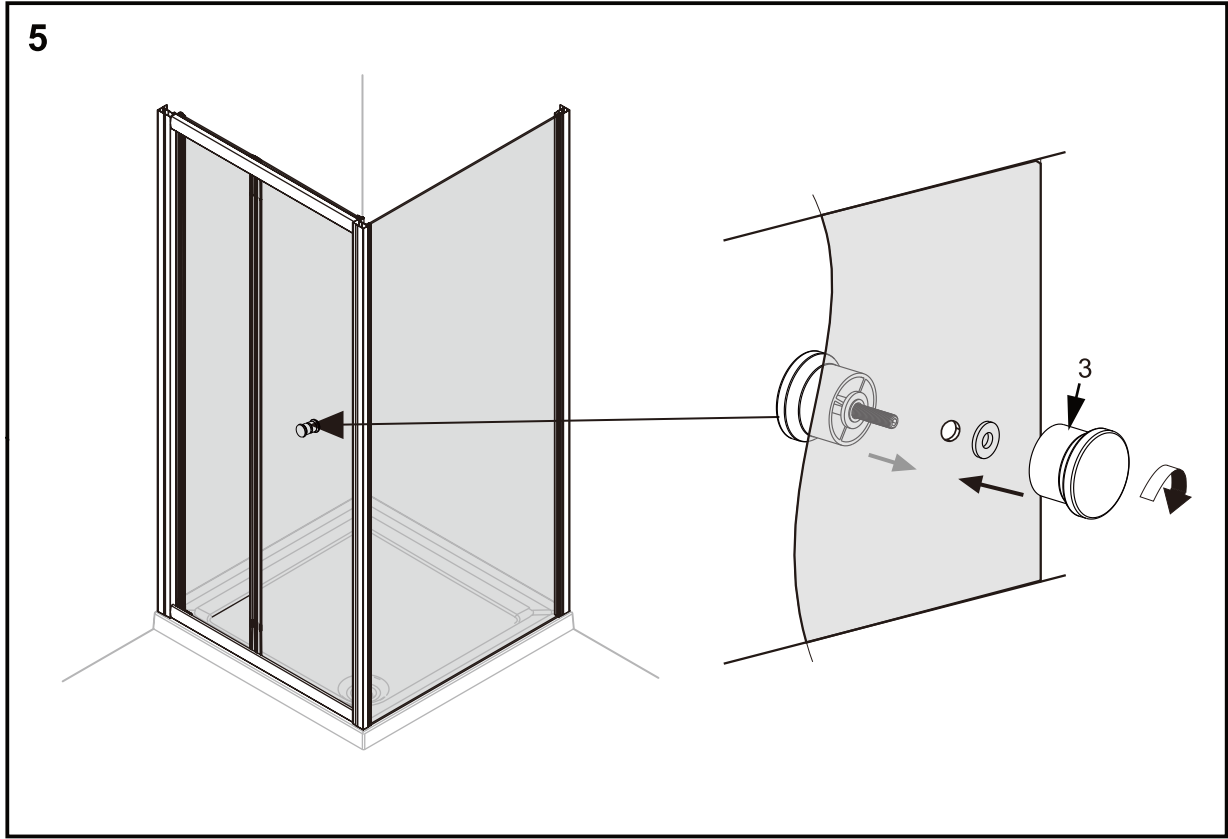
Side panel



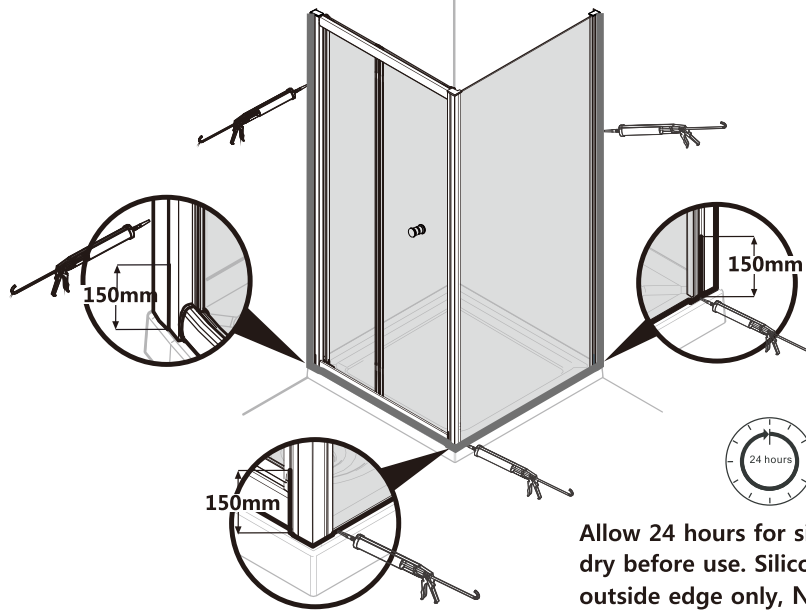
<p>1</p>  <p>X1</p>	<p>2</p>  <p>X2</p>	<p>3</p>  <p>X1</p>	<p>4</p>  <p>X1</p>	<p>5</p>  <p>X6</p>	<p>6</p>  <p>ST3.5X32</p> <p>X6</p>
<p>7</p>  <p>ST3.5X9.5</p> <p>X9</p>	<p>8</p>  <p>X15</p>	<p>9</p>  <p>X2</p>	<p>10</p>  <p>X2</p>	<p>11</p>  <p>X1 X1</p>	<p>12</p>  <p>X1</p>







7



Aftercare instructions

Regularly clean your shower product with warm soapy water to prevent lime scale build up. DO NOT use abrasive cleaning fluids or materials, or strong chemical cleaners as this will damage the product surface.

Check out our full range of Shower Enclosures

Quadrant Shower Enclosures

Corner Entry Shower Enclosures

Walk in Shower Enclosures

Sliding Shower Doors

Bifold Shower Doors

Pivot Shower Doors

Hinged Shower Doors

Shower Screens

From Top Brands

Coram Shower Enclosures

Mira Shower Enclosures

Hydrolux Shower Enclosures

Diamond Shower Enclosures

With quality shower trays to match your enclosure

Square Shower Trays

Rectangular Shower Trays

Quadrant Shower Trays

Coram Shower Trays

Mira Flight Shower Trays

plumbworld
Big brands, small prices.