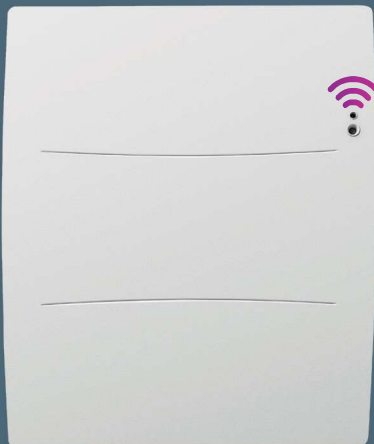


Agilia^{io}

Electric radiator

2 YEAR
WARRANTY



COMFORT

- Homogeneous & gentle heat diffusion
- Double heating element: aluminium + wide heating front film
- Integrated programming adjusting to the user's life rhythm
- Remote piloting through a smartphone or a tablet thanks to Cozytouch compatibility

SAVINGS

- Up to 45% of energy savings* thanks to integrated programming and absence/presence sensor
- Optional 6-command pilot wire: Comfort, Comfort -1°C, Comfort -2°C, Eco, Frost-free, Off
- Smart Pilot functions memorising user's life rhythm & comfort requirements to drive optimal energy savings
- Open/closed window detection function switching to Anti-frost mode as soon as a window opens
- Energy consumption indicator for responsible & informed use of the appliance
- ErP-compliant

USER-FRIENDLINESS

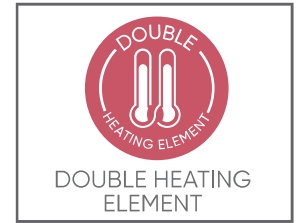
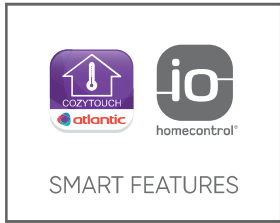
- Ergonomic LCD digital controls showing temperature and energy consumption
- 3 modes: Manual/Prog/Auto
- ASP (Anti-Staining Process) to reduce staining on wall and equipment
- Easy installation: H-shaped vertical support



The Agilia IO takes the smart features of the Agilia Digital and adds Cozytouch compatibility allowing the user to control these features through their smartphone . With integrated absence and presence detectors, the Agilia IO adapts to your lifestyle and, even in it's stylish and compact form. It can also heat up quickly thanks to it's double heating element.



* Compared to a mechanical convector

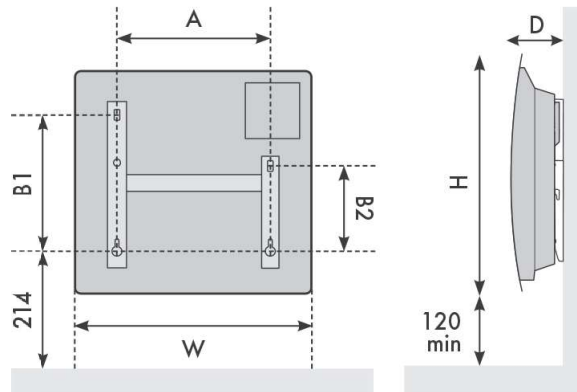


Agilia IO technical data

OUTPUT (W)	DEPTH (MM)	WIDTH (MM)	HEIGHT (MM)	A	B1	B2	WEIGHT (KG)	MODEL
500	129	372	530	120.8	246	158.5	5.5	AH503105
750	129	372	530	120.8	246	158.5	5.5	AH503107
1000	129	446	530	194.8	246	158.5	6	AH503110
1250	129	520	530	268.8	246	158.5	7.5	AH503117
1500	138	594	530	342.8	246	158.5	9	AH503115
2000	138	742	530	490.8	246	158.5	9	AH503120



- 1 Fast heating surface
- 2 Cozy touch compatible
- 3 LCD Digital controls
- 4 Digital screen
- 5 Navigation buttons
- 6 Access to menu/validation



Dimensions in mm.

We reserve the right to change specification without prior notice. Please check final dimensions with your local representative before purchase.