

TECHNICAL DATA SHEET

ProductCode: 151871



Product Description:
Iflo Abingdon Two Way Thermostatic Valve Brushed Brass

Product Specification

Material:
Solid brass with a high quality brushed brass finish

Connections
15mm Compression

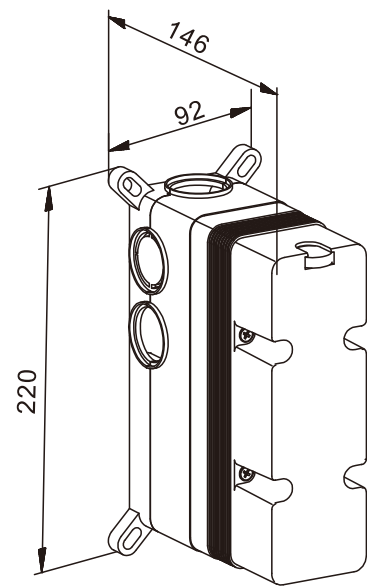
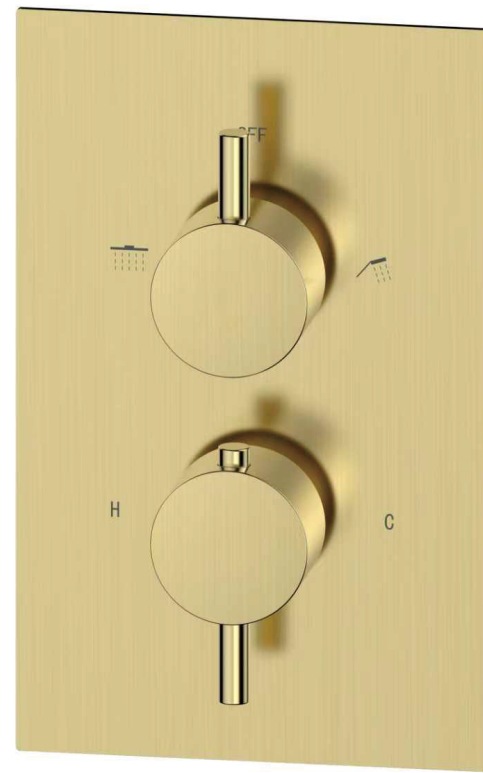
Systems:
Suitable for high or low pressure systems
0.2 - 5.0 Bar
If more than 5.0 Bar - a pressure reducing valve must be fitted
Pre-Set to 38°C

Additional Information

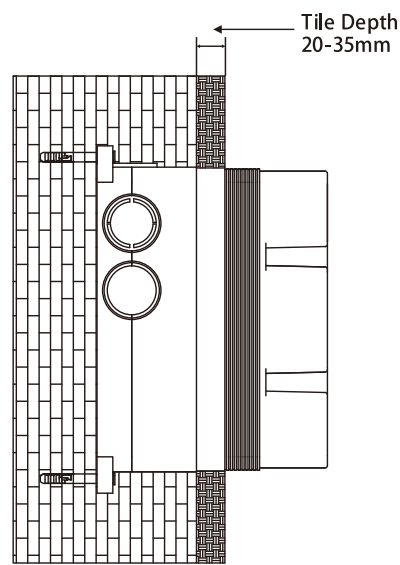
Always inspect before installation

Do not clean with abrasive cleaning products

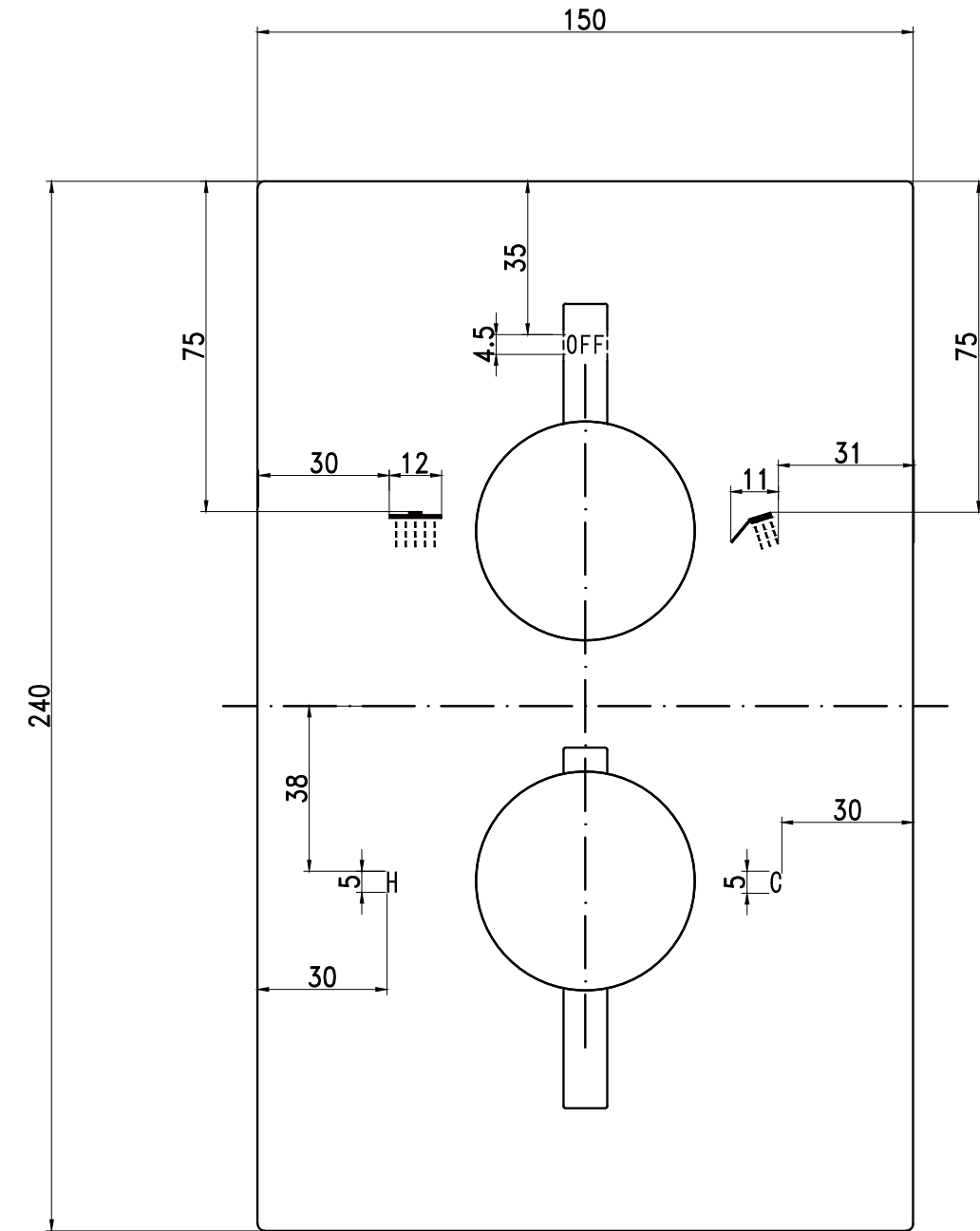
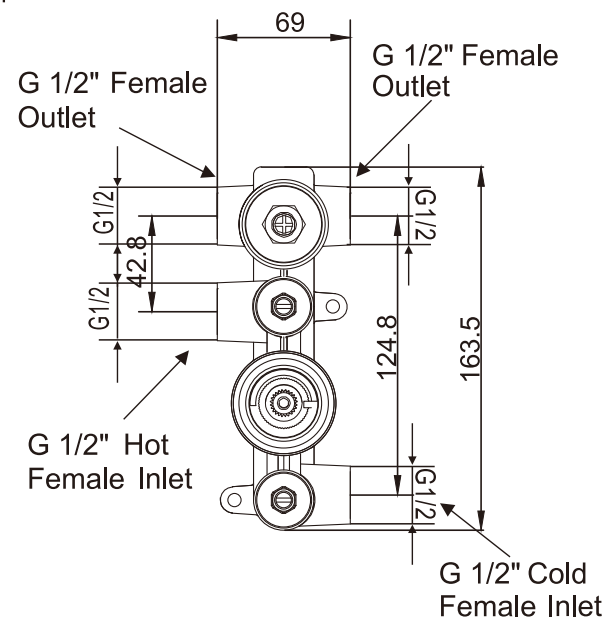
WRAS approved



Easy box included



Installation Depth 63mm



The information contained within this specification sheet is believed to be correct and complete at the time of creation. All photographs / drawings are as a guide only and do not necessarily represent the products available. The Highbourne Group reserves the right to change product details and price without prior notice. E&OE.' [11/ 2024]
Iflo is a registered trademark of the Highbourne Group, Highbourne House, Eldon Way, Crick Northants, NN6 7SL

The information contained within this specification sheet is believed to be correct and complete at the time of creation. All photographs / drawings are as a guide only and do not necessarily represent the products available. The Highbourne Group reserves the right to change product details and price without prior notice. E&OE.' [11/ 2024]
Iflo is a registered trademark of the Highbourne Group, Highbourne House, Eldon Way, Crick Northants, NN6 7SL