

# TECHNICAL DATA SHEET

Product Code: 138284

Product Description:

iflo Albany Floor Mounted Bath Filler & Hand Shower - Brushed Brass

## Product Specification

Material:

Solid brass with a high quality brushed brass finish

Fittings:

Flexi Connectors

Systems:

Suitable for high and low pressure systems

Suitable for Gravity fed systems

Suitable for Unvented systems

Suitable for Combi boilers

## Additional Information

Always inspect before installation

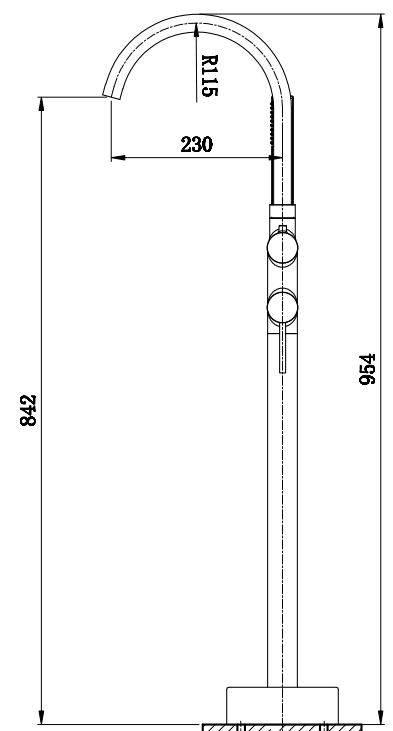
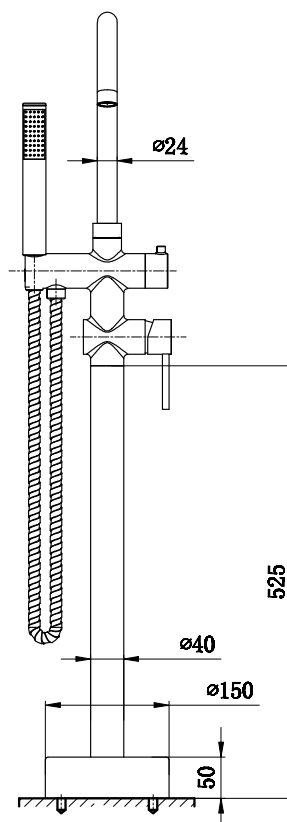
Do not clean with abrasive cleaning products

WRAS approved

Lever style handles for ease of use



Pressure (Bar)	Flow Rate (Litres per Minute)	
	Spout	Hand Shower
0.3	7.82	3.65
0.4	8.95	4.30
0.5	9.53	4.53
1.0	14.73	7.25
1.5	18.47	9.48
2.0	21.03	11.12
3.0	26.20	14.50
4.0	30.02	17.02
5.0	33.92	19.43



'The information contained within this specification sheet is believed to be correct and complete at the time of creation. All photographs / drawings are as a guide only and do not necessarily represent the products available. The Highbourne Group reserves the right to change product details and price without prior notice. E&OE.' [11/2024]