

TECHNICAL DATA SHEET



Product Code: 138276

Product Description: Iflo Albany Bath Filler - Chrome

Product Specification

Material:

Solid brass with a high quality chrome finish

Fittings:

Brass Back nuts

Systems:

Suitable for high and low pressure systems

Suitable for Gravity fed systems

Suitable for Unvented systems

Suitable for Combi boilers

Additional Information

Always inspect before installation

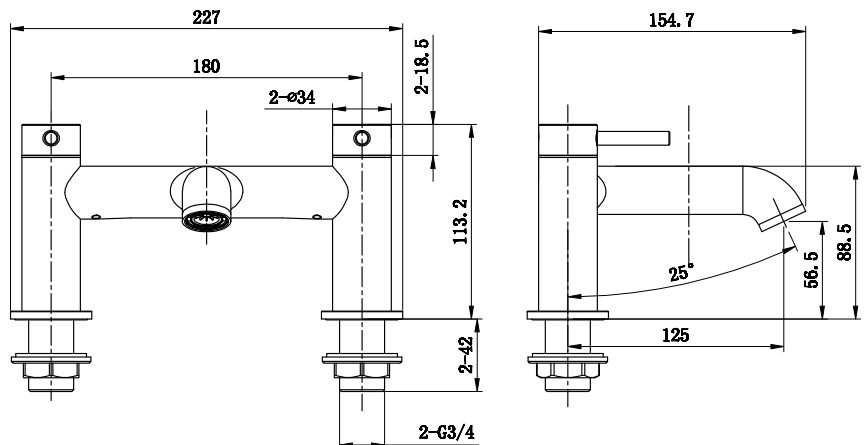
Do not clean with abrasive cleaning products

WRAS approved

Lever style handles for ease of use



Pressure (Bar)	Flow Rate (Litres per Minute)
0.3	16.70
0.4	19.00
0.5	20.23
1.0	29.35
1.5	36.18
2.0	41.68
3.0	51.35
4.0	59.37
5.0	66.58



'The information contained within this specification sheet is believed to be correct and complete at the time of creation. All photographs / drawings are as a guide only and do not necessarily represent the products available. The Highbourne Group reserves the right to change product details and price without prior notice. E&OE.' [11/2024]