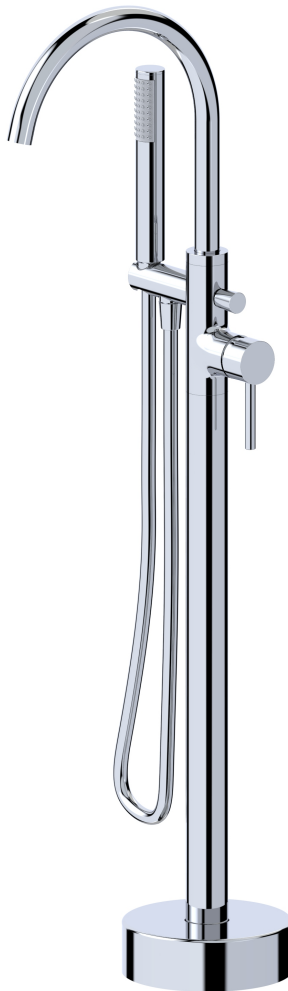




INSTALLATION MANUAL

Floor Mounted Bath Filler



Tools Needed

Maximum Hot 60°C

Dynamic Water Pressures

Min: 0.2 bar Max: 5.0 bar

Maximum Static Pressure: 10.0 bar

Troubleshooting		
Symptom	Cause	Remedy
No flow or low flow rate	Partially closed isolation valve.	Open isolation valve.
	Instantaneous water heater cycles on and off as flow rate or pressure is too low.	Increase water flow rate or pressure through system.
	Head of water is below the minimum distance required.	Refer to specification for minimum distance required.
	Hot or cold water being drawn off elsewhere causing pressure changes or instantaneous boiler temperature changes.	Do not use other water outlets when using the taps.
	Airlock or partial blockage in the supply pipework.	Flush through pipework to ensure removal of debris and any airlocks.
Water dripping from taps	This is normal for a short time after using the taps.	This is caused by residual water tension, the build up of water in the tap body.
	If water continues to drip, possibly due to the ceramic disc valves	Remove valves and clean, refer to 'Maintenance' section before starting any maintenance.
Taps do not turn on	Closed isolation valve.	Open isolation valve.
	Mains water supply turned off.	Turn on mains water supply.

1. NOTES FOR INSTALLATION

Warning: Please read all the instructions completely before proceeding.

- 1) The installation must comply with the "Water Supply Regulations 1999 (Water Fittings) or any particular regulations and practices specified by the local water company or water undertakers.
- 2) Minimum and Maximum working pressure : 0.2 - 5 bar
- 3) Please do not connect hot and cold water supply lines in reverse. This could result in scalding.
- 4) The hot water temperature must not exceed 60°C. Exceeding 60° may cause scalding, the service life of your tap might be shortened, or the product might be damaged.

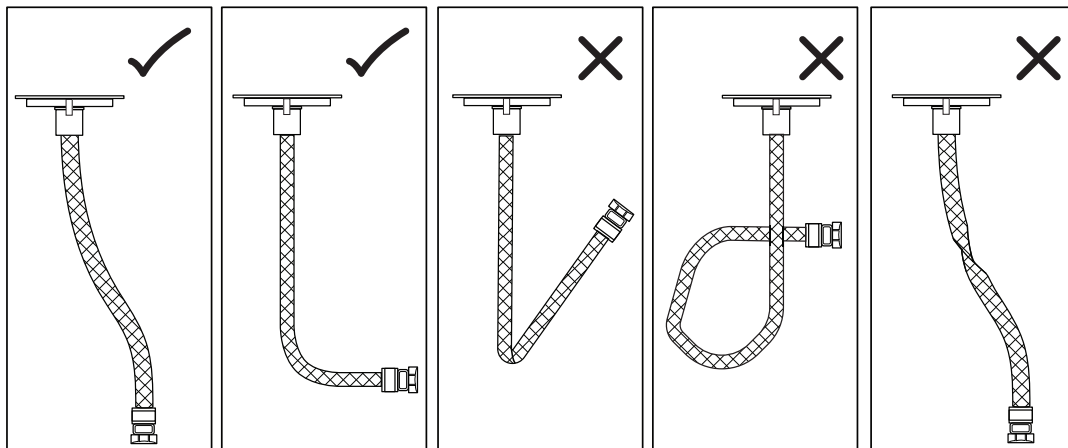
2. SHUT OFF WATER SUPPLY

Locate water supply inlets and shut off the water supply valves. These are usually found under the sink or near the water meter.

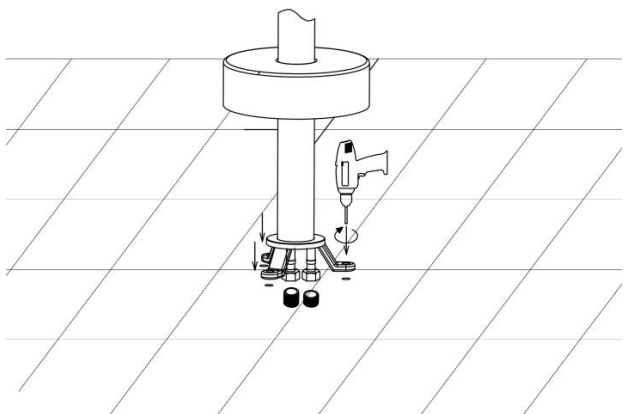
3. INSTALLATION

Flexible Connecting Pipes:

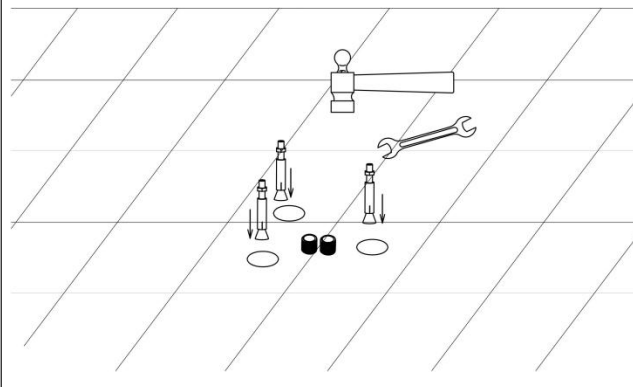
When installing the flexi pipes, ensure they do not bend sharply causing a kink or twist. Failure to do so may result in poor performance and damage to the flexi-pipes.



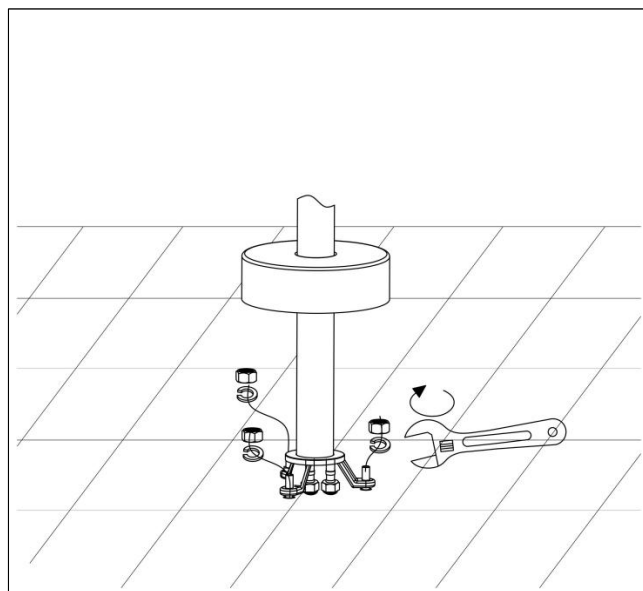
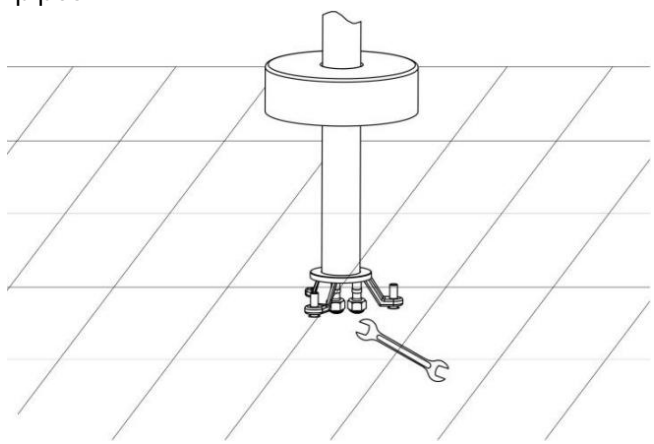
Mark out the fixing positions on the flooring basing on the body and drill 3 holes



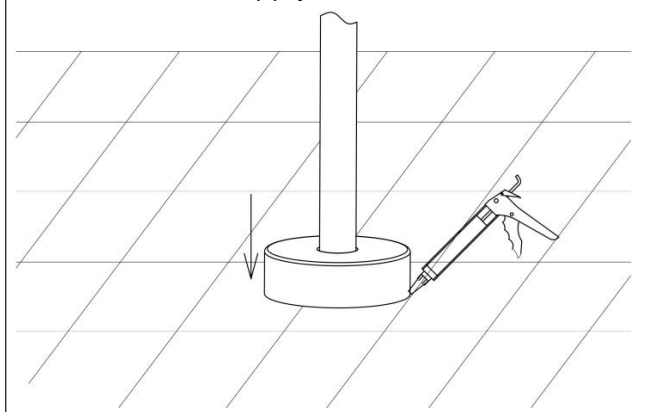
Fix the floor screws into the holes.



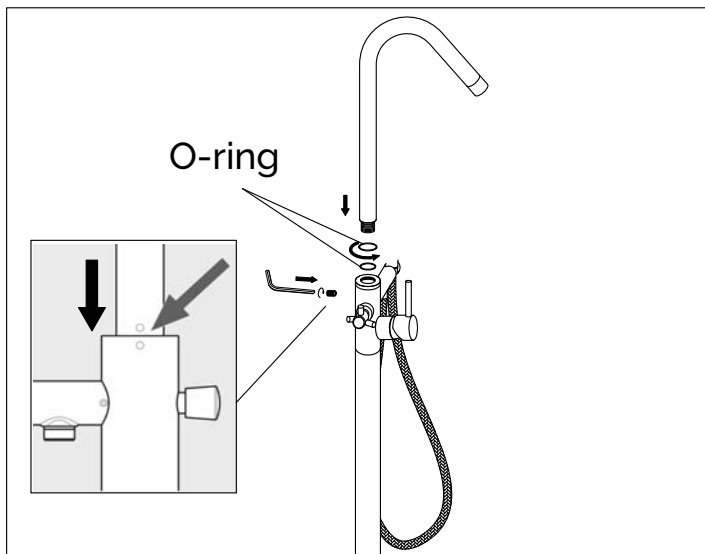
Push the mounting seat over floor screws and fasten with steel gasket and nut. Connect the inlet hoses with hot (Left) and cold (right) water pipes.



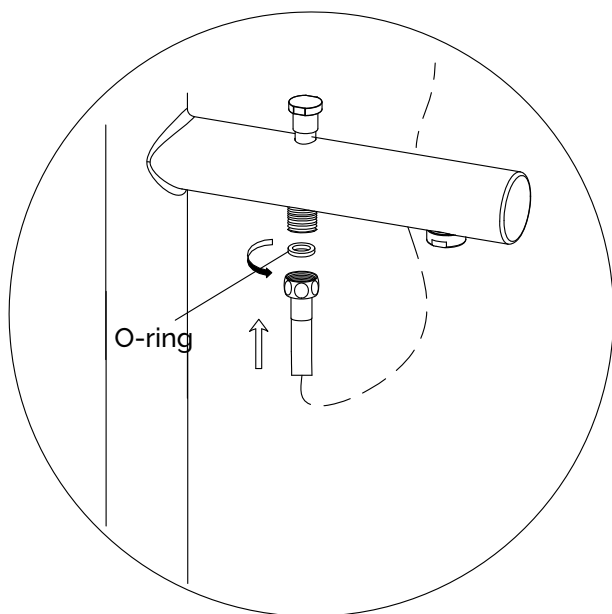
Slide down the base until it reaches the floor. Waterproof adhesive is recommended to be applied. Turn on water supply and check for leaks.



4 INSTALLATION OF SPOUT



5 INSTALLATION OF HOSE



6 UNIT START UP

Prior to installation and connection, make sure the pipes are thoroughly flushed to remove any debris.
 Connect the hot (left) and cold (right) water supply.
 Test the water to ensure a watertight connection with the mixer in both open and closed positions.

