

TECHNICAL DATA SHEET

Product Code: 295412

Product Description: iflo aura basin mixer no waste

Product Image:



Product Specification

Dimensions: 140 X 50 X 145 mm

Materials: body: CC757S

Fitting: Manual including fitting instructions enclosed

Standards: BS EN 817

Approvals:

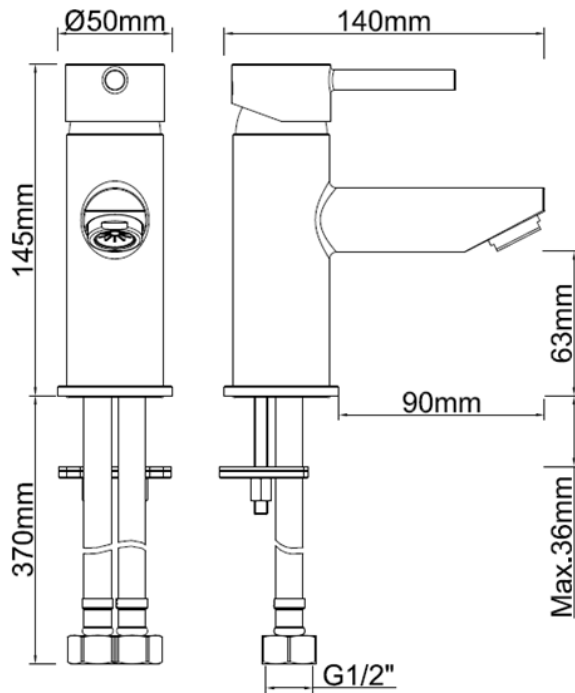
Additional Information

F&B (Features & Benefits):

- Chrome finish
- Suitable for high & low pressure
- Suitable for 1 tap hole basins
- Ceramic disc cartridge
- Minimum Working Pressure at 0.3bar, recommended working pressure: 0.3-5.0bar
- Come with stainless steel flexible hose
- Brass tap body, Zinc handle

TECHNICAL DATA SHEET

Technical Drawings



Guarantee: 10 year

EU GPSR Single Point of Contact: Product.compliance@highbournegroup.co.uk