

TECHNICAL DATA SHEET

Product Code: 604588

Product Description: iflo cp barcelona bath filler

Product Image:



Product Specification

Dimensions: 155X 228 X 88 mm

Materials: body: CC757S

Fitting: Manual including fitting instructions enclosed

Standards: BS EN 200

Approvals:

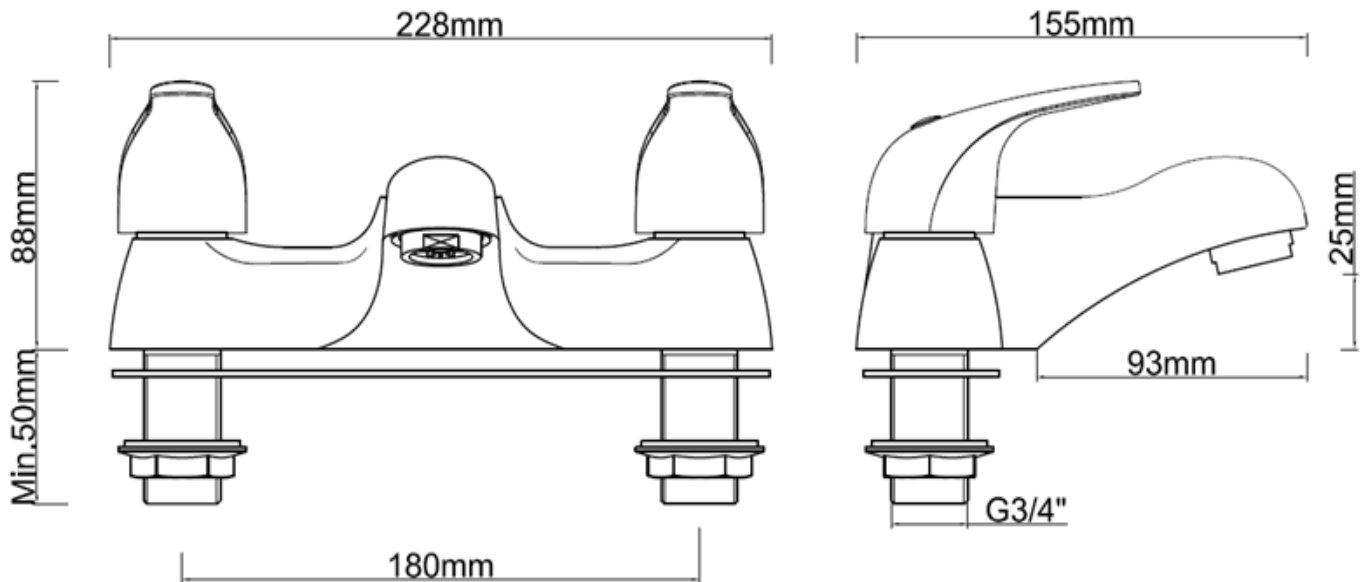
Additional Information

F&B (Features & Benefits):

- Chrome finish
- Suitable for high & low pressure
- Suitable for 2 tap hole baths
- 3/4" CD Valve
- Minimum Working Pressure at 0.1bar, recommended working pressure: 0.1-5.0bar
- Zinc back nuts brass finishing and rubber washers
- Brass tap body, Zinc handle

TECHNICAL DATA SHEET

Technical Drawings



Guarantee: 10 year

EU GPSR Single Point of Contact: Product.compliance@highbournegroup.co.uk