

# TECHNICAL DATA SHEET



Product Code: 151890

Product Description:

Iflo Bramley OneWay Thermostatic Shower Chrome

## Product Specification

Material:

Solid brass with a high quality chrome finish

Connections

15mm Compression

Systems:

Suitable for high or low pressure systems

0.2 - 5.0 Bar

If more than 5.0 Bar - a pressure reducing valve must be fitted

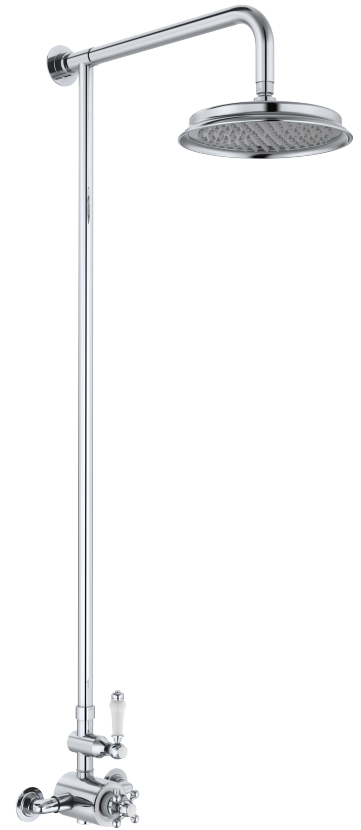
Pre-Set to 38°C

## Additional Information

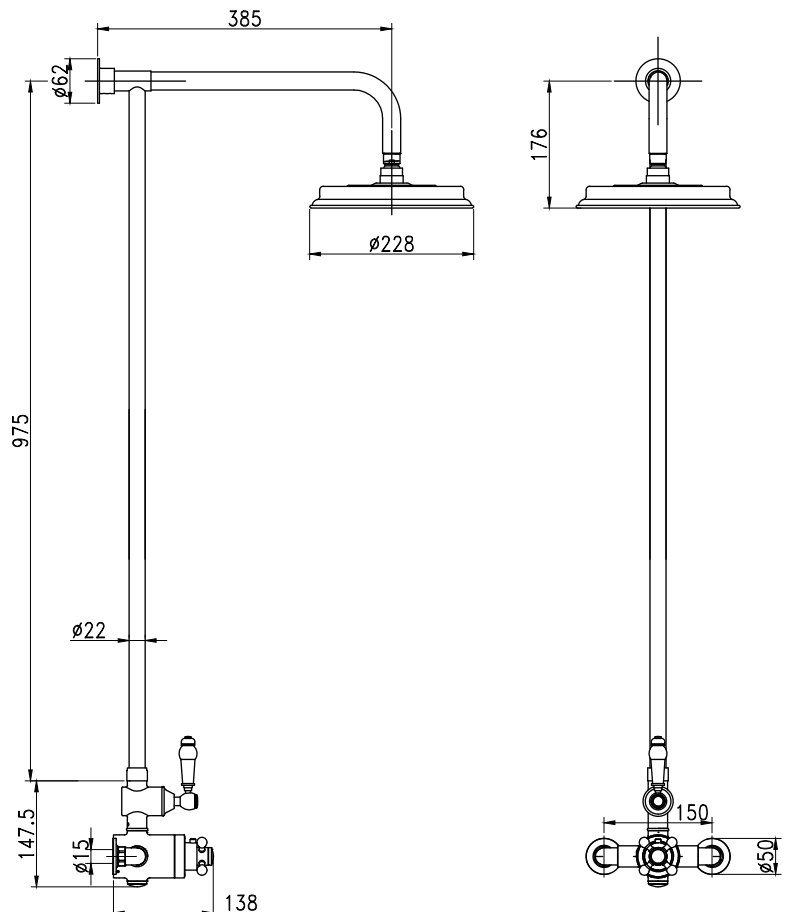
Always inspect before installation

Do not clean with abrasive cleaning products

WRAS approved



Pressure (Bar)	Flow Rate (Litres per Minute)
0.5BAR	5.45
1.0BAR	7.83
1.5BAR	9.90
2.0BAR	11.43
2.5BAR	13.25
3.0BAR	14.60
3.5BAR	16.18
4.0BAR	17.32
4.5BAR	18.38
5.0BAR	19.75



'The information contained within this specification sheet is believed to be correct and complete at the time of creation. All photographs / drawings are as a guide only and do not necessarily represent the products available. The Highbourne Group reserves the right to change product details and price without prior notice. E&OE.' [11/2024]