

# TECHNICAL DATA SHEET



Product Code: 151841

Product Description: iflo Calm Basin Mixer Tap No Waste

## Product Specification

### Material:

Solid brass with a duragleam Chrome finish

### Fittings:

Single stud fixing kit

### Systems:

Suitable for high and low pressure systems

Suitable for Gravity fed systems

Suitable for Unvented systems

Suitable for Combi boilers

## Additional Information

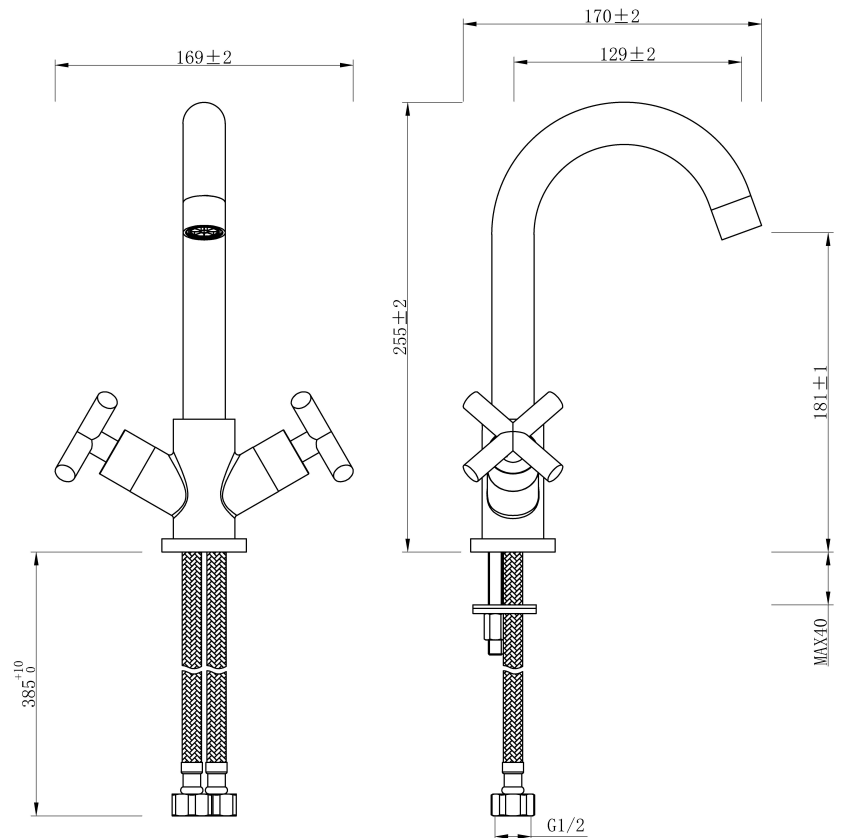
Always inspect before installation

Do not clean with abrasive cleaning products

WRAS approved



Pressure(bar)	Flow Rate(L/Min)
0.3	2.7
0.4	4
0.5	5
0.6	5.5
0.7	6
0.8	6.4
0.9	6.8
1	7.2
2	10.5
3	12.8



The information contained within this specification sheet is believed to be correct and complete at the time of creation. All photographs / drawings are as a guide only and do not necessarily represent the products available. The Highbourne Group reserves the right to change product details and price without prior notice.