

TECHNICAL DATA SHEET

Product Code: 604584

Product Description: cross head bib tap

Product Image:



Product Specification

Dimensions: 100.5 X 56 X 124 mm

Materials: body: CC757S

Fitting: Manual including fitting instructions enclosed

Standards: BS EN 200

Approvals:

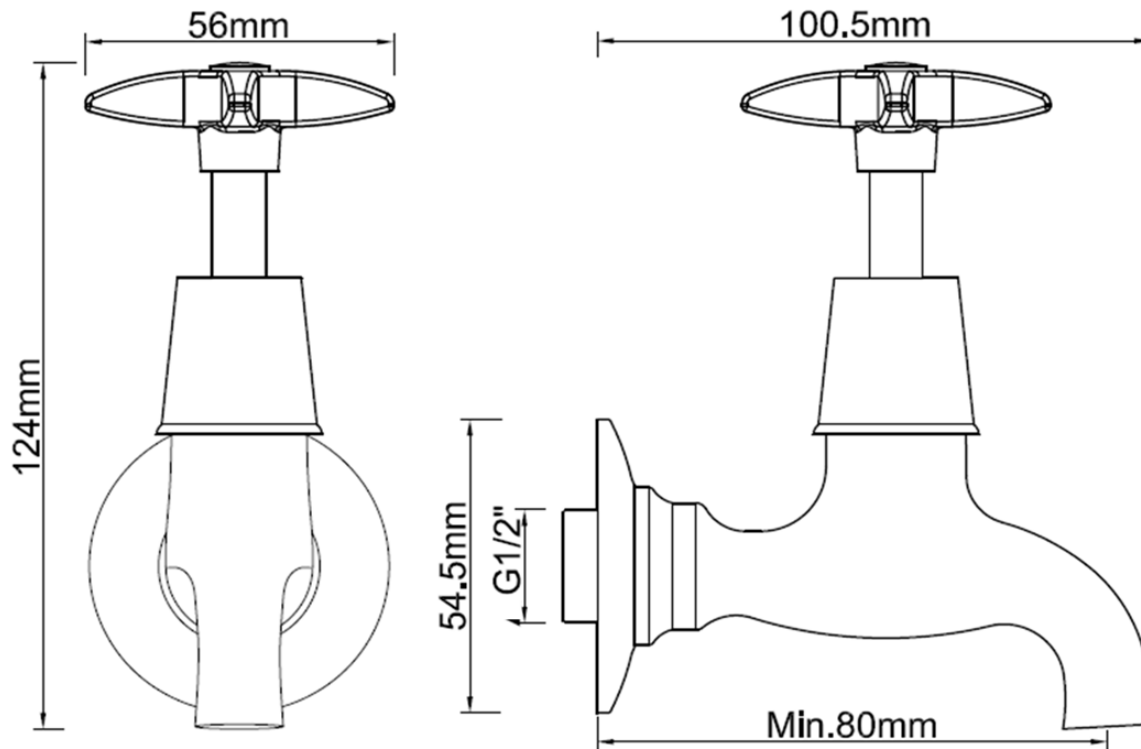
Additional Information

F&B (Features & Benefits):

- Chrome finish
- Suitable for high & low pressure
- Suitable for Combi boilers
- Compression valve operation
- Minimum Working Pressure at 0.1bar, recommended working pressure: 0.1-5.0bar
- Brass tap body, Zinc handle

TECHNICAL DATA SHEET

Technical Drawings



Guarantee: 5 year

EU GPSR Single Point of Contact: Product.compliance@highbournegroup.co.uk