

TECHNICAL DATA SHEET



Product Code: 151887

Product Description:

Iflo Ottawa TwoWay Thermostatic Shower Chrome

Product Specification

Material:

Solid brass with a high quality chrome finish

Connections

15mm Compression

Systems:

Suitable for high or low pressure systems

0.2 - 5.0 Bar

If more than 5.0 Bar - a pressure reducing valve must be fitted

Pre-Set to 38°C

Additional Information

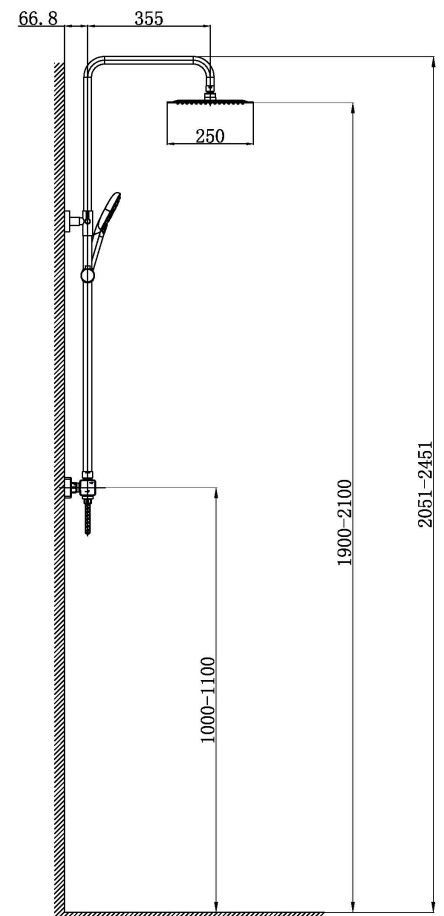
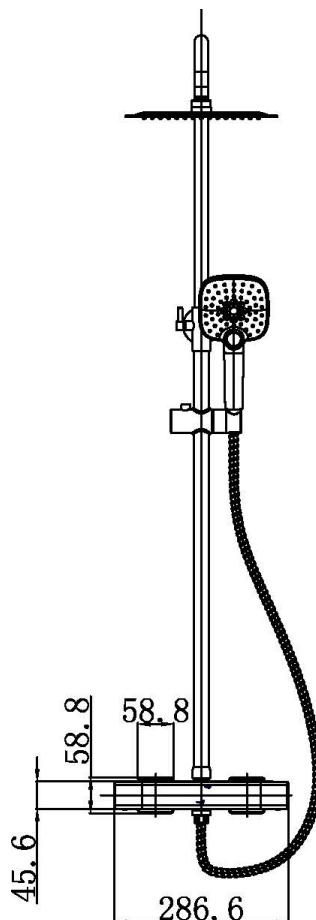
Always inspect before installation

Do not clean with abrasive cleaning products

WRAS approved



Pressure (Bar)	Flow Rate (Litres per Minute)	
	Handset	Overhead
0.5BAR	4.07	4.95
1.0BAR	6.05	7.82
1.5BAR	7.68	9.68
2.0BAR	8.88	11.32
2.5BAR	10.13	12.67
3.0BAR	11.43	14.03
3.5BAR	12.35	15.02
4.0BAR	13.03	16.12
4.5BAR	13.98	17.12
5.0BAR	14.68	17.98



'The information contained within this specification sheet is believed to be correct and complete at the time of creation. All photographs / drawings are as a guide only and do not necessarily represent the products available. The Highbourne Group reserves the right to change product details and price without prior notice. E&OE.' [11/2024]