

# TECHNICAL DATA SHEET

iflo

Product Code: 152192

Product Description: IFLO 5 MODE SHOWER KIT - CP

## Product Specification

### Material:

Solid STAINLESS STEEL with durable chrome finish

### Specification:

5 modes handset

With Soap Dish

Unadjustable

### Fittings:

Recessed fitting

### Systems:

Suitable for high and low pressure systems

Suitable for Gravity fed systems

Suitable for Unvented systems

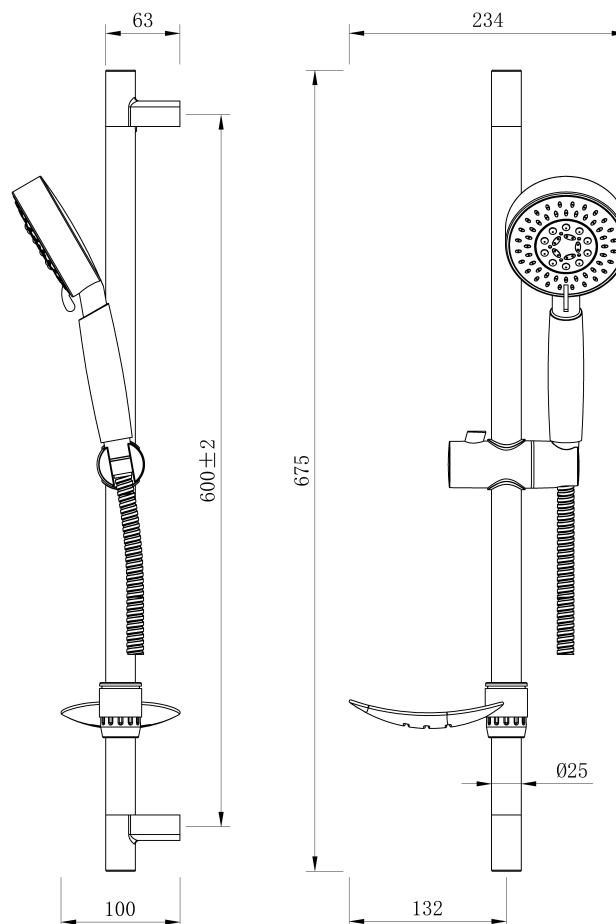


## Additional Information

Always inspect before installation

Hose Sold separately

Do not clean with abrasive cleaning products



The information contained within this specification sheet is believed to be correct and complete at the time of creation. All photographs / drawings are as a guide only and do not necessarily represent the products available. The Highbourne Group reserves the right to change product details and price without prior notice.