

TECHNICAL DATA SHEET



Product Code: 151826

Product Description: iflo Tatton Bath Shower Mixer Tap Brass

Product Specification

Material:
Solid brass with a duraglam chrome finish

Fittings:
Brass Back nuts

Systems:
Suitable for high and low pressure systems
Suitable for Gravity fed systems
Suitable for Unvented systems
Suitable for Combi boilers

Additional Information

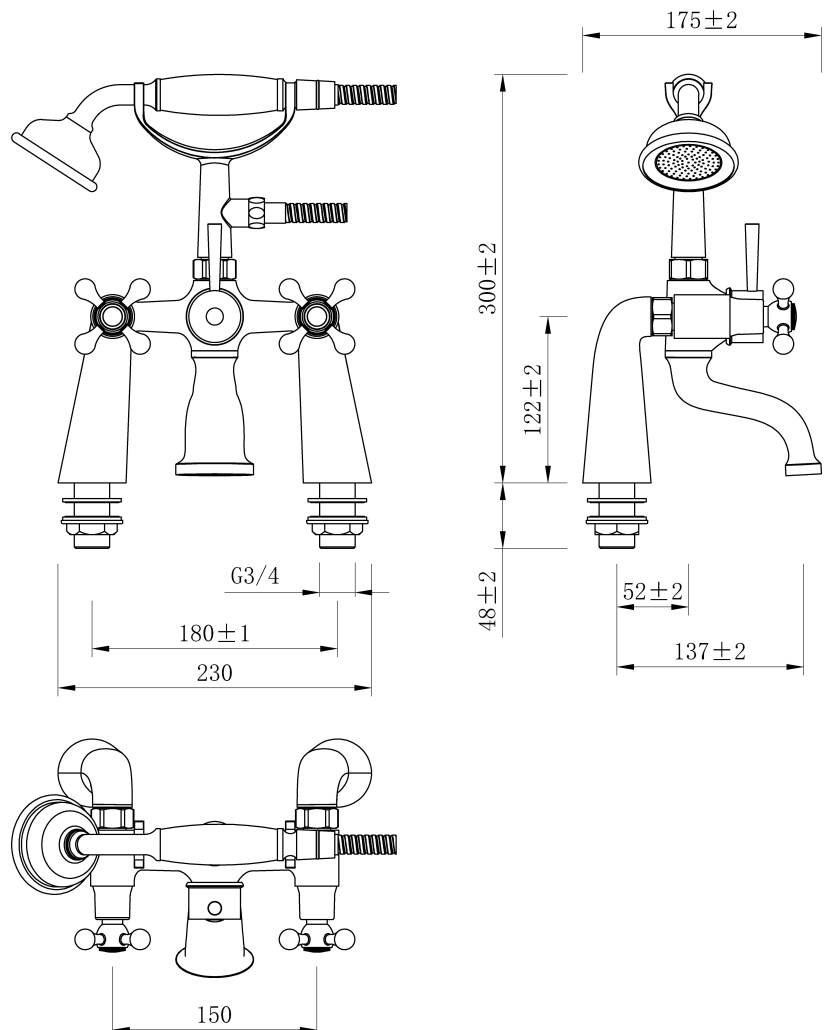
Always inspect before installation

Do not clean with abrasive cleaning products

WRAS approved



Pressure(bar)	Flow Rate(L/Min)
0.3	7.2
0.4	8.5
0.5	9.8
0.6	10.8
0.7	11.7
0.8	12.5
0.9	13.3
1	14.1
2	19.9
3	24.1



The information contained within this specification sheet is believed to be correct and complete at the time of creation. All photographs / drawings are as a guide only and do not necessarily represent the products available. The Highbourne Group reserves the right to change product details and price without prior notice.