

TECHNICAL DATA SHEET



Product Code: 151812

Product Description: iflo Tay Basin Mixer

Product Specification

Material:

Solid brass with a duragleam Brushed Brass finish

Fittings:

Single stud fixing kit

Systems:

Suitable for high and low pressure systems

Suitable for Gravity fed systems

Suitable for Unvented systems

Suitable for Combi boilers

Additional Information

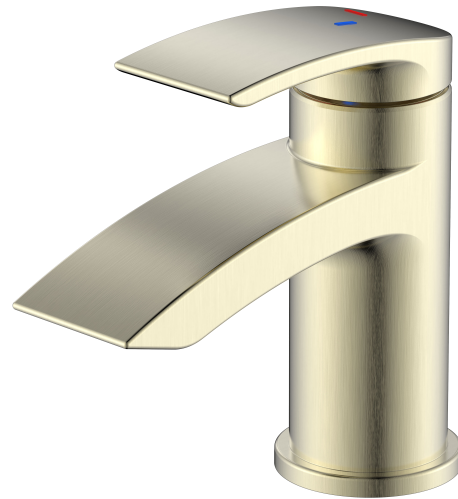
Always inspect before installation

Do not clean with abrasive cleaning products

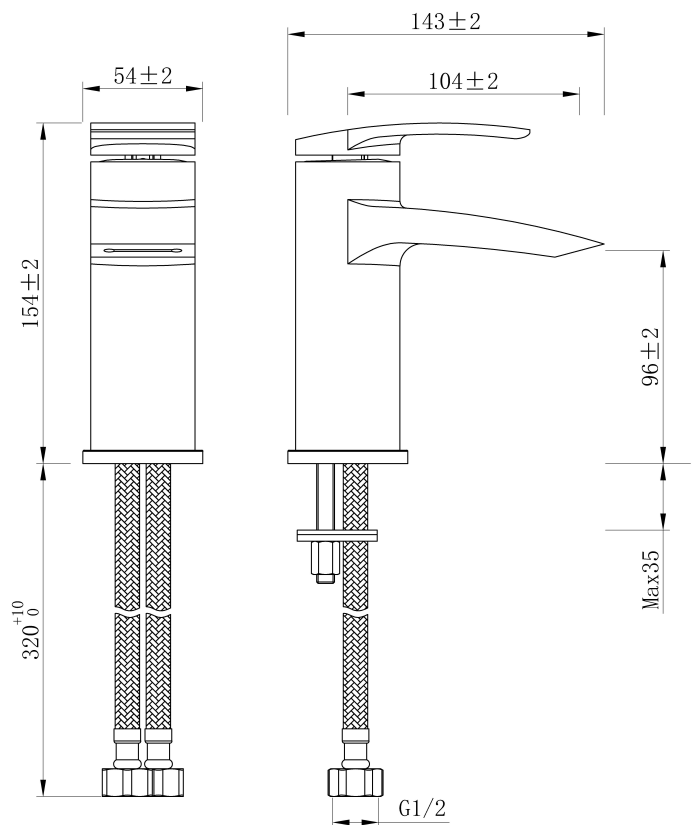
WRAS approved

Cold Start

Lever style handles for ease of use



Pressure(bar)	Flow Rate(L/Min)
0.3	3.12
0.4	5.21
0.5	6.34
0.6	7
0.7	7.61
0.8	8.16
0.9	8.71
1	9.19
2	13.1
3	16.2



The information contained within this specification sheet is believed to be correct and complete at the time of creation. All photographs / drawings are as a guide only and do not necessarily represent the products available. The Highbourne Group reserves the right to change product details and price without prior notice.